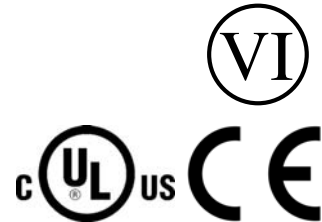




60W Single Port Multi -Gig Passive Power over Ethernet Midspan



Features

- Single Source 4 Pair Power Current Sharing
- Non-Vented Case
- 4 Pair Powering +3,6,4,5 / - 1,2,7,8
- 1 Year Warranty
- Limited Power Source
- Full Protection OVP, OCP
- Broken Wire Detection
- Gigabit Compatible

Applications

- IP Telephones
- Wireless Access Points
- Bluetooth® Access Points
- Security Cameras
- IP Print Servers
- WiMAX® Access Points

Safety Approvals

- UL/cUL 60950-1
- UL/cUL 62368-1
- IEC60950-1
- IEC62368-1
- CE

Mechanical Characteristics

- Length: 140mm (5.51in.)
- Width: 65mm (2.55in.)
- Height: 36mm (1.42in.)
- Weight: 0.25Kg (0.47lbs)

Output Specifications

Model	AC Input	Data Rate	DC Output Voltage	Load		Regulation ¹	
				Min.	Max. ²	Line	Load
POE60U-560-R ³	3 Wire C14	1G	56V	10mA	1.07A	+56VDC +1V/-3V (57-53VDC)	
POE60U-560E-R	3 Wire C14	1G	56V	10mA	1.07A	+56VDC +1V/-3V (57-53VDC)	
POE60U-560-2-R	3 Wire C14	2.5G	56V	10mA	1.07A	+56VDC +1V/-3V (57-53VDC)	
POE60U-560-5-R	3 Wire C14	5G	56V	10mA	1.07A	+56VDC +1V/-3V (57-53VDC)	
POE60U-560-X-R	3 Wire C14	10G	56V	10mA	1.07A	+56VDC +1V/-3V (57-53VDC)	

Notes:

1. Voltage measured within 2" of the output RJ45 connector on data pairs 3,6(+) and 1,2(-)
2. Combined output on data pairs and spare pairs. Otherwise 535mA on data pairs 3,6(+) 1, 2(-) and spare pairs 4,5(+) 7,8(-)
3. Unshielded RJ45 jack

INPUT:**AC Input Voltage Range**
90VAC to 264VAC**AC Input Voltage Rating**
100 to 240VAC**AC Input Current**
2.0A (RMS) max for 900VAC
1.2A (RMS) max for 240VAC**Leakage Current**
3.5mA max @ 254VAC/50Hz**AC Inrush Current**
40A (RMS) max for 115VAC
80A (RMS) max for 240VAC**OUTPUT:****Total Output Power**
60W @40C
30W @50C
15W@60C**Output Ripple**
200mV max @25°C**Efficiency²**
80% (typical) at max load,120VAC 60Hz**Hold-up Time**
10mS min. 120VAC/60Hz max load**ENVIRONMENTAL:****Temperature**Operation -10°C to +60°C for 60W
Non-operation -20°C to +65°C
Humidity 5 to 90%**EMI**Complies with FCC Part 15 Class B
Complies with EN55032 Class B**Isolation Test**Primary to Secondary: 4242VDC for 1min
10mA
Primary to Field Ground: 2121VDC for 1min,
10mA**Immunity**ESD: IEC61000-4-2. Level 3
RS: IEC61000-4-3. Level 3
EFT: IEC61000-4-4. Level 2
Surge: IEC61000-4-5. Level 3
CS: IEC61000-4-6. Level 2
Voltage Dips IEC61000-4-11 Class 3
Harmonic: IEC61000-3-2 Class A**Insulation Resistance**Primary to Secondary: >10M OHM 500VDC
Primary to Field Ground: >10M OHM
500VDC**FEATURES:****Over Current Protection**Output #1(OUT) <650mA
Output #2(OUT) <650mA
Output #1 and #2 Combined(OUT) <1300mA**Over Voltage Protection**

Meets UL requirements

Short Circuit ProtectionOutput can be shorted permanently without
damage**LED Indicators***Green Solid* - Power good and output "ON"**Input Connector**

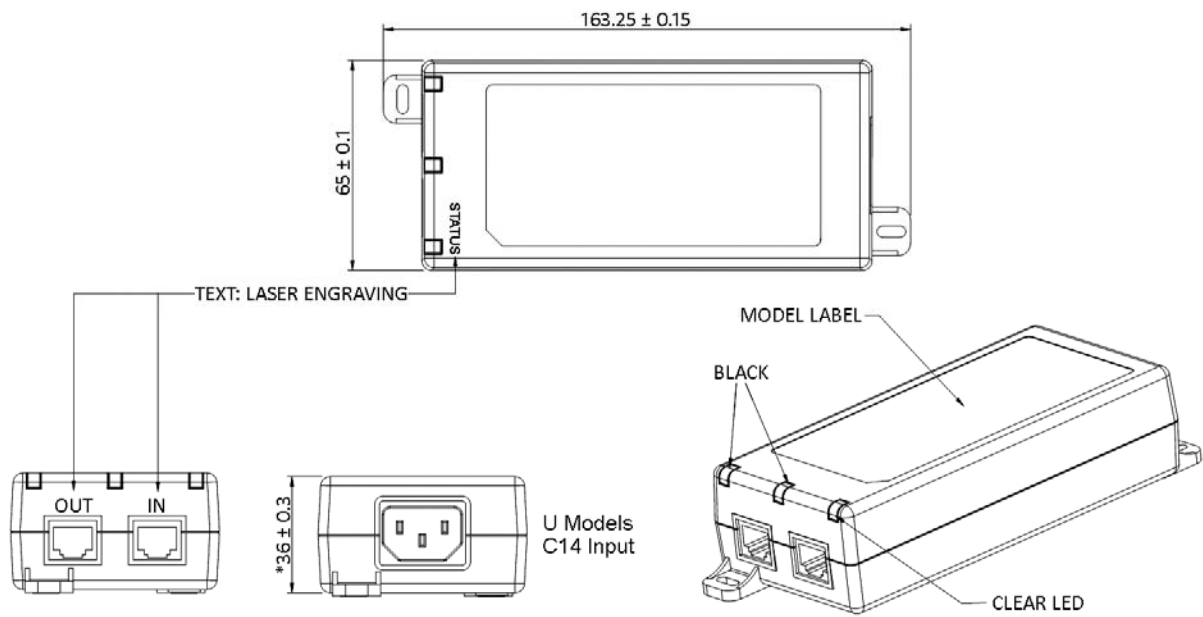
IEC320 inlet 3 pin

Output Connection

+pins 3,6,4,5 / -pins 1,2,7,8

Notes:

1. The characteristics defined are at ambient temperature of 25°C unless otherwise specified
2. Efficiency is measured after 30 minutes burn-in



Supplier's Declaration of Conformity
47 CFR § 2.1077 Compliance Information

Phihong USA Corporation
47800 Fremont Boulevard
Fremont, CA 94538
Telephone: (510) 445-0100
www.phihong.com

NOTE: This model has/The models in this products series have been tested and found to comply with the limits for a Class B digital device, pursuant to part 15 of the FCC Rules. These limits are designed to provide reasonable protection against harmful interference in a residential installation. This equipment generates, uses and can radiate radio frequency energy and, if not installed and used in accordance with the instructions, may cause harmful interference to radio communications. However, there is no guarantee that interference will not occur in a particular installation. If this equipment does cause harmful interference to radio or television reception, which can be determined by turning the equipment off and on, the user is encouraged to try to correct the interference by one or more of the following measures:

- Reorient or relocate the receiving antenna.
- Increase the separation between the equipment and receiver.
- Connect the equipment into an outlet on a circuit different from that to which the receiver is connected.
- Consult the dealer or an experienced radio/TV technician for help.

Changes or modifications to equipment not expressly approved by PHIHONG could void the user's authority to operate the equipment.