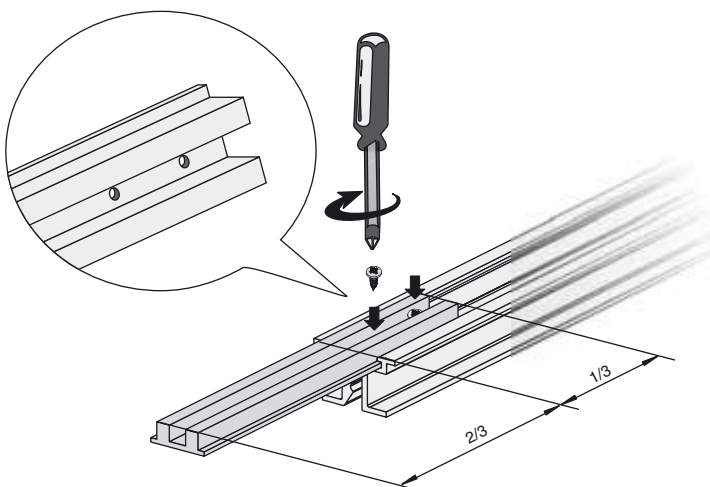


## Dimensions



### Model number

**WCS3-MC1**

Joint

### Features

- Connector for aluminum profile rails WCS3-PS1

### Matching system components

**WCS3-PS1**

WCS3 profile rail

## Technical data

### Mechanical specifications

Material	Aluminum
Mass	100 g
Dimensions	(W x H x D) : 8 mm x 20 mm x 175 mm

## Notes

Connectors are necessary for joining the aluminum profile rails. Each connector (WCS3-MC1) consists of a 170 mm long aluminium extruded section and two selftapping screws M3 x 4.5 mm. The connector is pushed into the bottom grooves in the two profile rails to be joined. Then the screws are screwed into the holes (1.8 mm in diameter). The tips of the screws are pressed into the aluminium profile and hold the connector down.