



**Model number**

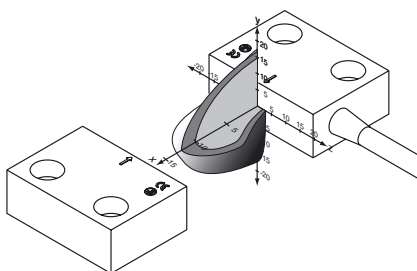
**VAA-2E-IER2-S-1M-V1**

Reed safety switch for non-contact AS-Interface safety switches

**Features**

- Small plastic housing
- Encapsulated electronics
- Especially suited to small doors and coverings
- Multiple-flush magnet system
- Cable with M12 plug

**Operating distance**



**Accessories**

**VAZ-T1-FK-G10-V1**

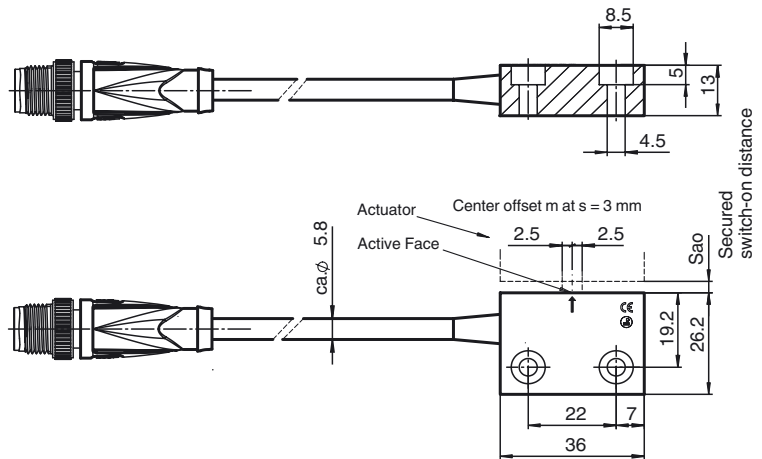
Splitter box G10, AS-Interface to M12

**Matching system components**

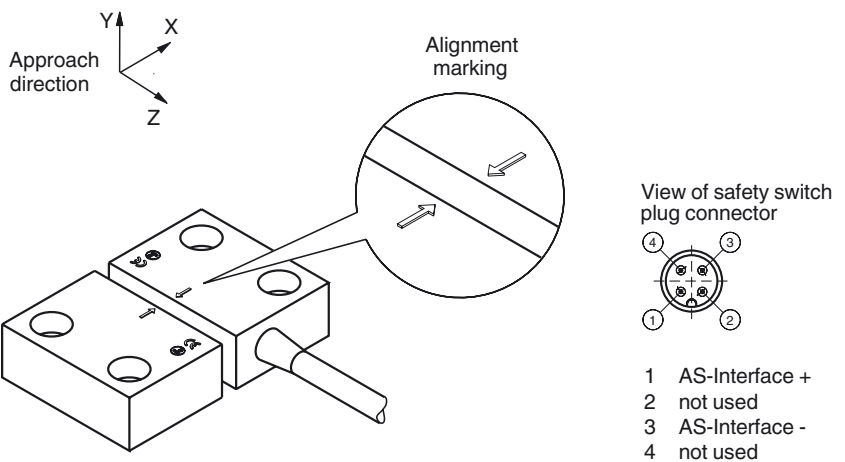
**VAZ-IER2-ACTUATOR2-S**

Actuator for non-contact AS-Interface Reed safety switch

**Dimensions**



**Indicating / Operating means**



**Technical data**

**General specifications**

Detection type		magnetic
assured start-up distance	$S_{a0}$	7 mm
assured release distance	$S_{ar}$	$\leq 40$ mm
Center offset	$m$	$\pm 2.5$ mm at distance $s = 3$ mm
Slave type		Safety-Slave
AS-Interface specification		V2.1
Required master specification		$\geq V2.0$
Response delay		$< 5$ ms
UL File Number		E155795

**Functional safety related parameters**

Safety Integrity Level (SIL)		SIL 3
Performance level (PL)		PL e
Mission Time ( $T_M$ )		20 a
$PFH_d$		4.29 E-8

**Electrical specifications**

Rated operating voltage	$U_e$	26.5 ... 31.6 V from AS-Interface
Rated operating current	$I_e$	$\leq 30$ mA
Power supply		via AS-Interface network

**Directive conformity**

Electromagnetic compatibility		
Directive 2014/30/EU		EN 62026-2:2013 IEC 60947-5-3:1999
Machinery Directive		
Directive 2006/42/EC		EN ISO 12100-1, -2:2003 EN 1088:1995+A2:2008

**Standard conformity**

Degree of protection		EN 60529:2000
AS-Interface		EN 62026-2:2013

Release date: 2019-01-09 10:01 Date of issue: 2019-01-09 211352\_eng.xml

Functional safety	ISO 13849-1:2008 (up to category 3/PL e) EN ISO 12100-1, -2:2003 EN 1088:1995+A2:2008
<b>Programming instructions</b>	
Profile	S-0.B
IO code	0
ID code	B
ID1 code	F
ID2 code	E
<b>Data bits</b> (function via AS-Interface)	<b>Input</b>
D0	dyn. safety code 1
D1	dyn. safety code 1
D2	dyn. safety code 2
D3	dyn. safety code 2
<b>Parameter bits</b> (programmable via AS-i)	
P0	IN1
P1	IN2
P2	IN3
P3	IN4
<b>Ambient conditions</b>	
Ambient temperature	-20 ... 60 °C (-4 ... 140 °F)
Shock and impact resistance	30 g/11 ms
<b>Mechanical specifications</b>	
Degree of protection	IP67
Connection	with fixed cable and M12 connector, 4-pin
Material	
Housing	PPS
Cable	PUR
Installation	any position
Cable length	1 m
Life span	100 x 10 <sup>6</sup> switching cycles