

RFID Transponder

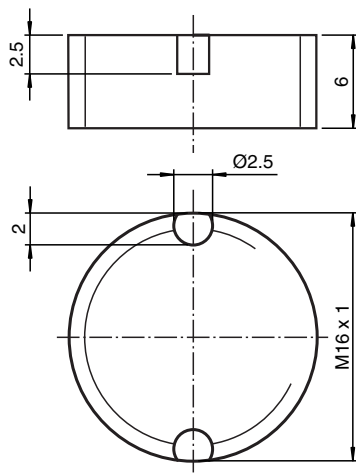
IPC03-16GK

- Battery-free data carrier
- 32 bit fixcode
- 928 bits memory available
- Flush mounting in metal
- Degree of protection IP67

Data carrier



Dimensions



Technical Data

General specifications	
Operating frequency	125 kHz
Transfer rate	2 kBit/s
Functional safety related parameters	
MTTF _d	3400 a
Mission Time (T _M)	20 a
Diagnostic Coverage (DC)	0 %
Memory	
Chip Type	EM4450 Titan (EM Microelectronic)
EEPROM	928 Bit
Read cycles	unlimited
Write cycles	> 100000
Data retention period	10 years at 55 °C (131 °F)
Directive conformity	
Radio equipment	
Directive 2014/53/EU	EN 300330
RoHS	
Directive 2011/65/EU (RoHS)	EN 50581
Standard conformity	
Degree of protection	EN 60529

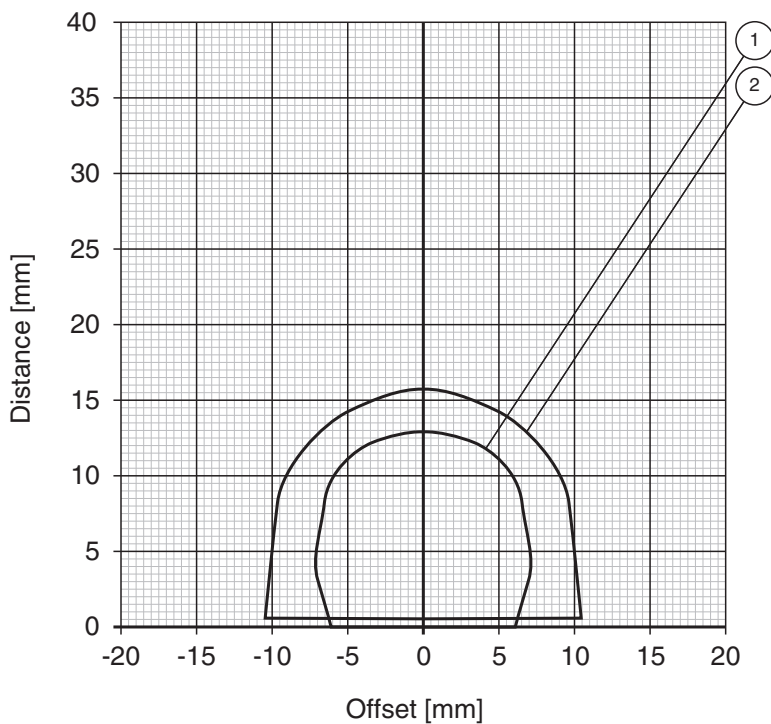
Release date: 2020-03-23 Date of issue: 2020-03-27 Filename: 119466_eng.pdf

Refer to "General Notes Relating to Pepperl+Fuchs Product Information".

Technical Data

RFID	ISO/IEC 18000-2
Ambient conditions	
Ambient temperature	-25 ... 70 °C (-13 ... 158 °F)
Storage temperature	-40 ... 85 °C (-40 ... 185 °F)
Mechanical specifications	
Degree of protection	IP67
Material	
Housing	PBT
Encapsulation compound	CY 221/HY 2966
Installation	
In metal	yes
On metal	yes
In air	yes
Mass	2 g
Construction type	Cylindrical

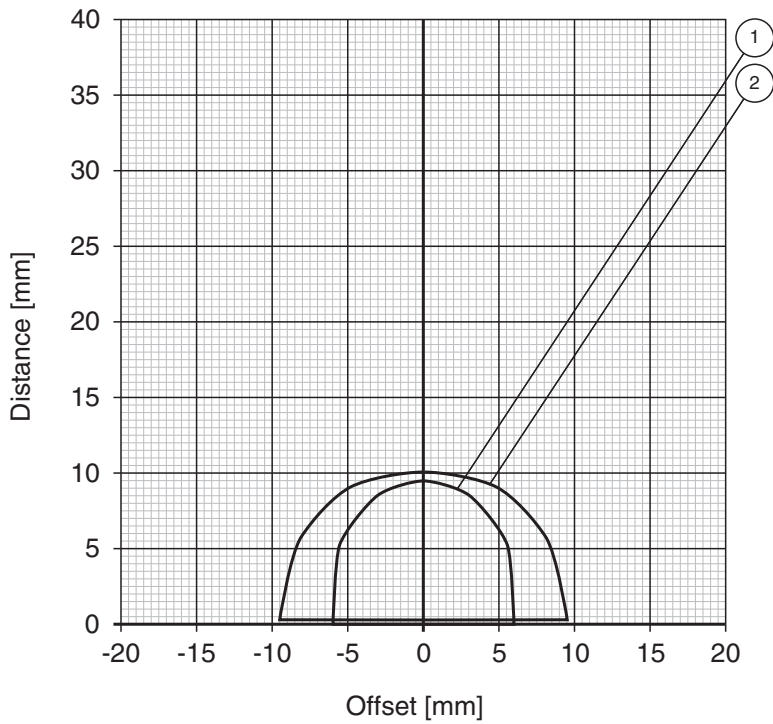
Reading range mounted flush in aluminium IPC03-16GK



Release date: 2020-03-23 Date of issue: 2020-03-27 Filename: 119466_eng.pdf

Refer to "General Notes Relating to Pepperl+Fuchs Product Information".

Writing range mounted flush in aluminium IPC03-16GK



Release date: 2020-03-23 Date of issue: 2020-03-27 Filename: 119466_eng.pdf

Refer to "General Notes Relating to Pepperl+Fuchs Product Information".

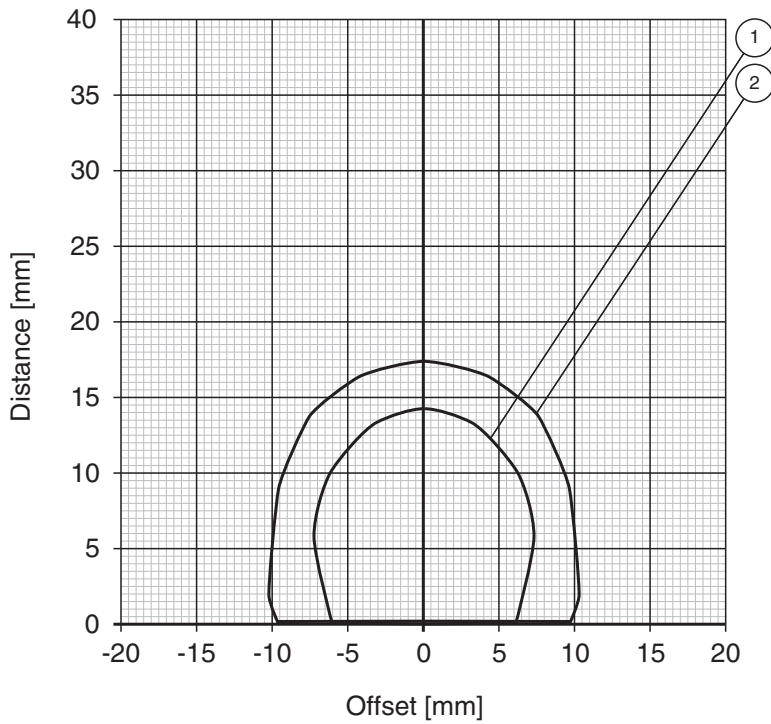
Pepperl+Fuchs Group
www.pepperl-fuchs.com

USA: +1 330 486 0001
fa-info@us.pepperl-fuchs.com

Germany: +49 621 776 1111
fa-info@de.pepperl-fuchs.com

Singapore: +65 6779 9091
fa-info@sg.pepperl-fuchs.com

Reading range mounted flush in steel IPC03-16GK



Release date: 2020-03-23 Date of issue: 2020-03-27 Filename: 119466_eng.pdf

Refer to "General Notes Relating to Pepperl+Fuchs Product Information".

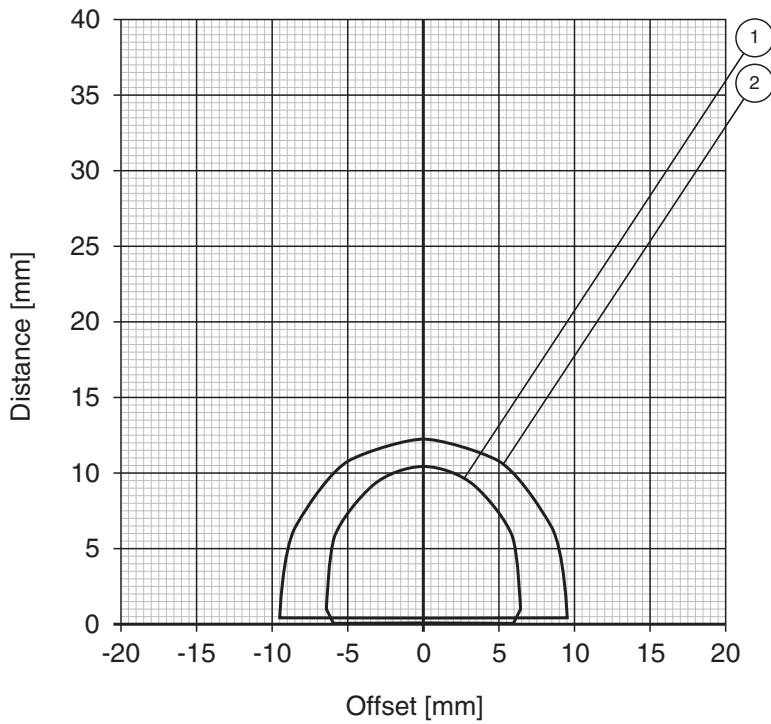
Pepperl+Fuchs Group
www.pepperl-fuchs.com

USA: +1 330 486 0001
fa-info@us.pepperl-fuchs.com

Germany: +49 621 776 1111
fa-info@de.pepperl-fuchs.com

Singapore: +65 6779 9091
fa-info@sg.pepperl-fuchs.com

Writing range mounted flush in steel IPC03-16GK



- | | | | |
|---------------|-------------|--------------|--------------|
| ① IPH-18GM-V1 | ③ IPH-F61 | ⑤ IPH-FP-V1 | ⑦ IPT1-FP-V1 |
| ② IPH-30GM-V1 | ④ IPH-L2-V1 | ⑥ IPH-F15-V1 | |

Release date: 2020-03-23 Date of issue: 2020-03-27 Filename: 119466_eng.pdf

Mounting

The surface containing the text must face the read/write head.

Release date: 2020-03-23 Date of issue: 2020-03-27 Filename: 119466_eng.pdf

Refer to "General Notes Relating to Pepperl+Fuchs Product Information".

Pepperl+Fuchs Group
www.pepperl-fuchs.com

USA: +1 330 486 0001
fa-info@us.pepperl-fuchs.com

Germany: +49 621 776 1111
fa-info@de.pepperl-fuchs.com

Singapore: +65 6779 9091
fa-info@sg.pepperl-fuchs.com

 **PEPPERL+FUCHS**