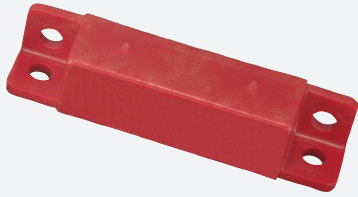


# Magnetic Actuation

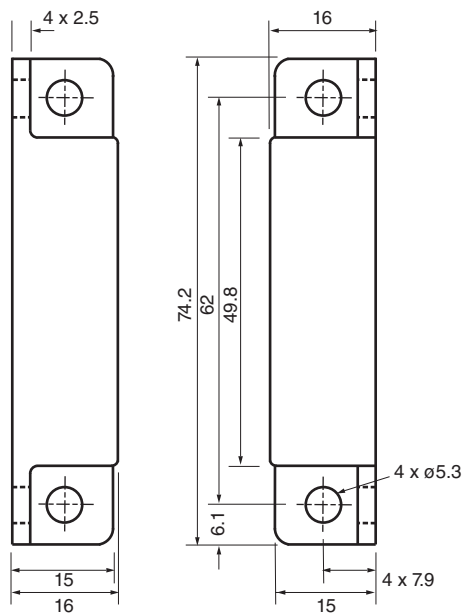
## 41FY1



- Magnet Actuator
- Compatible with 40FY Series



### Dimensions



### Technical Data

#### General specifications

Rated operating distance	$S_n$	6.4 ... 15.2 mm
Installation		
Output polarity		

#### Nominal ratings

Switching state indicator	NO contact
---------------------------	------------

#### Standard conformity

Standards	EN 60947-5-2
-----------	--------------

#### Approvals and certificates

UL approval	cULus Listed, General Purpose
CSA approval	cCSAus Listed, General Purpose

Release date: 2020-03-23 Date of issue: 2020-03-30 Filename: 450046\_eng.pdf

Refer to "General Notes Relating to Pepperl+Fuchs Product Information".

Pepperl+Fuchs Group  
www.pepperl-fuchs.com

USA: +1 330 486 0001  
fa-info@us.pepperl-fuchs.com

Germany: +49 621 776 1111  
fa-info@de.pepperl-fuchs.com

Singapore: +65 6779 9091  
fa-info@sg.pepperl-fuchs.com

PEPPERL+FUCHS

**Technical Data****Ambient conditions**

Ambient temperature	-30 ... 70 °C (-22 ... 158 °F)
---------------------	--------------------------------

**Mechanical specifications**

Housing material	Polycarbonate
Sensing face	Polycarbonate
Degree of protection	IP67