

Model No.: XXLS-P835037

Rev: 1

Product Line: Peerless

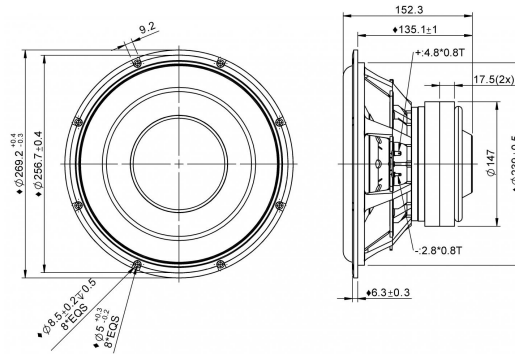
Last Update: 2017-04-25 21:32:09

Product Description

This member of the XXLS product family has all the design features suitable for a high performance, high excursion subwoofer driver. The motor features a double ferrite magnet motor, supporting high excursion, and aluminium shorting rings and pole extenders, lowering and linearizing the inductance of the overhung voice coil. The light & stiff composite paper cone is vented under the dust cap, to reduce air compression. The suspension system features a low-creep rubber surround, and a nomex spider, ensuring long-term reliability under high power conditions. The product also features a rigid cast aluminium basket.



Mechanical Drawing



Specifications

| | | | | | | | | |
|-------------------------------|-------------|--------|-------|-----------|----------------------------|------|--------------|-------|
| DC Resistance | Revc | Ohms | 2.71 | 5.0% | Energy Bandwidth Product | EBP | (1/Qes)*fs | |
| Minimum Impedance | Zmin | Ohms | 3.57 | 7.5% | Moving Mass | Mms | g | 93.8 |
| Voice Coil Inductance | Le | mH | 0.5 | | Suspension Compliance | Cms | um/N | 337.9 |
| Resonant Frequency | Fs | Hz | 28.27 | 15% | Effective Cone diameter | D | cm | 21 |
| Mechanical Q Factor | Qms | | 9.83 | | Effective Piston Area | Sd | cm^2 | 346.4 |
| Electrical Q Factor | Qes | 0.45 | | | Effective Volume | Vas | L | 56.93 |
| Total Q Factor | Qts | 0.43 | | | Motor Force Factor | BL | Tm | 10.07 |
| Ratio Fs/Qts | F | Fs/Qts | 66.37 | | Motor Efficiency Factor | β | (T*M^2)/Ohms | 37.4 |
| Half Space Sensitivity @2.83V | db@2.83V/1M | dB | 90.02 | +/- 1.0db | Voice coil former Material | VCfm | | GSV |
| Half Space Sensitivity @1W/1M | db@1W/1M | dB | 86.5 | +/- 1.0db | Voice coil inner diameter | VCd | mm | 51.32 |
| Gap Height | Gh | mm | 8 | | Rated Noise Power | P | W | 120 |
| Maximum Linear Excursion | Xmax | mm | 12.3 | | Test Spectrum Bandwidth | | 20Hz - 20kHz | |
| Ferrofluid Type | FF | | | | Driver Size | | Inch | 10 in |
| Driver Mass | Kg | 6.9 | | | | | | |

Frequency and Impedance Response

