

# Driver Specification Sheet

Model No.: TC7FD00-04  
 Product Line: Tymphany

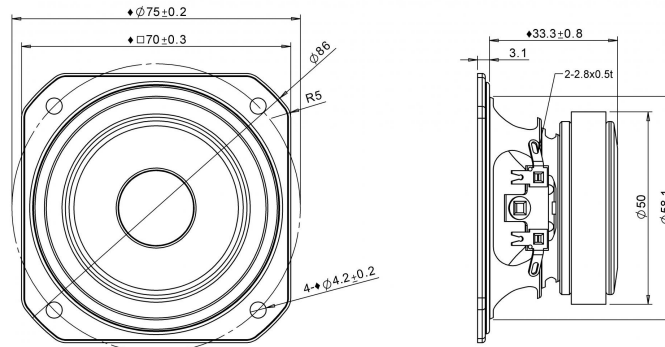
Rev: 1  
 Last Update: 2017-04-25 21:32:09

## Product Description

This TC family 2.5 inch 4 ohm full-range driver, with ferrite magnet, paper cone and rubber surround, and steel basket, is designed to be a cost-effective high performance full range driver. The cone utilizes Tymphany-patented PentaCut NRSC cone technology to help dampen and control cone resonances, optimizing the listening experience. The motor contains a copper cap to lower inductance and distortion. The product was designed with portable and other compact applications in mind.



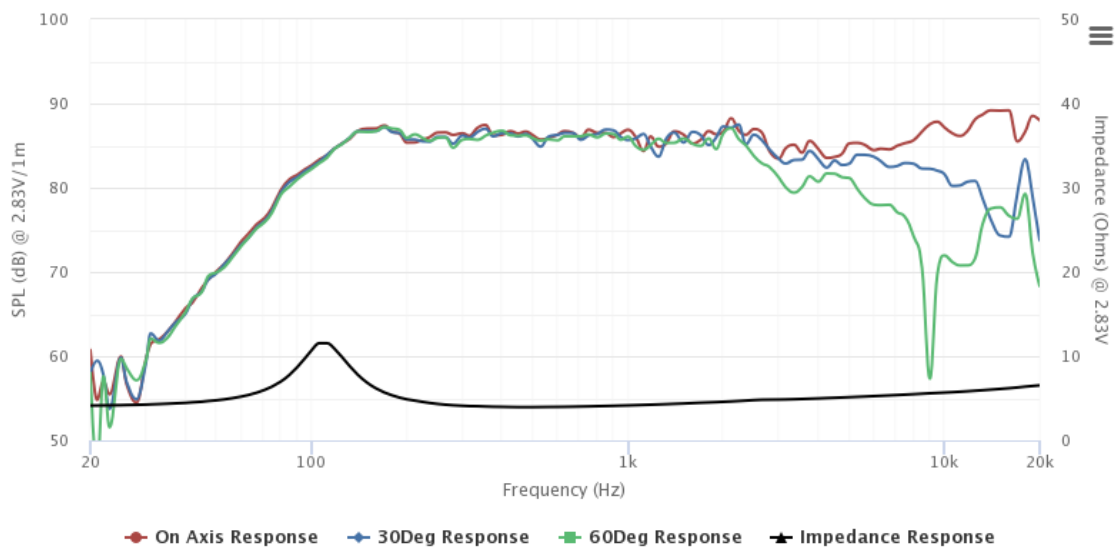
## Mechanical Drawing



## Specifications

DC Resistance	Revc	Ohms	3.22	5.0%	Energy Bandwidth Product	EBP	(1/Qes)*fs	
Minimum Impedance	Zmin	Ohms	3.95	7.5%	Moving Mass	Mms	g	1.6
Voice Coil Inductance	Le	mH	0.02		Suspension Compliance	Cms	um/N	750.5
Resonant Frequency	Fs	Hz	143.42	15%	Effective Cone diameter	D	cm	5.3
Mechanical Q Factor	Qms		3.66		Effective Piston Area	Sd	cm <sup>2</sup>	22.1
Electrical Q Factor	Qes	1.22			Effective Volume	Vas	L	0.51
Total Q Factor	Qts	0.92			Motor Force Factor	BL	Tm	1.97
Ratio Fs/Qts	F	Fs/Qts	156.4		Motor Efficiency Factor	$\beta$	(T*M <sup>2</sup> )/Ohms	1.2
Half Space Sensitivity @2.83V	db@2.83V/1M	dB	86.36	+/- 1.0db	Voice coil former Material	VCfm		ASV
Half Space Sensitivity @1W/1M	db@1W/1M	dB	83.3	+/- 1.0db	Voice coil inner diameter	VCd	mm	19.32
Gap Height	Gh	mm	3		Rated Noise Power	P	W	20
Maximum Linear Excursion	Xmax	mm	1		Test Spectrum Bandwidth		130Hz - 20kHz	
Ferrofluid Type	FF				Driver Size	Inch	2.5 in	
Driver Mass	Kg	0.18						

## Frequency and Impedance Response



Highcharts.com