

Model No.: SLS-85S25CP04-04
 Product Line: Tymphany

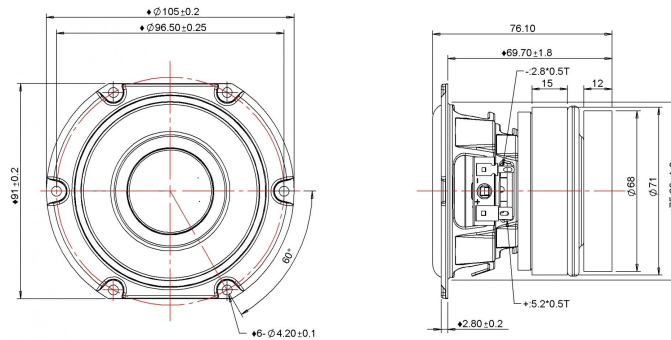
Rev: 1
 Last Update: 2017-04-25 21:32:09

Product Description

The SLS line combines high quality performance with an affordable design. This 3.5 inch 4 ohm member of the SLS family features a rigid steel basket, a coated paper cone, and a ferrite magnet motor with aluminium shorting ring for improved distortion performance.



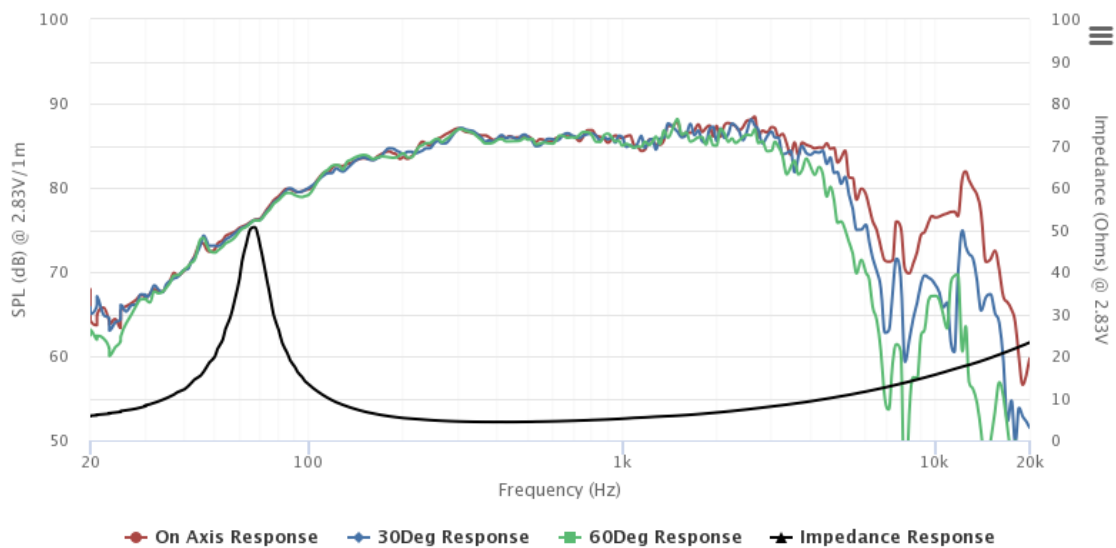
Mechanical Drawing



Specifications

| | | | | | | | | |
|-------------------------------|-------------|--------|--------|-----------|----------------------------|-----------|--------------|--------|
| DC Resistance | Revc | Ohms | 3.18 | 5.0% | Energy Bandwidth Product | EBP | (1/Qes)*fs | |
| Minimum Impedance | Zmin | Ohms | 4.37 | 7.5% | Moving Mass | Mms | g | 4.7 |
| Voice Coil Inductance | Le | mH | 0.16 | | Suspension Compliance | Cms | um/N | 1017.5 |
| Resonant Frequency | Fs | Hz | 72.57 | 15% | Effective Cone diameter | D | cm | 6.26 |
| Mechanical Q Factor | Qms | | 5.38 | | Effective Piston Area | Sd | cm^2 | 30.8 |
| Electrical Q Factor | Qes | | 0.37 | | Effective Volume | Vas | L | 1.39 |
| Total Q Factor | Qts | | 0.35 | | Motor Force Factor | BL | Tm | 4.31 |
| Ratio Fs/Qts | F | Fs/Qts | 210.34 | | Motor Efficiency Factor | β | (T*M^2)/Ohms | 5.9 |
| Half Space Sensitivity @2.83V | db@2.83V/1M | dB | 85.98 | +/- 1.0db | Voice coil former Material | VCfm | | KSV |
| Half Space Sensitivity @1W/1M | db@1W/1M | dB | 83.3 | +/- 1.0db | Voice coil inner diameter | VCd | mm | 25.73 |
| Gap Height | Gh | mm | 6 | | Rated Noise Power | P | W | 30 |
| Maximum Linear Excursion | Xmax | mm | 4.5 | | Test Spectrum Bandwidth | Fs-2.5KHZ | | |
| Ferrofluid Type | FF | | | | Driver Size | Inch | 3.5 in | |
| Driver Mass | Kg | | 0.88 | | | | | |

Frequency and Impedance Response



Highcharts.com