

Model No.: GBS-250F38CP01-04

Rev: 3

Product Line: Tymphany

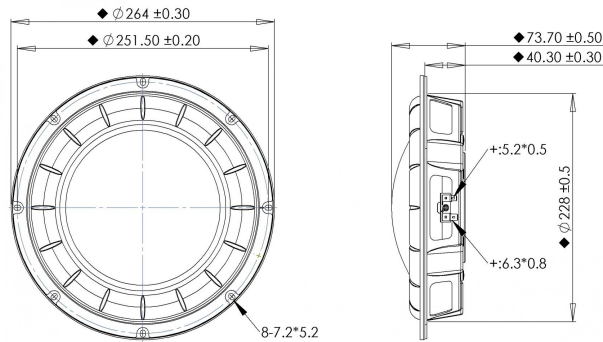
Last Update: 2019-10-31 00:32:59

## Product Description

This 10 inch 4 ohm transducer member of the GBS family provides a very slim woofer capable of large excursion. A highly optimized ferrite magnet and unique suspension layout combine to give a cost effective solution in a previously unavailable package.



## Mechanical Drawing



## Specifications

DC Resistance	Revc	Ohms	3.45	5.0%	Energy Bandwidth Product	EBP	(1/Qes)*fs	
Minimum Impedance	Zmin	Ohms	4.85	7.5%	Moving Mass	Mms	g	103.4
Voice Coil Inductance	Le	mH	2.36		Suspension Compliance	Cms	um/N	172.5
Resonant Frequency	Fs	Hz	37.69	15%	Effective Cone diameter	D	cm	20
Mechanical Q Factor	Qms		5.62		Effective Piston Area	Sd	cm^2	314.2
Electrical Q Factor	Qes	0.49			Effective Volume	Vas	L	23.92
Total Q Factor	Qts	0.45			Motor Force Factor	BL	Tm	13.11
Ratio Fs/Qts	F	Fs/Qts	83.37		Motor Efficiency Factor	β	(T*M^2)/Ohms	49.7
Half Space Sensitivity @2.83V	db@2.83V/1M	dB	87.99	+/- 1.0db	Voice coil former Material	VCfm		KSV
Half Space Sensitivity @1W/1M	db@1W/1M	dB	85.8	+/- 1.0db	Voice coil inner diameter	VCd	mm	38.75
Gap Height	Gh	mm	8		Rated Noise Power	P	W	200
Maximum Linear Excursion	Xmax	mm	6		Test Spectrum Bandwidth		50Hz-2000Hz	
Ferrofluid Type	FF				Driver Size	Inch	10 in	
Driver Mass	Kg	3.24						

## Frequency and Impedance Response

