

Model No.: GBS-135F25AL02-04

Rev: 1

Product Line: Tymphany

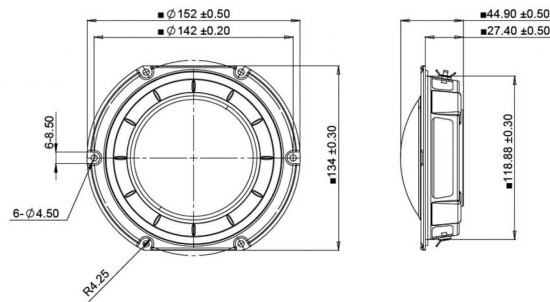
Last Update: 2017-03-03 09:00:02

Product Description

This 5.25 inch 4 ohm transducer member of the GBS family provides a very slim woofer capable of large excursion. An anodized Al cone helps to extend the piston bands in the working range. A highly optimized ferrite magnet and unique suspension layout combine to give a cost effective solution in a previously unavailable package.



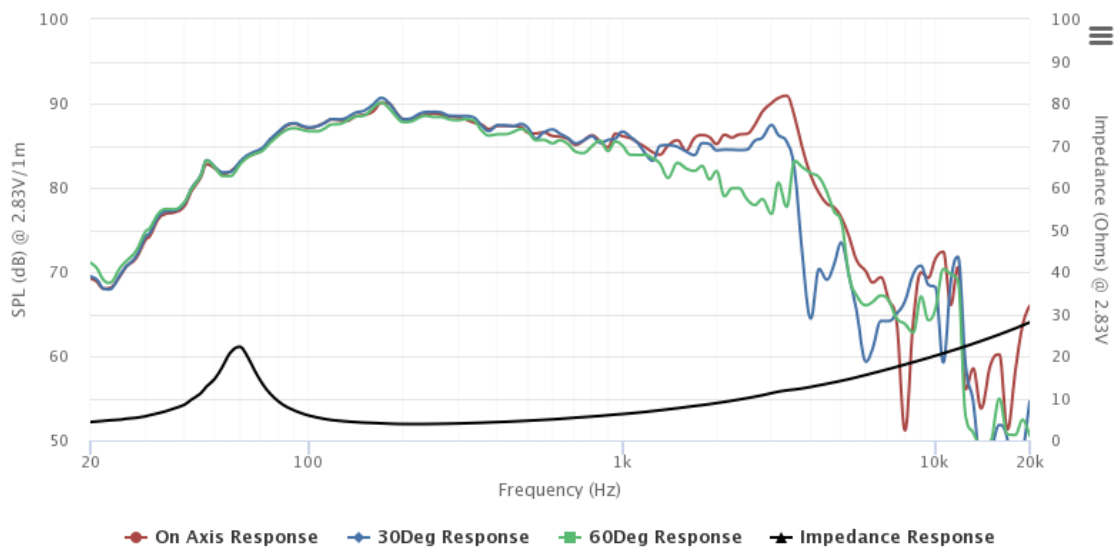
Mechanical Drawing



Specifications

DC Resistance	Revc	Ohms	3.28	5.0%	Energy Bandwidth Product	EBP	(1/Qes)*fs	
Minimum Impedance	Zmin	Ohms	3.88	7.5%	Moving Mass	Mms	g	12.3
Voice Coil Inductance	Le	mH	0.21		Suspension Compliance	Cms	um/N	519.1
Resonant Frequency	Fs	Hz	62.97	15%	Effective Cone diameter	D	cm	10.45
Mechanical Q Factor	Qms		4.12		Effective Piston Area	Sd	cm ²	85.7
Electrical Q Factor	Qes		0.66		Effective Volume	Vas	L	5.35
Total Q Factor	Qts		0.57		Motor Force Factor	BL	Tm	4.91
Ratio Fs/Qts	F	Fs/Qts	110.47		Motor Efficiency Factor	β	(T*M ²)/Ohms	7.4
Half Space Sensitivity @2.83V	db@2.83V/1M	dB	88.45	+/- 1.0db	Voice coil former Material	VCfm		ASV
Half Space Sensitivity @1W/1M	db@1W/1M	dB	85.3	+/- 1.0db	Voice coil inner diameter	VCd	mm	25.5
Gap Height	Gh	mm	6		Rated Noise Power	P	W	35
Maximum Linear Excursion	Xmax	mm	3.3		Test Spectrum Bandwidth		50Hz-20kHz	
Ferrofluid Type	FF				Driver Size	Inch	5.25 in	
Driver Mass	Kg		0.8					

Frequency and Impedance Response



Highcharts.com