

Reinforced USBFTV MEMORY KEYS

Derived from MIL-DTL-38999 series III specification • from 512 MB to 64 GB



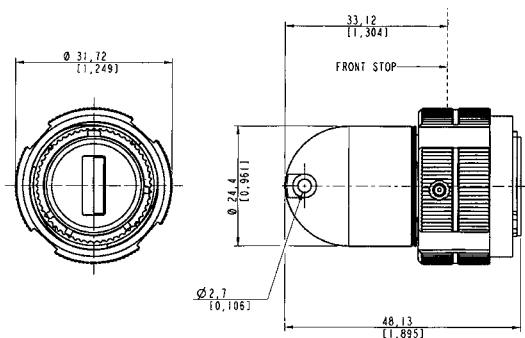
We provide reinforced USB memory keys available in different capacities. They can be used **ONLY** with our USBFTV series receptacles. When mated on the receptacle, the system is IP68.

Environmental Protection

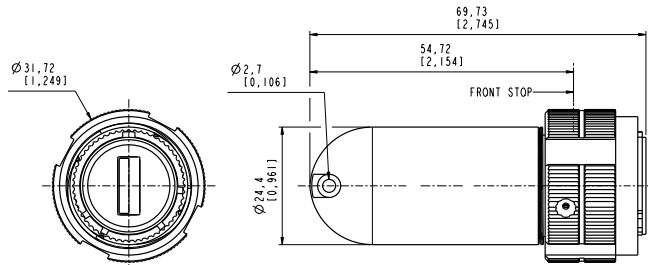
- Sealing: IP68 (when mated)
- Salt Spray: 48 h with Nickel plating (ROHS)
> 500 h with Olive Drab Cadmium
- Vibrations: MIL-STD-810F method 514.5 fig 514.5.C cat 14
- Temperature Range: - 40°C / +85°C (MIL-STD-810F)
- Data transmission during vibration & temperature tests

Other features

- Type: USB2.0
- Voltage: 5V DC - 500 mA max
- Electromagnetic compatibility: 89/336/EEC and Part 15 Class B



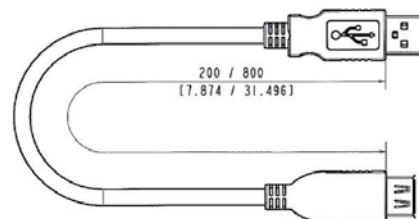
Up to memory size 4GB



From 8 to 64 GB

IMPORTANT NOTE

USBFTV memory key to be used with USBF TV receptacle. See page 25 to 30



USB cordset is included with each memory key

DEFINITION OF PART NUMBER

| USBFTV KEY 6 | A | 64 | N | CAP |
|---|--|--|--|---|
| Beginning of every USBFTV Key part number. Remains unchanged. | CODING POSITION: A: coding A B: coding B | CAPACITY OF YOUR USBFTV KEY: 0512 1024 2048 4096 8192 16384 16384GT** 32768 64 Other capacity, please consult us at contact@usbfield.com | PLATING: "N": nickel plating "G": olive drab cadmium NB: please check the plating of your USBFTV receptacle | Cap: With cap Blank: Without cap |
| | *The coding can be changed on the receptacle counter part using our tool USBFODE | | | |

** GT: Fast Data Transfert

EXAMPLE: **USBFTVKEY6A0512N:** USBFTV KEY – CODING A – CAPACITY OF 512MB – NICKEL PLATING

EXAMPLE: **USBFTVKEY6A1024GCAP:** USBFTV KEY – CODING A – CAPACITY OF 1024MB – OLIVE DRAB CADMIUM PLATING - PROTECTIVE CAP