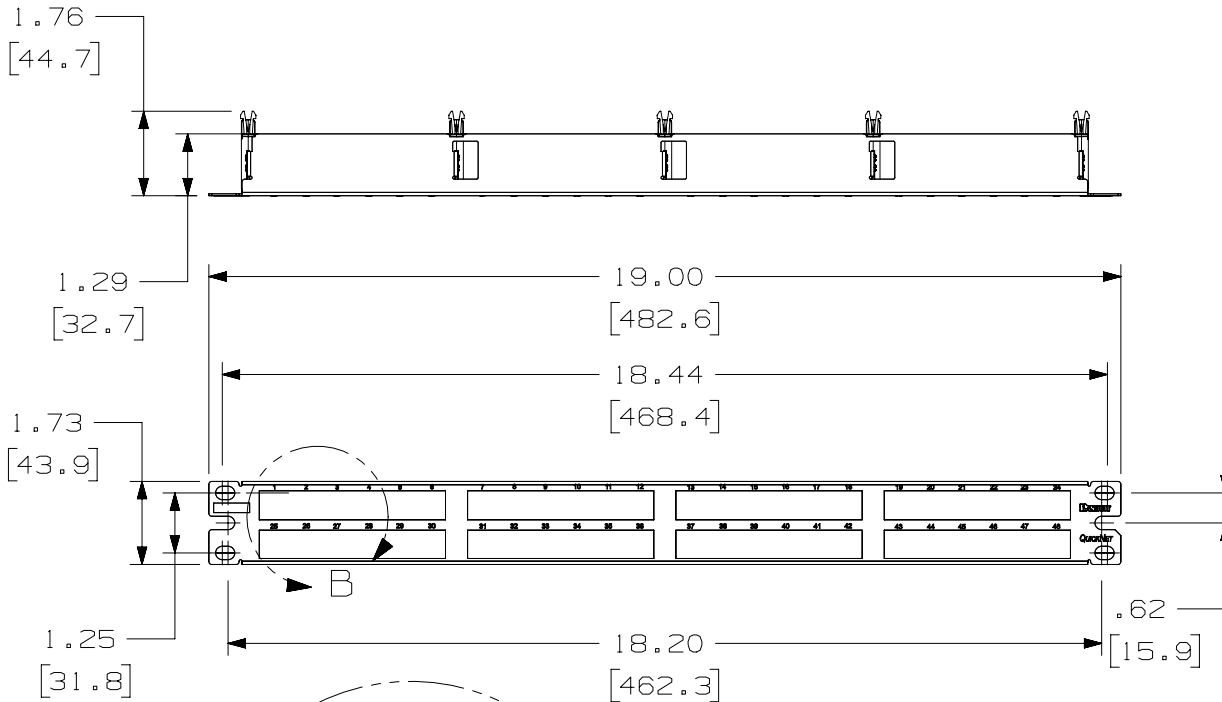
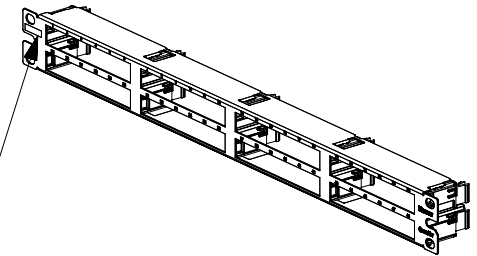


THIS COPY IS PROVIDED ON A RESTRICTED BASIS AND IS NOT TO BE USED IN ANY WAY DETRIMENTAL TO THE INTERESTS OF PANDUIT CORP.

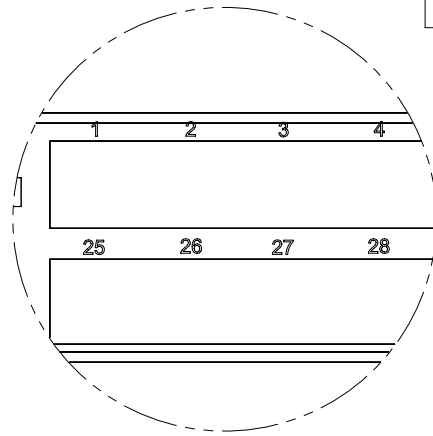


PANDUIT PART NO.	WEIGHT (APPOX.)
QPP48HDVNSBL	0.65 lb (294.8 g)
QPP48HDVNSWH	0.65 lb (294.8 g)

- NOTES:
- SEE CURRENT CATALOG FOR VARIOUS APPLICATIONS.
 - THE PATCH PANEL HAS A VERTICAL NUMBERING SEQUENCE AND IS DESIGNED FOR MOUNTING TO 19" UNIVERSAL RACKS.
 - DIMENSIONS IN BRACKETS ARE IN METRIC.
 - PACKAGE CONTENTS:
 1- METAL STAMPING WITH SLIDE GUIDES
 1- SCREW KIT (INCLUDES FOUR #12-24 SCREWS)
 1- SCREW KIT (INCLUDES FOUR M6 SCREWS)
 - QPP48HDVNSBL IS BLACK WITH WHITE SILKSCREENING.
 QPP48HDVNSWH IS WHITE WITH BLACK SILKSCREENING.



QPP48HDVNSWH HAS NO MARKING PAD



DETAIL B

PART NUMBER		QPP48HDVNSBL / QPP48HDVNSWH	
TITLE			
QUICKNET 48 PORT PATCH PANEL WITH VERTICAL NUMBERING SEQUENCE		CUSTOMER DRAWING	
ITEM REVISION NAME		M02582DK/01	
DATASET FILE NAME		M02582DK_DC63/01A	
UNLESS OTHERWISE SPECIFIED, DIMENSIONAL TOLERANCES ARE: IN [mm]		MATERIAL:	
.x ± .xxx ± .010 [.3]		PANEL: C.R.S.	
.xx ± .03 [.8]		GUIDES: ABS	
THIRD ANGLE PROJECTION		DRAWING NUMBER:	
02582-63		02582-63	
DRAWN BY	DATE	CHK	SCALE
MDJr	9-01-06	WFMI	NONE
REV	DATE	BY	CHK
2	12-28-17	BAME	KRKE
1	5/23/14	JSP	REFR
R	1-02-08	MDJr	WFMI
APR	TRW	DESCRIPTION	
M09000HA		ECN	
02582-63		SHT 1 OF 1	
02582-63		A	

D10100DA/14