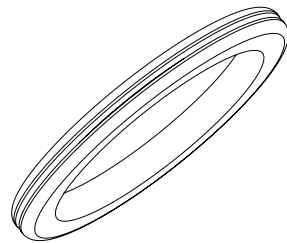
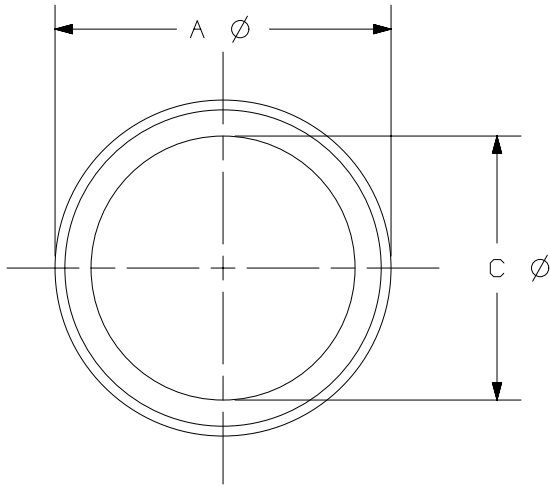


THIS COPY IS PROVIDED ON A RESTRICTED BASIS AND IS NOT TO BE USED IN ANY WAY DETRIMENTAL TO THE INTERESTS OF PANDUIT CORP.



NOTES:

1. VISIT OUR ON-LINE CATALOG AT WWW.PANDUIT.COM FOR A LIST OF CURRENT PARTS APPLICABLE FOR USE WITH THIS PRODUCT.
2. DIMENSIONS IN [] ARE METRIC.
3. PRODUCT AND PACKAGING MUST COMPLY TO PANDUIT SPECIFICATION FOR CHEMICAL SUBSTANCES TO BE CONTAINED IN PANDUIT PRODUCT AND PACKAGING PER C2-0834 AND C2-0835
4. WEIGHT: SEE PART NUMBER TABLE
5. INCLUDED WITH KIT:
A. (5) 3" SHEET METAL HOLE GROMMETS, BLACK

PART NUMBER TABLE	
PANDUIT P/N	WEIGHT
PR2VGK	2.7 LBS/ 10 KITS (1231 g/10 KITS)

DIMENSION TABLE				
A	B	C	SHEET METAL HOLE DIAMETER	SHEET METAL THICKNESS
OVERALL DIAMETER	OVERALL HEIGHT	INSIDE DIAMETER		
3.5 IN (89MM)	.32 IN (8.3MM)	2.75 IN (69.8MM)	2.97-3.02 IN (75.4-76.6MM)	.03-.08 IN (0.76-2.0MM)

PART NUMBER					SEE PART NUMBER TABLE												
TITLE										PANDUIT							
PatchRunner 2 Vertical Cable Manager Pass-through hole grommet (kit of 5 grommets), 3.0" DIA																	
CUSTOMER DRAWING										PANDUIT							
ITEM REVISION NAME					14V455PE/01												
DATASET FILE NAME					14V455PE_DC/01A												
					THIRD ANGLE PROJECTION												
					MATERIAL					SBR							
DRAWN BY					DATE		CHK		SCALE		DRAWING NUMBER						
BJN					4-25-18		JCO		NONE		14V455PE-DC						
REV					DATE		BY		CHK		APR		DESCRIPTION				
01A					6-8-18		BJN		JCO		JEFK		UPDATED OVERALL HEIGHT & INSIDE DIAMETER				
00A					4-25-18		BJN		JCO		JEFK		RELEASED TO PRODUCTION				
ECN					14V455PE-DC												
SHEET 1 OF 1					A												

A-SIZE CUSTOMER

2

1

2

1