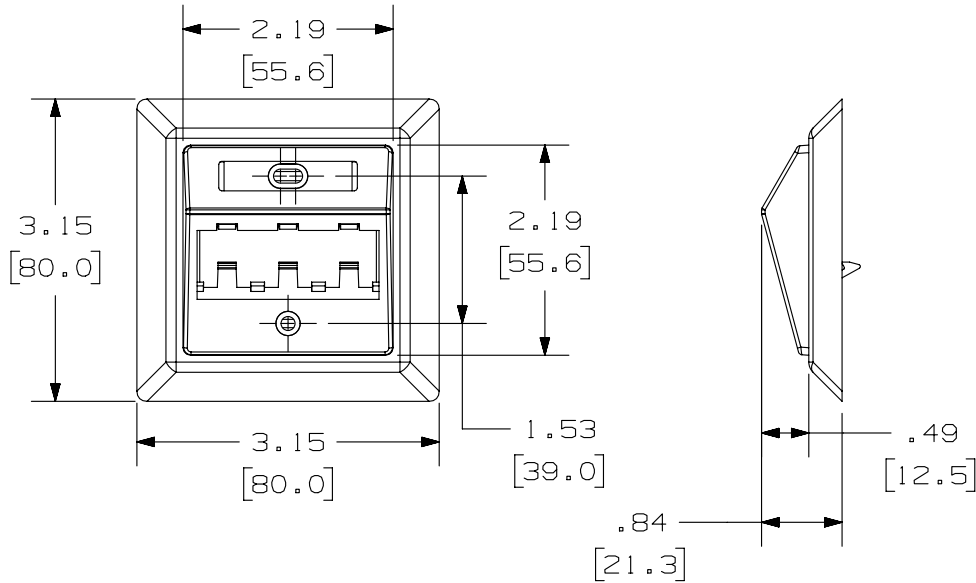


THIS COPY IS PROVIDED ON A RESTRICTED BASIS AND IS NOT TO BE USED IN ANY WAY DETRIMENTAL TO THE INTERESTS OF PANDUIT CORP.

PANDUIT P/N	WEIGHT
CS2P6TG**Y	4.12 LB/10 PCS. (1869.3 g/10 PCS.)



NOTES:

- SEE CURRENT CATALOG FOR ADDITIONAL PART NUMBER SUFFIXES TO INDICATE COLOR AND OR PACKAGE QUANTITY.
- SEE CATALOG FOR COMPLETE LIST OF PARTS APPLICABLE FOR USE WITH THIS PART.
- DIMENSIONS IN [] ARE IN METRIC.
- KIT INCLUDES:
 - 1- METAL MOUNTING PLATE
 - 1- SCREW
 - 1- LABEL/COVER
 - 1- CHES3**Y FACEPLATE
 - 1- FCFP** BEZEL
 - 2- MINI-COM TX6 PLUS SHIELDED JACK MODULE- CJS688TGY
 - 1- MINI-COM BLANK MODULE

PART NUMBER		CS2P6TG**Y	
TITLE			
MINI-COM 3 POSITION SLOPED GERMAN FACEPLATE KIT WITH 2 CAT 6 SHIELDED MODULES AND 1 BLANK MODULE			
CUSTOMER DRAWING			
ITEM REVISION NAME		M02479G0/00	
DATASET FILE NAME		M02479G0_DC173/00B	
UNLESS OTHERWISE SPECIFIED, DIMENSIONAL TOLERANCES ARE: IN [mm]		MATERIAL:	
.x ± .1 [2.54]		.xxx ± .005 [.127]	
.xx ± .01 [.25]		ANGLES ± 5 °	
DRAWN BY		DATE	
JSP		4-22-06	
CHK		SCALE	
MJD		NONE	
DRAWING NUMBER:		SHT 1 OF 1	
02479-173		A	

REV	DATE	BY	CHK	APR	DESCRIPTION	ECN
1	3/6/14	JSP	REFR	MMR	A. REVISED DRAWING TITLE.	02479-173
R	4-22-06	JSP	MJD	MJD	RELEASED TO PRODUCTION	02479-173

D10100DA/14