

2 Post Standard Equipment Rack

specifications

The data equipment rack shall be constructed of extruded aluminum or steel and capable of accepting 19" wide EIA equipment. The telecommunications rack shall be constructed of extruded aluminum and capable of accepting 23" wide telecommunications equipment. Rack construction method shall ensure an electrically bonded structure for ease of grounding. The 3" channel rack shall be UL listed for 1000 lbs. load rating and the 6" channel rack shall be UL listed for 1500 lbs. load rating. The equipment mounting rails shall be double-sided #12-24 EIA universal mounting hole spacing. The equipment mounting rails shall include printed rack space identification on the front and back and be numbered up. The channel of the rack shall be capable of mounting NetRunner™ or PatchRunner™ Vertical Cable Managers. 24 #12-24 mounting screws shall be included with the rack.



technical information

Dimensions:	R2P96 – #12-24 threaded equipment mounting rails 96.1"H x 20.3"W x 3"D (2441mm x 514mm x 76mm), 52 RU
	R2P – #12-24 threaded equipment mounting rails 84.0"H x 20.3"W x 3"D (2134mm x 514mm x 76mm), 45 RU
	R2P48 – #12-24 threaded equipment mounting rails 48.0"H x 20.3"W x 3"D (1219mm x 514mm x 76mm), 24 RU
	R2P6S – #12-24 threaded equipment mounting rails 84.0"H x 20.3"W x 6"D (2134mm x 514mm x 152mm), 45 RU
	R2P6S96 - #12-24 threaded equipment mounting rails 96.1"H x 20.3"W x 6"D (2441mm x 514mm x 152mm), 52 RU
	R2PW – #12-24 threaded equipment mounting rails 84"H x 24.25"W x 3"D (2441mm x 616mm x 76mm), 45 RU
Packaging:	Includes right and left mounting rack channels, top and bottom brackets, assembly hardware with paint piercing washers and anti-oxidizing paste for complete rack bonding

key features and benefits

Rack spaces	The 8' rack with 52 rack spaces allows more equipment in the same footprint to maximize real estate for lowest cost of ownership
Extruded aluminum construction	Designed to be lightweight and durable for easier deployment and reduced transportation costs; UL listed for 1000 lbs.
Heavy duty steel construction	6" channel rack designed for higher weight capacity for large equipment; UL listed for 1500 lbs.
Printed rack space identification	Allows for quick location of rack mounted equipment for faster installation and less rework; see individual customer drawings for specific rack RU numbering
Paint piercing washers	Fully electrically bonds rack components to simplify grounding process for improved network reliability
Double-sided #12-24 mounting holes	Provides ability to mount equipment on both sides of the rack channel for improved system flexibility

applications

Panduit 2 post standard equipment rack provides a reliable foundation for mounting telecommunication and data center equipment. The rack can be used to manage high performance copper and fiber patch cables. This modular rack system is compatible with

Panduit horizontal and vertical cable managers. The 2 post standard equipment rack is part of a complete rack and cable management system that manages, protects, and showcases your network investment.

3" Channel Racks – Numbered Up

19" wide #12-24 threaded rail:	R2P96
19" wide #12-24 threaded rail:	R2P
19" wide #12-24 threaded rail:	R2P48
23" wide #12-24 threaded rail:	R2PW

6" Channel Rack – Numbered Up

19" wide #12-24 threaded rail:	R2P6S
19" wide #12-24 threaded rail:	R2P6S96

Thermal Duct

Thermal duct	
Cisco Catalyst^ 6509:	R2PAE1

2 Post Rack Accessories for 19" Racks – Front Mount Shelves

1.7"H x 19.0"W x 15.2"D:	SRM19FM1
3.5"H x 19.0"W x 15.2"D:	SRM19FM2

Cantilevered Shelf Vented

5.2"H x 19.2"W x 12.5"D:	SRM19CMV3
--------------------------	-----------

Cantilevered Shelf

5.2"H x 19.0"W x 12.5"D:	SRM19CM3
--------------------------	----------

Adjustable Shelf

19.0"W x 18.0"D:	SRM19X18A1
19.0"W x 25.0"D:	SRM19X25A1

3" and 6" Channel Rack Top Trough

For PatchRunner™ High Capacity Vertical Cable Managers:	R2PPEVWF
---	----------

For PatchRunner™ Vertical Cable Managers:	R2PPRVWF
---	----------

For NetRunner™ Vertical Cable Managers:	WMPV45ERTW†
---	-------------

Power Outlet Unit (POU) Mounting Bracket

2 post rack (POU) bracket (set of 2):	R2PPDUB
---------------------------------------	---------

Additional Hardware

100 #12-24 screws	S1224-C
-------------------	---------

Rack anchor kit for concrete floor:

	RFKIT
--	-------

PatchRunner™ High Capacity Vertical Cable Managers for 3" and 6" Channel Racks – 7 Foot

Dual-sided	
6" wide:	PEV6
8" wide:	PEV8
10" wide:	PEV10
12" wide:	PEV12

Singe sided

6" wide:	PEVF6
8" wide:	PEVF8
10" wide:	PEVF10
12" wide:	PEVF12

Dual Hinged Doors

6" wide:	PED6
8" wide:	PED8
10" wide:	PED10
12" wide:	PED12

NetRunner™ High Capacity Vertical Cable Managers for 3" Channel Racks – 7 Foot

Front and rear	
45 RU, 6" x 6":	NRV6
45 RU, 10" x 6":	NRV10
45 RU, 12" x 6":	NRV12

Front only

45 RU, 6" x 6":	NRVF6
45 RU, 10" x 6":	NRVF10
45 RU, 12" x 6":	NRVF12

Doors

6" wide:	NRD6
10" wide:	NRD10
12" wide:	NRD12

NetRunner™ Vertical Cable Managers for 3" Channel Racks – 7 Foot

Front and rear	
45 RU, 4" x 5":	WMPV45E
45 RU, 6" x 6":	WMPVNC45E

Front only

45 RU, 4" x 5":	WMPVF45E
45 RU, 6" x 6":	WMPVHC45E

PatchRunner™ Vertical Cable Managers – 7 Foot

6" W, front and rear:	PRV6†
6" W, front only:	PRVF6*
8" W, front and rear:	PRV8†
8" W, front only:	PRVF8*
10" W, front and rear:	PRV10†
10" W, front only:	PRVF10*
12" W, front and rear:	PRV12†
12" W, front only:	PRVF12*
15" W, front and rear:	PRV15†
15" W, front only:	PRVF15*

Dual Hinged Doors – 7 Foot

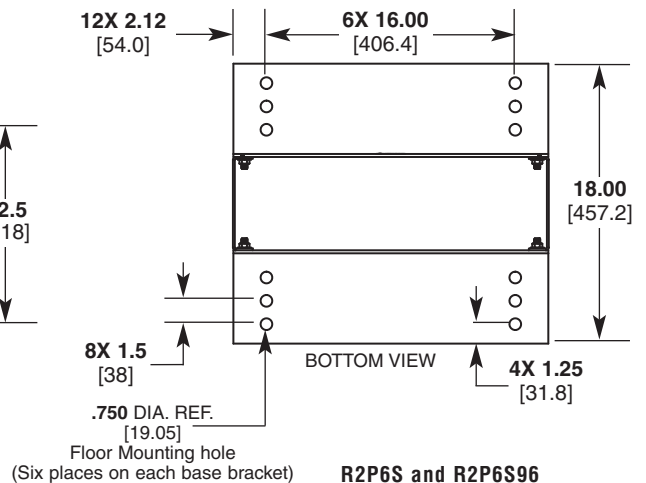
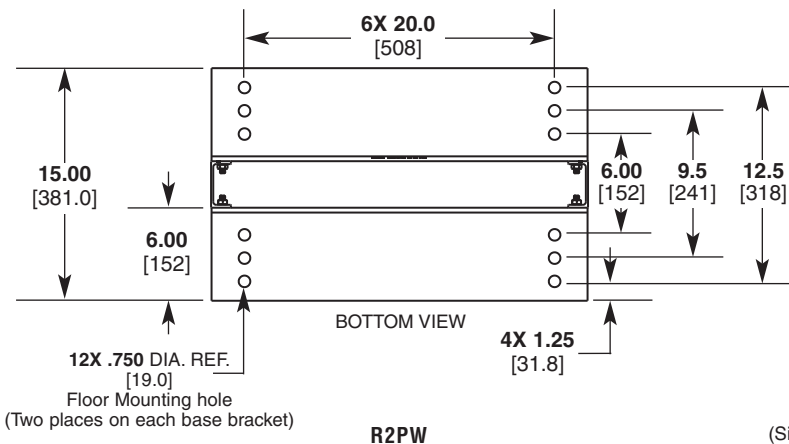
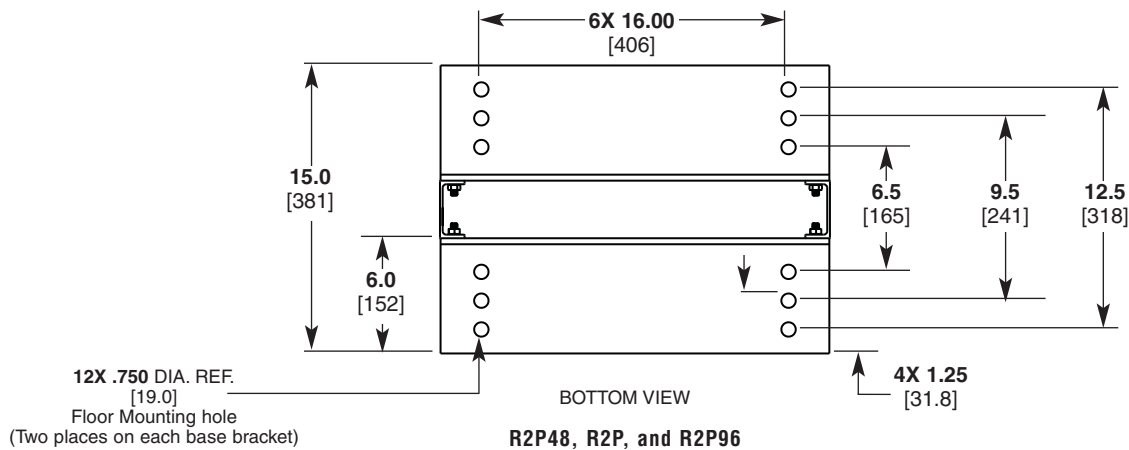
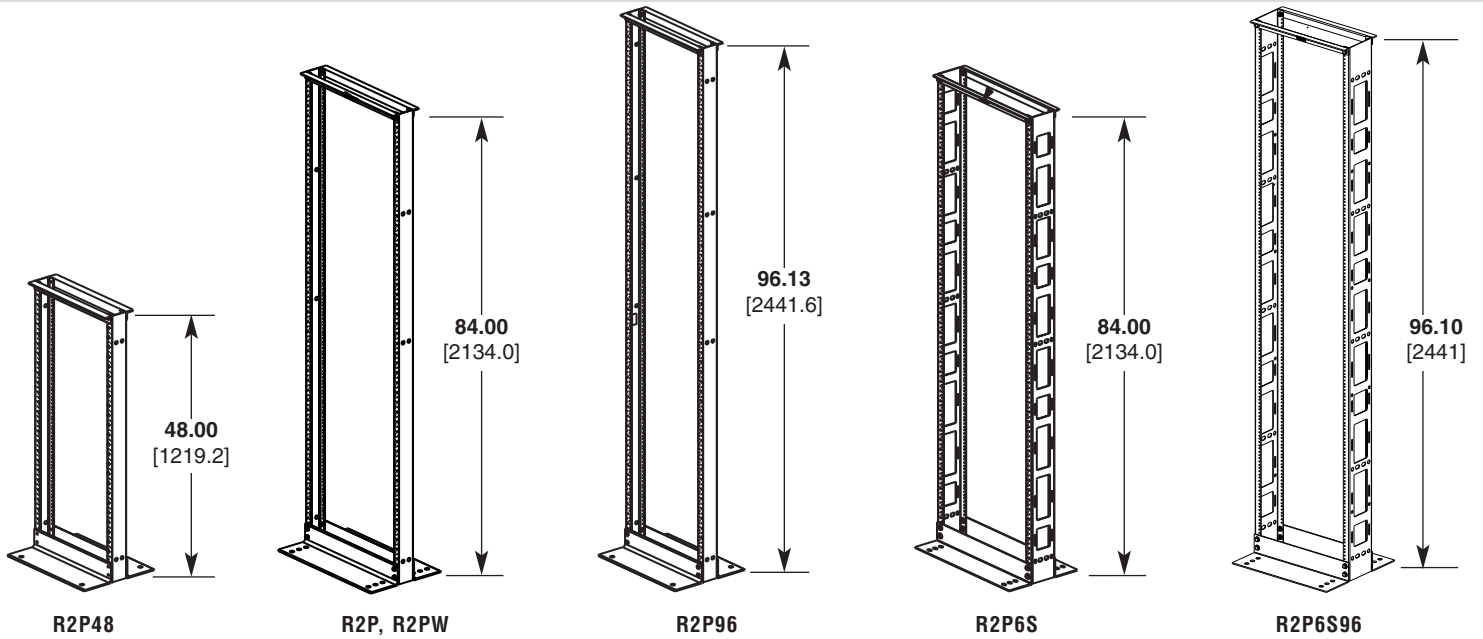
6" x 7":	PRD6*
8" x 7":	PRD8*
10" x 7":	PRD10*
12" x 7":	PRD12*
15" x 7":	PRD15*

^Catalyst is a registered trademark of Cisco Technology, Inc.

*Add suffix 96 to the end of the part number for 8' part numbers.

†Suitable for use with 3" Channel Rack only.

2 Post Standard Equipment Rack



Dimensions are in inches [Dimensions in brackets are metric].

WORLDWIDE SUBSIDIARIES AND SALES OFFICES

PANDUIT CANADA
Markham, Ontario
cs-cdn@panduit.com
Phone: 800.777.3300

PANDUIT EUROPE LTD.
London, UK
cs-emea@panduit.com
Phone: 44.20.8601.7200

PANDUIT SINGAPORE PTE. LTD.
Republic of Singapore
cs-ap@panduit.com
Phone: 65.6305.7575

PANDUIT JAPAN
Tokyo, Japan
cs-japan@panduit.com
Phone: 81.3.6863.6000

PANDUIT LATIN AMERICA
Guadalajara, Mexico
cs-la@panduit.com
Phone: 52.33.3777.6000

PANDUIT AUSTRALIA PTY. LTD.
Victoria, Australia
cs-aus@panduit.com
Phone: 61.3.9794.9020

For a copy of Panduit product warranties, log on to www.panduit.com/warranty

For more information

Visit us at www.panduit.com

Contact Customer Service by email: cs@panduit.com
or by phone: 800.777.3300 and reference RKSP26

PANDUIT[®]

©2011 Panduit Corp.
ALL RIGHTS RESERVED.

WW-RKSP26

8/2011