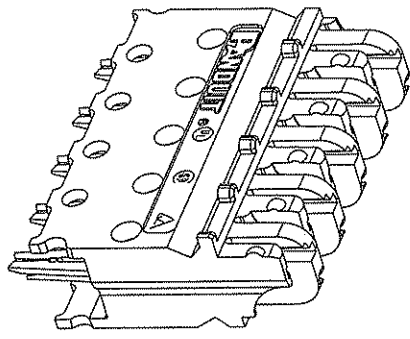
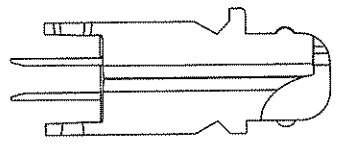
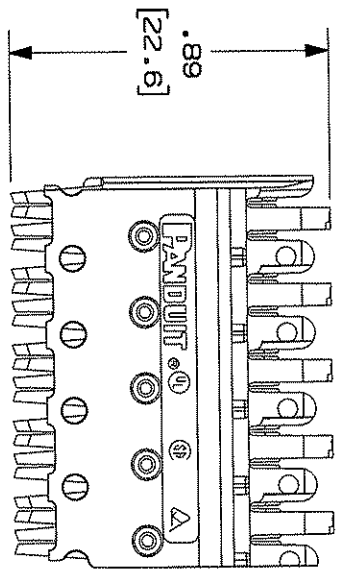
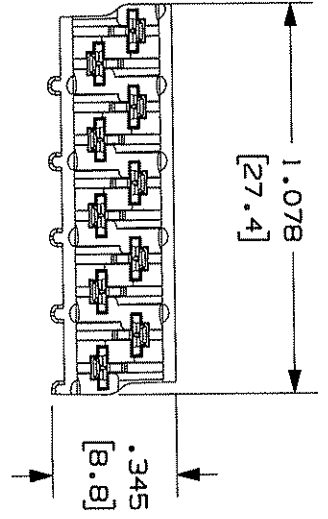


THIS COPY IS PROVIDED ON A RESTRICTED BASIS AND IS NOT TO BE USED IN ANY WAY DETRIMENTAL TO THE INTERESTS OF PANDUIT CORP.



- NOTES:
1. SEE CURRENT CATALOG FOR ADDITIONAL PART NUMBER SUFFIXES TO INDICATE COLOR AND OR PACKAGE QUANTITY. SEE CATALOG FOR COMPLETE LIST OF PARTS APPLICABLE FOR USE WITH THIS PART.
  2. DIMENSIONS IN PARENTHESES ARE IN METRIC.
  3. CATEGORY 6 PERFORMANCE CONNECTOR.
  4. INSTALLATION TOOL REQUIRED TO INSTALL BLOCK ONTO BASE.
  5. MATERIAL: POLYCARBONATE
  6. HOUSING: PHOSPHOR BRONZE

* PANDUIT P/N	WEIGHT
GPCBS-*Y	.10 LB/10 PCS (42.9 g/10 PCS)

CAD FILENAME/LAYERS  
M02479LD\_DCC291\_00A.PRT

**PANDUIT** CORP. TINLEY PARK, ILLINOIS

GIGA-PUNCH™ CONNECTING BLOCK 5 PAIR (GPCBS-\*Y) CUSTOMER DRAWING

UNLESS OTHERWISE SPECIFIED, DIMENSIONAL TOLERANCES ARE:  
(.XX) ± .03(.8) ANGLES: (1.01) ± .01(0.3)  
UNLESS OTHERWISE SPECIFIED, ALL DIMENSIONS ARE GIVEN IN INCHES, THIRD ANGLE PROJECTION.

REV	DATE	BY	CHK	DESCRIPTION	ECON	CHK	CUST	SUP
R	3-18-06	TA	AK	RELEASED TO PRODUCTION.	02479-291			

DATE	3-18-06	DATE	
DRAWN BY	TA	DATE	
MAT'L:		DATE	
SCALE	NONE	DATE	
DWG NO.	02479-291	DATE	
DWG SIZE	A	DATE	

SEE NOTES