

# QuickNet™ Harness and Staggered Harness Cable Assemblies

## technical information

QuickNet™ Harness (Hydra) and Staggered Harness Cable Assemblies allow for rapid deployment of high-density, multi-port patch field connectivity for Storage Area Network (SAN) applications. QuickNet™ Harness Cable Assemblies optimize SAN patch field organization, ensuring efficient use of horizontal and vertical rack pathways. These assemblies, built with modular MPO connectivity and traditional connectivity provide compatibility, flexibility, and system performance in high-density LAN/SAN switch Equipment Distribution Area (EDA) patch field applications.

QuickNet™ Harness and Staggered Harness Cable Assemblies are factory terminated and tested to deliver verified optical performance and reliability for improved network integrity. 10Gig versions provide 10 Gb/s network performance up to 300 meters for OM3 and up to 550 meters for OM4 per IEEE 802.3ae 10 GbE standard while maintaining compatibility with legacy systems.



## application

Storage Area Network (SAN), Local Area Network (LAN) switch, Equipment Distribution Area (EDA) patch field applications

## construction

<b>Cable type:</b>	Indoor flat ribbon
<b>Cable jacket ratings:</b>	Plenum OFNP Low Smoke Zero Halogen (LSZH)
<b>Fiber types:</b>	Singlemode: OS1/OS2 9/125 Multimode: OM3 50/125µm OM4 50/125µm
<b>Connector types, end 'A':</b>	MPO female MPO male
<b>Fiber count:</b>	8 or 12
<b>Jacket color:</b>	OS1/OS2: Yellow OM3: Aqua OM4: Aqua
<b>Connector types, end 'B':</b>	LC duplex

## optical properties

<b>Maximum cable attenuation:</b>	OS1/OS2 0.75dB/km at 1310/1550nm OM3 3.5dB/km at 850nm, 1.5dB/km at 1300nm OM4 3.5dB/km at 850nm, 1.5dB/km at 1300nm
<b>Maximum connector insertion loss:</b>	Per mated pair: 0.50dB typical, 0.75dB max.
<b>Minimum connector insertion loss:</b>	Singlemode: 55dB minimum Multimode: OM3 26dB minimum OM4 26dB minimum

## physical properties

<b>Cable outside dimensions (OD):</b>	2.5 x 5mm
<b>Minimum bend radius:</b>	20 x Cable OD (installation)
<b>Cable tensile strength:</b>	660N
<b>Cable compressive load:</b>	35N/cm
<b>Cable flex:</b>	25 cycles
<b>Cable twist:</b>	10 cycles
<b>Connector cable retention:</b>	50N
<b>Connector durability-singlemode:</b>	MPO – 500 mating cycles
<b>Breakout outside diameter:</b>	13.0mm
<b>Bend radius installation:</b>	Installation: 76.2mm Long term: 38.1mm
<b>Cable tensile strength:</b>	Installation: 440N Long term: 18N

## environmental properties

<b>Operating temperature:</b>	0°C to 50°C
<b>Storage and shipping temperature:</b>	-40°C to 65°C
<b>Installation temperature:</b>	0°C to 50°C

## standards

Meets or exceeds ISO/IEC 11801, TIA/EIA-568-C.3, TIA-604-5 (FOCIS-5), TIA/EIA-568-C.1

RoHS Compliant

# QuickNet™ Harness and Staggered Harness Cable Assemblies

## part number

Example: FZTHP6NLSSNM001 = Fiber OM4, 12-fiber, flat ribbon, plenum rated, MPO male to LC harness with 61cm equal breakout, standard IL, no pulling eye, 1 meter

Character	1	2	3	4	5	6	7	8	9	10	11	12	13	14	15
Example	F	Z	T	H	P	6	N	L	S	S	N	M	0	0	1

### 1 – Fiber Product

F = Fiber

### 2 – Fiber Type

9 = OS1/OS2 9/125µm

X = OM3 50/125 µm

Z = OM4 50/125 µm

### 3 – Fiber Count

8 = 8-fiber

T = 12-fiber

### 4 – Cable Type

H = Flat ribbon

### 5 – Jacket Type

L = Low Smoke Zero Halogen (LSZH)

P = Optical Fiber Nonconductive Plenum (OFNP)

### 6 – Connector Type End “A”

5 = MPO female

6 = MPO male

### 7 – Connector Variant

N = No variant

### 8 – Connector Type End “B”

L = LC duplex

### 9 – Connector Variant

D = 1m equal breakout

S = 61cm equal breakout

N = No variant

F = Staggered pair 1 longest breakout

G = Staggered pair 1 shortest breakout

H = Staggered pairs 1 and 2 longest breakouts

J = Staggered pairs 1 and 2 shortest breakouts

### 10 – Construction/Performance

S = Standard IL – straight thru (MPO - Discrete)

### 11 – Other

N = No variant

### 12 – Unit of Length

F = Feet

M = Meters

### 13, 14, 15 – Length

1 – 30m

3 – 100 feet

Other options are available as follows:

Fiber Type: OM1 62.5/125, OM2 50/125, OM4+ 50/125 Sig Core

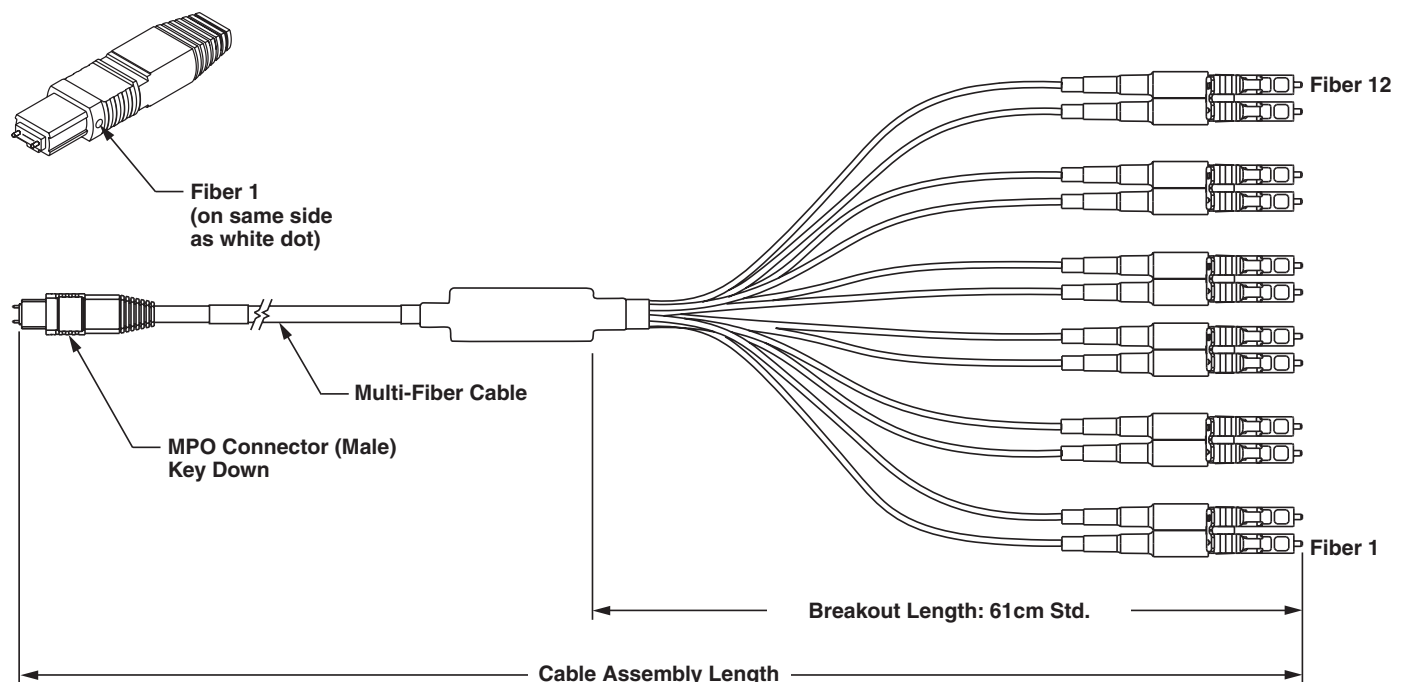
Jacket Type: Riser OFNR

Connector Type: LC, ST, SC, FC, SC/APC, mSFP, LC duplex, E2000, MTRJ Female, FJ Jack, MTRJ Male, FJ plug, SC duplex

Connector Variant: 46cm (18") equal breakout, 76cm (30") equal breakout, 91cm (36") equal breakout

Performance/Construction: Optimized performance/standard polarity, Optimized performance/flipped pair, standard performance/flipped pair

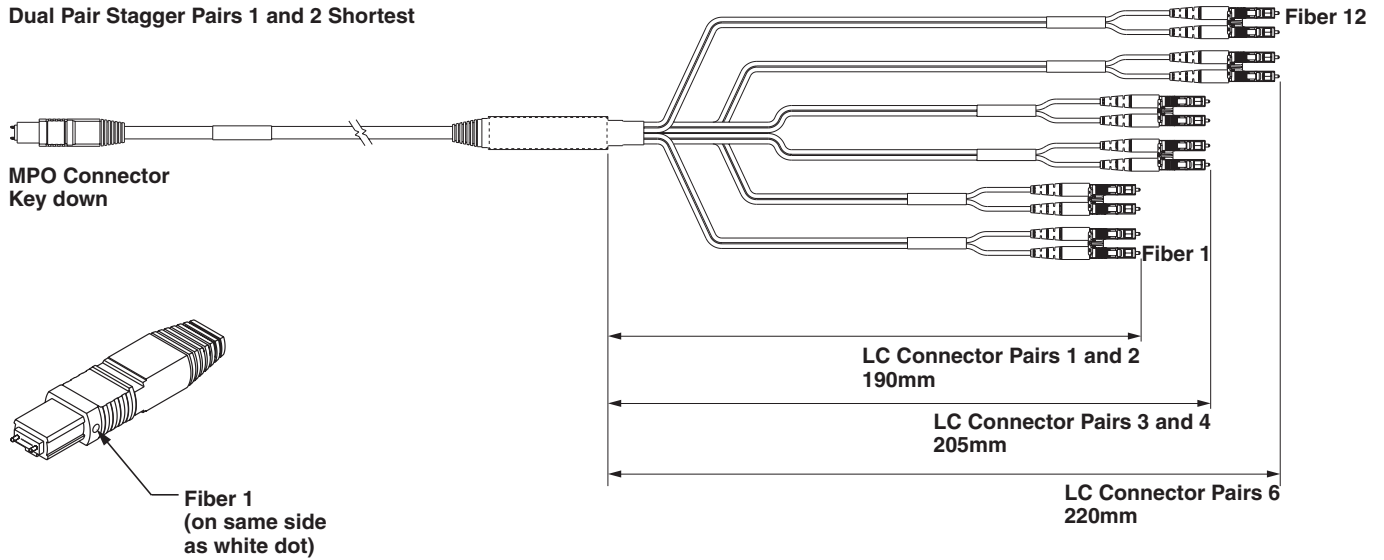
## harness assembly detail



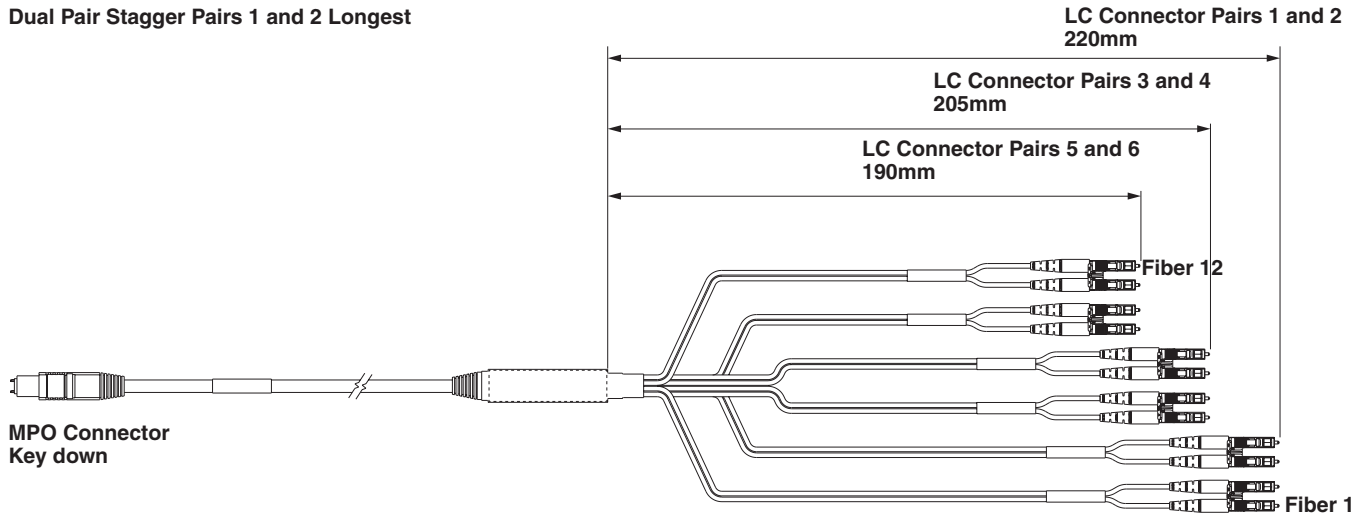
# QuickNet™ Harness and Staggered Harness Cable Assemblies

## staggered harness assembly detail

Dual Pair Stagger Pairs 1 and 2 Shortest



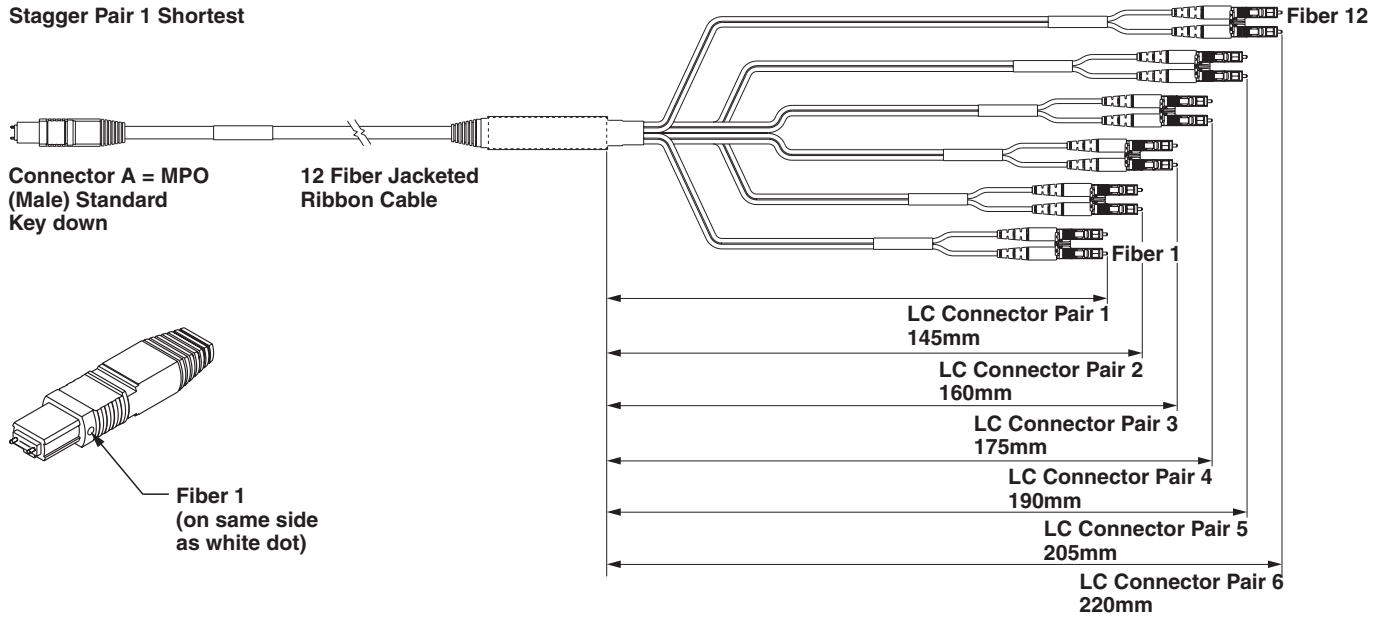
Dual Pair Stagger Pairs 1 and 2 Longest



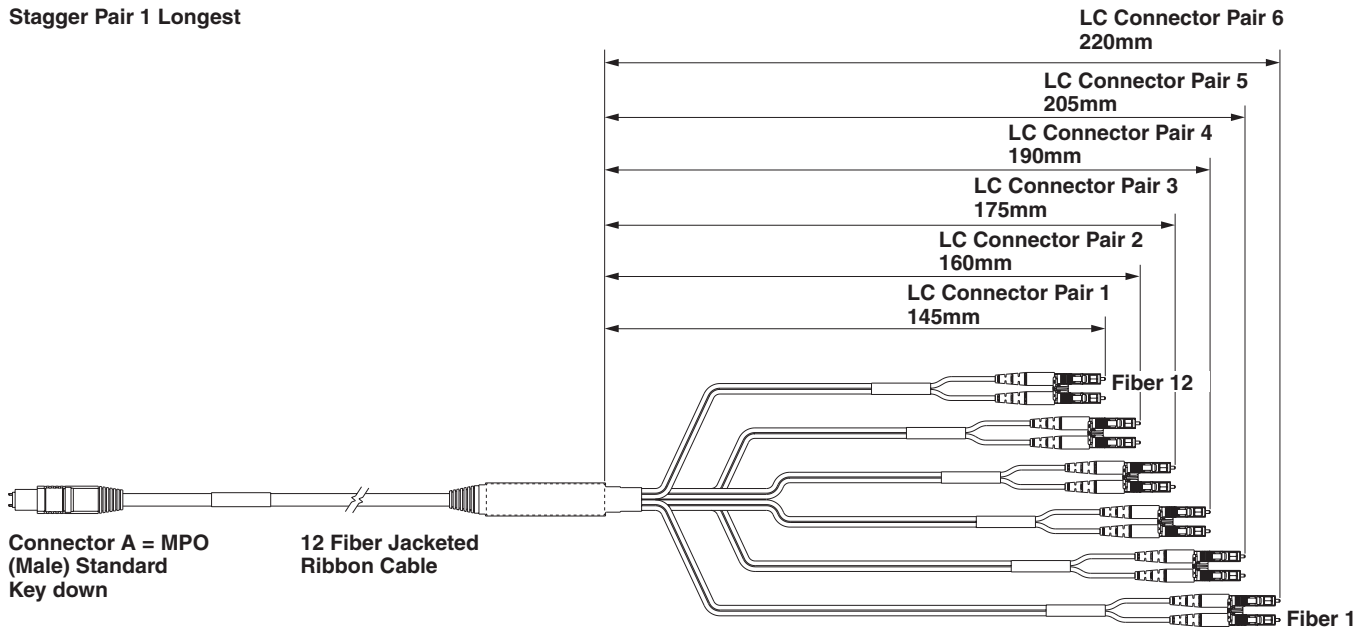
# QuickNet™ Harness and Staggered Harness Cable Assemblies

## staggered harness assembly detail

Stagger Pair 1 Shortest



Stagger Pair 1 Longest



### WORLDWIDE SUBSIDIARIES AND SALES OFFICES

PANDUIT CANADA  
Markham, Ontario  
cs-cdn@panduit.com  
Phone: 800.777.3300

PANDUIT EUROPE LTD.  
London, UK  
cs-emea@panduit.com  
Phone: 44.20.8601.7200

PANDUIT SINGAPORE PTE. LTD.  
Republic of Singapore  
cs-ap@panduit.com  
Phone: 65.6305.7575

PANDUIT JAPAN  
Tokyo, Japan  
cs-japan@panduit.com  
Phone: 81.3.6863.6000

PANDUIT LATIN AMERICA  
Guadalajara, Mexico  
cs-la@panduit.com  
Phone: 52.33.3777.6000

PANDUIT AUSTRALIA PTY. LTD.  
Victoria, Australia  
cs-aus@panduit.com  
Phone: 61.3.9794.9020

For a copy of Panduit product warranties, log on to [www.panduit.com/warranty](http://www.panduit.com/warranty)

For more information

Visit us at [www.panduit.com](http://www.panduit.com)

Contact Customer Service by email: [cs@panduit.com](mailto:cs@panduit.com)  
or by phone: 800.777.3300 and reference FBSP56

**PANDUIT**®

©2012 Panduit Corp.  
ALL RIGHTS RESERVED.  
FBSP56--WW-ENG  
11/2012