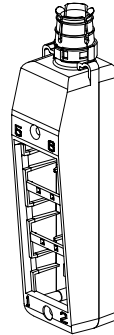
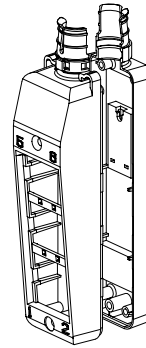
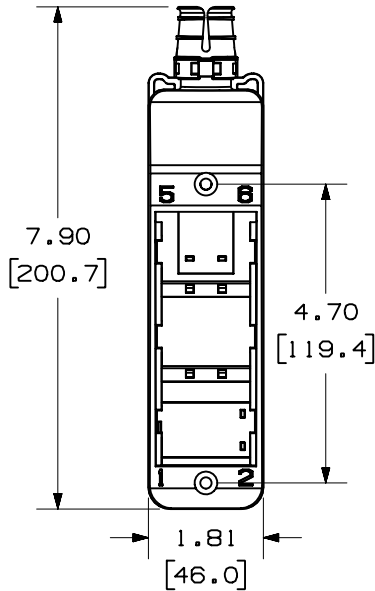
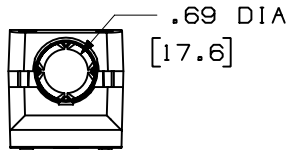


THIS COPY IS PROVIDED ON A RESTRICTED BASIS AND IS NOT TO BE USED IN ANY WAY DETRIMENTAL TO THE INTERESTS OF PANDUIT CORP.



PANDUIT P/N	WEIGHT
CM6P**	2.06 LB/10 PCS (933.5 g/10 PCS)

NOTES:

1. SEE CURRENT CATALOG FOR ADDITIONAL PART NUMBER SUFFIXES TO INDICATE COLOR AND OR PACKAGE QUANTITY.
2. SEE CATALOG FOR COMPLETE LIST OF PARTS APPLICABLE FOR USE WITH THIS PART.
3. DIMENSIONS IN PARENTHESES ARE IN METRIC.
4. PART INCLUDES:
 - 1- BASE
 - 1- COVER
 - 4- MOUNTING SCREW (USED TO SECURE COVER TO BASE)
 - 2- CABLE TIE
 - 1- HEAT SHRINK TUBING
 - 2- ADHESIVE TAPE

*ACCEPTS 3 1/2 SLOPED INSERTS, NOT INCLUDED

MODEL FILENAME	MO2090AA_MUTOA_SLPD_06.PRT	SIZE	A
DRAWING FILENAME	MO2090AA_DC_06B.PRT		

MINI-COM MUTOA 6 POSITION BOX
CUSTOMER DRAWING

<p>PANDUIT™ CORP. TINLEY PARK, ILL 60477</p>	I.I. NUMBER	N/A
	PRODUCT SPEC	N/A
<p>THIRD ANGLE PROJECTION</p>	WORK INSTRUCTION	N/A
	SCALE	NONE
<p>ALL DIMENSIONS ARE GIVEN IN INCHES, UNLESS OTHERWISE SPECIFIED.</p> <p>DIMENSIONAL TOLERANCES ARE: (.X) ± (.XXX) ±.010(1.3) (.XX) ±.03(1.8) ANGLES ±</p>	PART NO.	CM6P**
<p>DRAWN BY: JsP</p> <p>DATE: 11-15-04</p> <p>CHK'D: EB</p>	MATERIAL:	PC
	DRAWING NO.	02090-03

REV	DATE	BY	CHK	DESCRIPTION	ECN	R	CUST	SUP	OTH
I	6-10-05	JsP		A. REVISED INCORRECT MATERIAL TYPE.	02090-03				
R	11-15-04	JsP	EB	RELEASED TO PRODUCTION	02090-03				