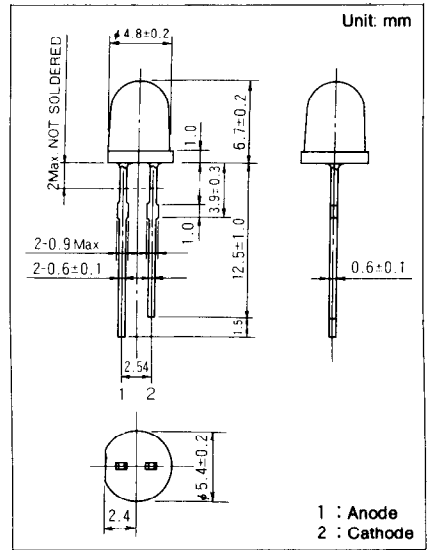


丸形

Round Type

φ 4.8mm Series

Type No.	Lighting Color
LN21RCPSS	Red
LN31GCPSS	Green
LN41YCPSS	Amber



絶対最大定格 Absolute Maximum Ratings (Ta=25 °C)

Lighting Color	P _D (mW)	I _F (mA)	I _{FP} (mA)*	V _R (V)	T _{opr} (°C)	T _{stg} (°C)
Red	70	25	150	4	-25~+85	-30~+100
Green	90	30	150	4	-25~+85	-30~+100
Amber	90	30	150	4	-25~+85	-30~+100

* I_{FP}の条件は, duty 10%, Pulse width 1 msec. The condition of I_{FP} is duty 10%, Pulse width 1 msec

電気的光学的特性 Electro-Optical Characteristics (Ta=25 °C)

Type No.	Lighting Color	Lens Color	I ₀			V _F		λ _P	Δλ	I _F	I _R	
			Typ.	Min.	I _F	Typ.	Max.	Typ.	Typ.		Max.	V _R
LN21RCPSS	Red	Red Clear	4.0	1.5	15	2.2	2.8	700	100	20	5	4
LN31GCPSS	Green	Green Clear	10.0	4.0	20	2.2	2.8	565	30	20	10	4
LN41YCPSS	Amber	Amber Clear	6.0	2.0	20	2.2	2.8	590	30	20	10	4
Unit	—	—	mcd	mcd	mA	V	V	nm	nm	mA	μA	V

