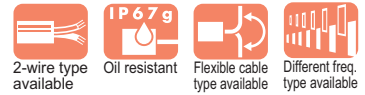
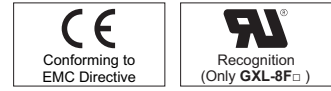
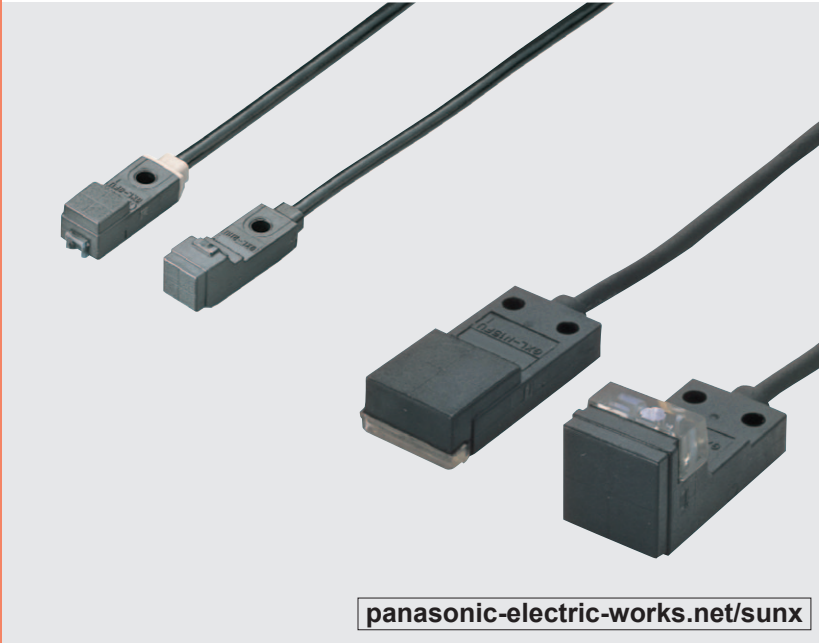


GXL SERIES

Related Information	■ General terms and conditions..... F-17	■ Sensor selection guide P.757~
	■ Glossary of terms..... P.1386~	■ General precautions P.1405



panasonic-electric-works.net/sunx

High performance in micro-size design

BASIC PERFORMANCE

Versatile mounting

Since the sensor is fingertip size, it can be mounted in a tight space.



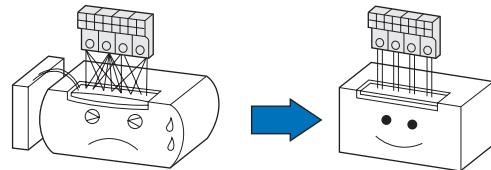
Reduced wiring operation

The wiring cost of the DC 2-wire type is 2/3 that of a conventional model. Besides, the possibility of miswiring is reduced.

Particularly convenient when many sensors are used.

Wiring of the 3-wire type is cumbersome.

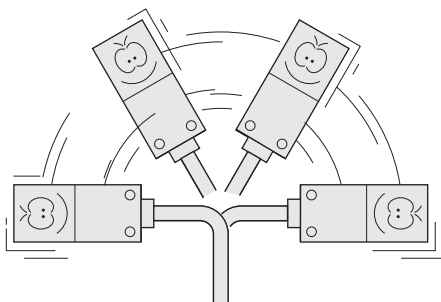
Wiring of the 2-wire type is simple and neat.



ENVIRONMENTAL RESISTANCE

Flexible cable type

The bending durability of its cable is ten times that of the conventional model. The sensor can be mounted on a moving table or a robot arm.



Others

Cost performance

Achieve high performance at an affordable price.

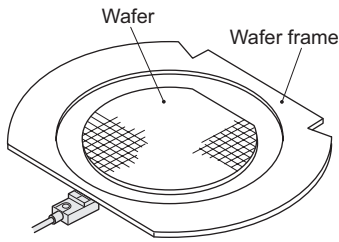
- FIBER SENSORS
- LASER SENSORS
- PHOTOELECTRIC SENSORS
- MICRO PHOTOELECTRIC SENSORS
- AREA SENSORS
- LIGHT CURTAINS
- PRESSURE / FLOW SENSORS
- INDUCTIVE PROXIMITY SENSORS**
- PARTICULAR USE SENSORS
- SENSOR OPTIONS
- SIMPLE WIRE-SAVING UNITS
- WIRE-SAVING SYSTEMS
- MEASUREMENT SENSORS
- STATIC CONTROL DEVICES
- ENDOSCOPE
- LASER MARKERS
- PLC / TERMINALS
- HUMAN MACHINE INTERFACES
- ENERGY CONSUMPTION VISUALIZATION COMPONENTS
- FA COMPONENTS
- MACHINE VISION SYSTEMS
- UV CURING SYSTEMS

- Selection Guide
- Amplifier Built-in
- Amplifier-separated

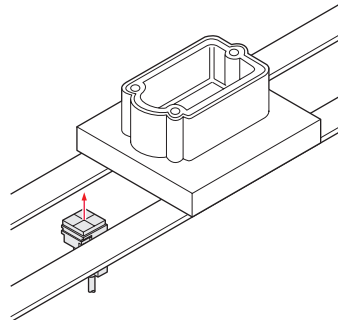
- GX-F/H
- GXL**
- GL
- GX-U/GX-FU/GX-N
- GX

APPLICATIONS

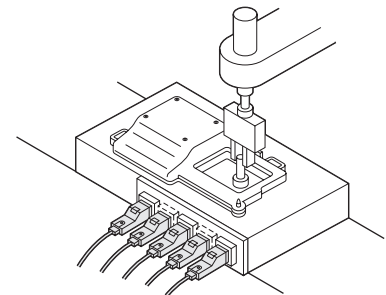
Detecting wafer frame



Detecting aluminum pallet



Code reading



ORDER GUIDE

GXL-8 type

Type	Appearance (mm in)	Sensing range (Note 1)	Model No. (Note 2)	Output	Output operation
DC 2-wire			GXL-8FU	Non-contact DC 2- wire type	Normally open
			GXL-8FUI		
			GXL-8FUB		Normally closed
			GXL-8FUIB		
			GXL-8HU		Normally open
			GXL-8HUI		
			GXL-8HUB		Normally closed
			GXL-8HUIB		

Notes: 1) The maximum operation distance stands for the maximum distance for which the sensor can detect the standard sensing object. The stable sensing range stands for the sensing range for which the sensor can stably detect the standard sensing object even if there is an ambient temperature drift and/or supply voltage fluctuation.
 2) " I " in the model No. indicates a different frequency type.

GXL-15 (Standard) type

Type	Appearance (mm in)	Sensing range (Note 1)	Model No. (Note 2)	Output	Output operation
DC 2-wire			GXL-15FU	Non-contact DC 2- wire type	Normally open
			GXL-15FUI		
			GXL-15FUB		Normally closed
			GXL-15FUIB		
			GXL-15HU		Normally open
			GXL-15HUI		
			GXL-15HUB		Normally closed
			GXL-15HUIB		

Notes: 1) The maximum operation distance stands for the maximum distance for which the sensor can detect the standard sensing object. The stable sensing range stands for the sensing range for which the sensor can stably detect the standard sensing object even if there is an ambient temperature drift and/or supply voltage fluctuation.
 2) " I " in the model No. indicates a different frequency type.

FIBER SENSORS

LASER SENSORS

PHOTO-ELECTRIC SENSORS

MICRO PHOTO-ELECTRIC SENSORS

AREA SENSORS

LIGHT CURTAINS

PRESSURE / FLOW SENSORS

INDUCTIVE PROXIMITY SENSORS

PARTICULAR USE SENSORS

SENSOR OPTIONS

SIMPLE WIRE-SAVING UNITS

WIRE-SAVING SYSTEMS

MEASUREMENT SENSORS

STATIC CONTROL DEVICES

ENDOSCOPE

LASER MARKERS

PLC / TERMINALS

HUMAN MACHINE INTERFACES

ENERGY CONSUMPTION VISUALIZATION COMPONENTS

FA COMPONENTS

MACHINE VISION SYSTEMS

UV CURING SYSTEMS

Selection Guide

Amplifier Built-in

Amplifier-separated

GX-F/H

GXL

GL

GX-U/GX-FU/GX-N

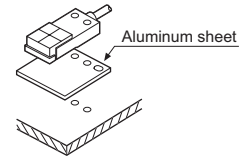
GX

ORDER GUIDE

GXL-15 (Long sensing range) type ... For mounting on non-magnetic material (Note 3)

Type	Appearance (mm in)	Sensing range (Note 1)	Model No. (Note 2)	Output	Output operation
DC 2-wire			GXL-15FLU	Non-contact DC 2-wire type	Normally open
			GXL-15FLUI		
			GXL-15FLUB		Normally closed
	GXL-15FLUIB				
			GXL-15HLU		Normally open
			GXL-15HLUI		
GXL-15HLUB		Normally closed			
GXL-15HLUIB					

- Notes: 1) The maximum operation distance stands for the maximum distance for which the sensor can detect the standard sensing object. The stable sensing range stands for the sensing range for which the sensor can stably detect the standard sensing object even if there is an ambient temperature drift and/or supply voltage fluctuation.
- 2) " I " in the model No. indicates a different frequency type.
- 3) To mount the long sensing range **GXL-15** type on a magnetic body, such as iron, the enclosed aluminum sheet, or any other aluminum sheet having a minimum size of $30 \times 39.5 \times t 0.3 \text{ mm } 1.181 \times 1.555 \times t 0.012 \text{ in}$ (**GXL-15HLU** type: $30 \times 30 \times t 0.3 \text{ mm } 1.181 \times 1.181 \times t 0.012 \text{ in}$), should be inserted between the sensor and the magnetic body. However, it is not necessary to use the aluminum sheet when mounting on a non-magnetic body, such as, aluminum or an insulator.



Flexible cable type and 5 m 16.404 ft cable length type

Flexible cable type and 5 m 16.404 ft cable length type (standard: 1 m 3.281 ft) are also available.

• **Table of Model Nos.**

Type	Standard	Flexible cable type	5 m 16.404 ft cable length type	Flexible cable of 5 m 16.404 ft cable length type		
DC 2-wire	Front sensing	GXL-8FU	GXL-8FU-R	GXL-8FU-C5	GXL-8FU-R-C5	
		GXL-8FUI	GXL-8FUI-R	GXL-8FUI-C5	GXL-8FUI-R-C5	
		GXL-8FUB	GXL-8FUB-R	GXL-8FUB-C5	GXL-8FUB-R-C5	
		GXL-8FUIB	GXL-8FUIB-R	GXL-8FUIB-C5	GXL-8FUIB-R-C5	
		Top sensing	GXL-8HU	GXL-8HU-R	GXL-8HU-C5	GXL-8HU-R-C5
			GXL-8HUI	GXL-8HUI-R	GXL-8HUI-C5	GXL-8HUI-R-C5
	GXL-8HUB		GXL-8HUB-R	GXL-8HUB-C5	GXL-8HUB-R-C5	
	GXL-8HUIB		GXL-8HUIB-R	GXL-8HUIB-C5	GXL-8HUIB-R-C5	
	Front sensing		GXL-15FU	GXL-15FU-R	GXL-15FU-C5	GXL-15FU-R-C5
			GXL-15FUI	GXL-15FUI-R	GXL-15FUI-C5	GXL-15FUI-R-C5
		GXL-15FUB	GXL-15FUB-R	GXL-15FUB-C5	GXL-15FUB-R-C5	
		GXL-15FUIB	GXL-15FUIB-R	GXL-15FUIB-C5	GXL-15FUIB-R-C5	
		Top sensing	GXL-15HU	GXL-15HU-R	GXL-15HU-C5	GXL-15HU-R-C5
			GXL-15HUI	GXL-15HUI-R	GXL-15HUI-C5	GXL-15HUI-R-C5
	GXL-15HUB		GXL-15HUB-R	GXL-15HUB-C5	GXL-15HUB-R-C5	
	GXL-15HUIB		GXL-15HUIB-R	GXL-15HUIB-C5	GXL-15HUIB-R-C5	
	Front sensing		GXL-15FLU	GXL-15FLU-R	GXL-15FLU-C5	GXL-15FLU-R-C5
			GXL-15FLUI	GXL-15FLUI-R	GXL-15FLUI-C5	GXL-15FLUI-R-C5
		GXL-15FLUB	GXL-15FLUB-R	GXL-15FLUB-C5	GXL-15FLUB-R-C5	
		GXL-15FLUIB	GXL-15FLUIB-R	GXL-15FLUIB-C5	GXL-15FLUIB-R-C5	
		Top sensing	GXL-15HLU	GXL-15HLU-R	GXL-15HLU-C5	GXL-15HLU-R-C5
			GXL-15HLUI	GXL-15HLUI-R	GXL-15HLUI-C5	GXL-15HLUI-R-C5
	GXL-15HLUB		GXL-15HLUB-R	GXL-15HLUB-C5	GXL-15HLUB-R-C5	
	GXL-15HLUIB		GXL-15HLUIB-R	GXL-15HLUIB-C5	GXL-15HLUIB-R-C5	

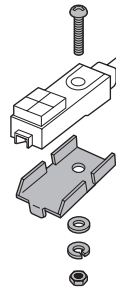
FIBER SENSORS
LASER SENSORS
PHOTO-ELECTRIC SENSORS
MICRO PHOTO-ELECTRIC SENSORS
AREA SENSORS
LIGHT CURTAINS
PRESSURE / FLOW SENSORS
INDUCTIVE PROXIMITY SENSORS
PARTICULAR USE SENSORS
SENSOR OPTIONS
SIMPLE WIRE-SAVING UNITS
WIRE-SAVING SYSTEMS
MEASUREMENT SENSORS
STATIC CONTROL DEVICES
ENDOSCOPE
LASER MARKERS
PLC / TERMINALS
HUMAN MACHINE INTERFACES
ENERGY CONSUMPTION VISUALIZATION COMPONENTS
FA COMPONENTS
MACHINE VISION SYSTEMS
UV CURING SYSTEMS
Selection Guide
Amplifier Built-in
Amplifier-separated
GX-F/H
GXL
GL
GX-U/GX-FU/ GX-N
GX

ORDER GUIDE

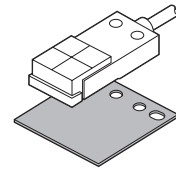
Accessories

- **MS-GXL8-4** (Sensor mounting bracket for **GXL-8FU**, **GXL-8HU** type)
- **MS-A15F** (Aluminum sheet for **GXL-15FLU** type)
- **MS-A15H** (Aluminum sheet for **GXL-15HLU** type)

• **MS-GXL8-4**



• **MS-A15F**
• **MS-A15H**



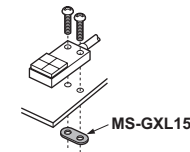
1 pc. each of M3 (length: 12 mm 0.472 in) truss head screw, nut, spring washer and plain washer is attached.

OPTIONS

Designation	Model No.	Description
Sensor mounting bracket	MS-GXL15	Mounting bracket for GXL-15 type
	MS-GXL15-2	Mounting bracket for GXL-15F type

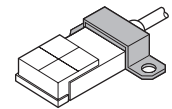
Sensor mounting bracket

• **MS-GXL15**



Screws are not supplied.

• **MS-GXL15-2**



Screws are not supplied.

FIBER SENSORS

LASER SENSORS

PHOTO-ELECTRIC SENSORS

MICRO PHOTO-ELECTRIC SENSORS

AREA SENSORS

LIGHT CURTAINS

PRESSURE / FLOW SENSORS

INDUCTIVE PROXIMITY SENSORS

PARTICULAR USE SENSORS

SENSOR OPTIONS

SIMPLE WIRE-SAVING UNITS

WIRE-SAVING SYSTEMS

MEASUREMENT SENSORS

STATIC CONTROL DEVICES

ENDOSCOPE

LASER MARKERS

PLC / TERMINALS

HUMAN MACHINE INTERFACES

ENERGY CONSUMPTION VISUALIZATION COMPONENTS

FA COMPONENTS

MACHINE VISION SYSTEMS

UV CURING SYSTEMS

Selection Guide

Amplifier Built-in

Amplifier-separated

GX-F/H

GXL

GL

GX-U/GX-FU/GX-N

GX

SPECIFICATIONS

DC 2-wire type

Type	GXL-8 type		GXL-15 type				
			Standard		Long sensing range (For mounting on non-magnetic body) (Note 2)		
	Front sensing	Top sensing	Front sensing	Top sensing	Front sensing	Top sensing	
Item	Model No.	GXL-8FU	GXL-8HU	GXL-15FU	GXL-15HU	GXL-15FLU	GXL-15HLU
Max. operation distance (Note 3)	2.5 mm 0.098 in ±20 %		5 mm 0.197 in ±10 %		8 mm 0.315 in ±10 %		
Stable sensing range (Note 3)	0 to 1.8 mm 0 to 0.071 in		0 to 4 mm 0 to 0.157 in		0 to 6.4 mm 0 to 0.252 in		
Standard sensing object	Iron sheet 15 × 15 × t 1 mm 0.591 × 0.591 × t 0.039 in		Iron sheet 20 × 20 × t 1 mm 0.787 × 0.787 × t 0.039 in		Iron sheet 30 × 30 × t 1 mm 1.181 × 1.181 × t 0.039 in		
Hysteresis	20 % or less of operation distance (with standard sensing object)						
Repeatability	Along sensing axis, perpendicular to sensing axis: 0.04 mm 0.002 in or less						
Supply voltage	12 to 24 V DC ±10 % Ripple P-P 10 % or less						
Current consumption (Note 4)	0.8 mA or less						
Output	Non-contact DC 2-wire type • Load current: 3 to 70 mA (Note 5) • Residual voltage: 3 V or less (Note 6)			Non-contact DC 2-wire type • Load current: 3 to 100 mA (Note 5) • Residual voltage: 3 V or less (Note 6)			
Utilization category	DC-12 or DC-13						
Short-circuit protection	Incorporated						
Max. response frequency	1 kHz						
Operation indicator	Normally closed type: Red LED (lights up when the output is ON)						
2-color indicator	Normally open type: Lights up in green under stable sensing condition Lights up in red under unstable sensing condition						
Environmental resistance	Pollution degree	3 (Industrial environment)					
	Protection	IP67 (IEC), IP67 g (JEM)					
	Ambient temperature	-25 to +70 °C -13 to +158 °F , Storage: -30 to +80 °C -22 to +176 °F					
	Ambient humidity	45 to 85 % RH, Storage: 35 to 95 % RH					
	EMC	EN 60947-5-2					
	Voltage withstandability	1,000 V AC for one min. between all supply terminals connected together and enclosure					
	Insulation resistance	50 MΩ, or more, with 250 V DC megger between all supply terminals connected together and enclosure					
Vibration resistance	10 to 55 Hz frequency, 1.5 mm 0.059 in amplitude in X, Y and Z directions for two hours each						
Shock resistance	1,000 m/s ² acceleration (100 G approx.) in X, Y and Z directions for three times each						
Sensing range variation	Temperature characteristics	Over ambient temperature range -25 to +70 °C -13 to +158 °F : Within $\pm 15\%$ of sensing range at +20 °C +68 °F					
	Voltage characteristics	Within ±2 % for ±10 % fluctuation of the supply voltage					
Material	Enclosure: PBT, Indicator part: Polyallylate			Enclosure: PET Indicator part: Polyallylate	Enclosure: PBT Indicator part: Polyallylate	Enclosure: PET Indicator part: Polyallylate	Enclosure: PBT Indicator part: Polyallylate
Cable (Note 7)	0.15 mm ² 2-core oil, heat and cold resistant cable, 1 m 3.281 ft long			0.2 mm ² 2-core oil, heat and cold resistant cable, 1 m 3.281 ft long			
Cable extension	Extension up to total 50 m 164.042 ft is possible with 0.3 mm ² , or more, cable.						
Weight	Net weight: 12 g approx.			Net weight: 20 g approx.			
Accessories	MS-GXL8-4 (Sensor mounting bracket): 1 set					MS-A15F (Aluminum sheet): 1 pc.	MS-A15H (Aluminum sheet): 1 pc.

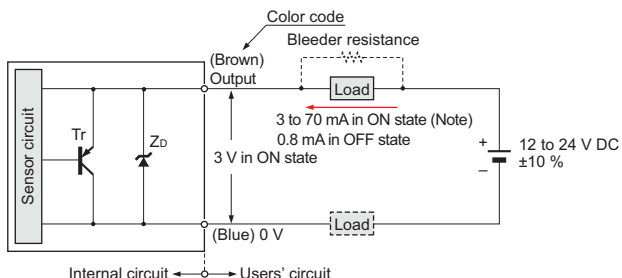
- Notes: 1) Where measurement conditions have not been specified precisely, the conditions used were an ambient temperature of +23 °C **+73.4 °F**.
- 2) To mount the long sensing range type on a magnetic body, such as iron, the enclosed aluminum sheet, or any other aluminum sheet having a minimum size of 30 × 39.5 × t 0.3 mm **1.181 × 1.555 × t 0.012 in** (GXL-15HLU type: 30 × 30 × t 0.3 mm **1.181 × 1.181 × t 0.012 in**), should be inserted between the sensor and the magnetic body.
However, it is not necessary to use the aluminum sheet when mounting on a non-magnetic body, such as, aluminum or an insulator.
- 3) The maximum operation distance stands for the maximum distance for which the sensor can detect the standard sensing object.
The stable sensing range stands for the sensing range for which the sensor can stably detect the standard sensing object even if there is an ambient temperature drift and/or supply voltage fluctuation.
- 4) It is the leakage current when the output is in the OFF state.
- 5) The maximum load current varies with the ambient temperature. Refer to "I/O CIRCUIT AND WIRING DIAGRAMS" for more details.
- 6) When the cable is extended, the residual voltage becomes larger according to the resistance of the cable.
The residual voltage of 5 m **16.404 ft** cable length type increases by +0.1 V.
- 7) The flexible cable type (model No. with suffix "-R") has a 0.15 mm² (GXL-15 type: 0.2 mm²) flexible, oil, heat and cold resistant cable, 1 m **3.281 ft** long.

I/O CIRCUIT AND WIRING DIAGRAMS

DC 2-wire type

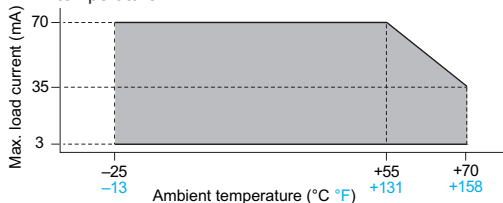
GXL-8 type

I/O circuit diagram



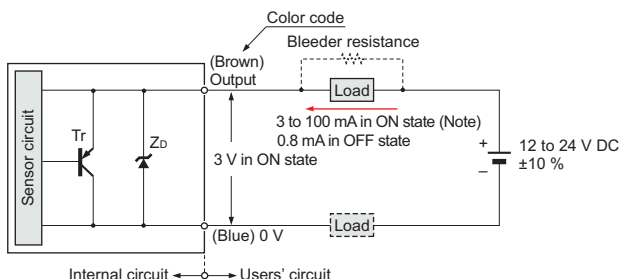
Symbols ... Z_D: Surge absorption zener diode
Tr: PNP output transistor

Note: The maximum load current varies depending on the ambient temperature.



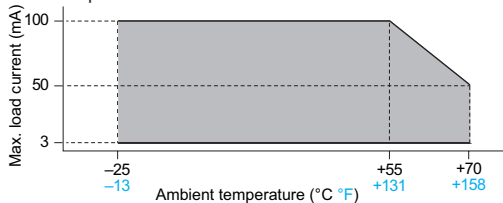
GXL-15 type

I/O circuit diagram

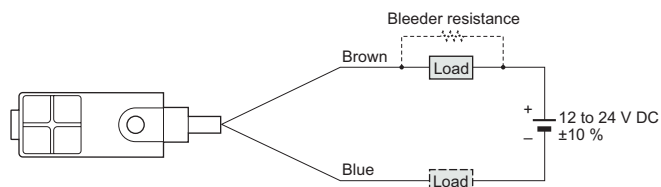


Symbols ... Z_D: Surge absorption zener diode
Tr: PNP output transistor

Note: The maximum load current varies depending on the ambient temperature.



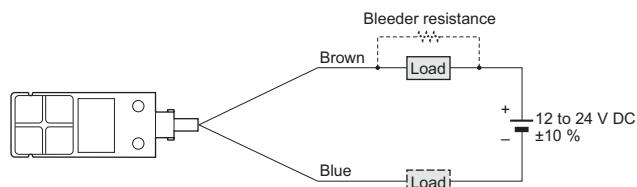
Wiring diagram



Conditions for the load

- 1) The load should not be actuated by the leakage current (0.8 mA) in the OFF state.
- 2) The load should be actuated by (supply voltage – 3 V) in the ON state.
- 3) The current in the ON state should be between 3 to 70 mA DC.
[In case the current is less than 3 mA, connect a bleeder resistance in parallel to the load so that a current of 3 mA, or more, flows.

Wiring diagram



Conditions for the load

- 1) The load should not be actuated by the leakage current (0.8 mA) in the OFF state.
- 2) The load should be actuated by (supply voltage – 3 V) in the ON state.
- 3) The current in the ON state should be between 3 to 100 mA DC.
[In case the current is less than 3 mA, connect a bleeder resistance in parallel to the load so that a current of 3 mA, or more, flows.

FIBER SENSORS

LASER SENSORS

PHOTO-ELECTRIC SENSORS

MICRO PHOTO-ELECTRIC SENSORS

AREA SENSORS

LIGHT CURTAINS

PRESSURE / FLOW SENSORS

INDUCTIVE PROXIMITY SENSORS

PARTICULAR USE SENSORS

SENSOR OPTIONS

SIMPLE WIRE-SAVING UNITS

WIRE-SAVING SYSTEMS

MEASUREMENT SENSORS

STATIC CONTROL DEVICES

ENDSCOPE

LASER MARKERS

PLC / TERMINALS

HUMAN MACHINE INTERFACES

ENERGY CONSUMPTION VISUALIZATION COMPONENTS

FA COMPONENTS

MACHINE VISION SYSTEMS

UV CURING SYSTEMS

Selection Guide

Amplifier Built-in

Amplifier-separated

GX-F/H

GXL

GL

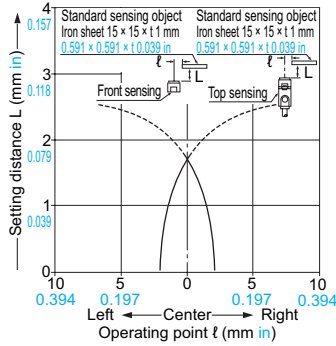
GX-U/GX-FU/GX-N

GX

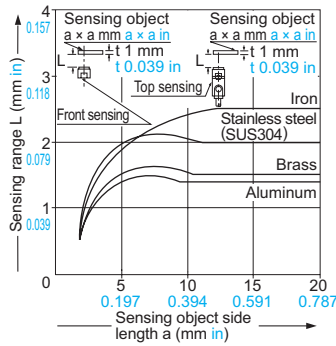
SENSING CHARACTERISTICS (TYPICAL)

GXL-8 type

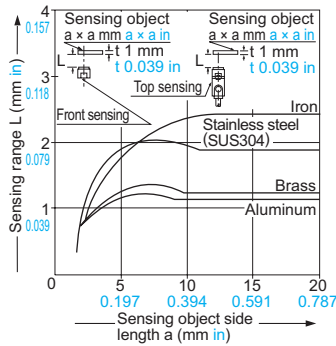
Sensing field (common)



Correlation between sensing object size and sensing range (DC 2-wire type)



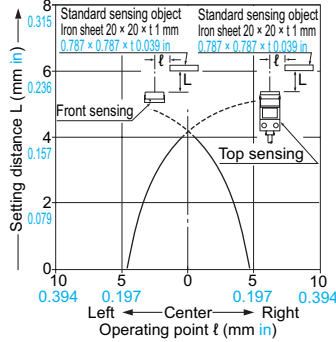
Correlation between sensing object size and sensing range (NPN output type)



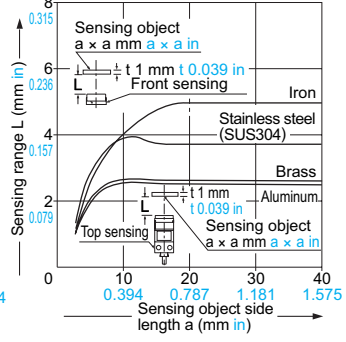
As the sensing object size becomes smaller than the standard size (iron sheet 15 × 15 × t 1 mm 0.591 × 0.591 × t 0.039 in), the sensing range shortens as shown in the left figures.

GXL-15 (Standard) type

Sensing field



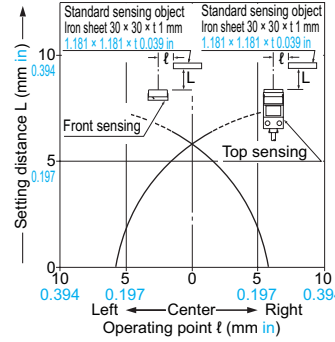
Correlation between sensing object size and sensing range



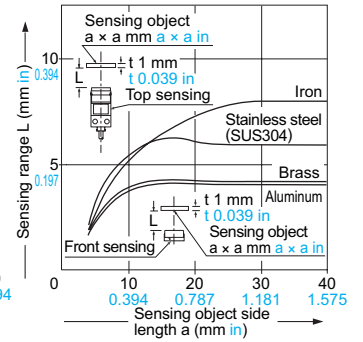
As the sensing object size becomes smaller than the standard size (iron sheet 20 × 20 × t 1 mm 0.787 × 0.787 × t 0.039 in), the sensing range shortens as shown in the left figure.

GXL-15 (Long sensing range) type

Sensing field



Correlation between sensing object size and sensing range



As the sensing object size becomes smaller than the standard size (iron sheet 30 × 30 × t 1 mm 1.181 × 1.181 × t 0.039 in), the sensing range shortens as shown in the left figure.

PRECAUTIONS FOR PROPER USE

Refer to General precautions.

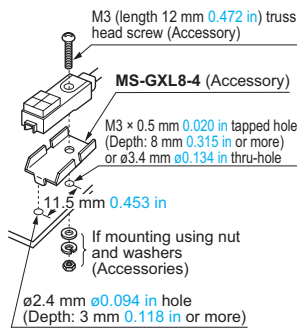


- Never use this product as a sensing device for personnel protection.
- In case of using sensing devices for personnel protection, use products which meet laws and standards, such as OSHA, ANSI or IEC etc., for personnel protection applicable in each region or country.

Mounting

GXL-8 type

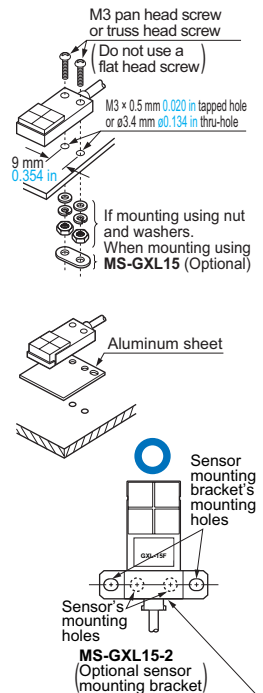
- The tightening torque should be 0.5 N·m or less.
- To mount the sensor with a nut, the thru-hole diameter should be $\phi 3.4$ mm $\phi 0.134$ in. With the attached mounting screw and nut, take care that the thickness of the mounting plate should be 2.3 mm 0.091 in or less.
- If a screw other than the attached screw is used, make sure to use a M3 truss head screw.



(Do not use a flat head screw or a pan head screw.)

GXL-15 type

- The tightening torque should be 1 N·m or less.
- To mount the sensor with the optional sensor mounting bracket **MS-GXL15**, the thru-hole diameter should be $\phi 3.4$ mm $\phi 0.134$ in.
- Screw, nut or washers are not supplied. Please arrange them separately.
- To mount the long sensing range type on a magnetic body, such as iron, the enclosed aluminum sheet, or any other aluminum sheet having a minimum size of 30 × 39.5 × t 0.3 mm 1.181 × 1.555 × t 0.012 in (**GXL-15HLU** type: 30 × 30 × t 0.3 mm 1.181 × 1.181 × t 0.012 in), should be inserted between the sensor and the magnetic body. However, it is not necessary to use the aluminum sheet when mounting on a non-magnetic body, such as, aluminum or an insulator.
- When mounting the inductive proximity sensor with the optional sensor mounting bracket **MS-GXL15-2**, if the bracket is mounted close to the sensing part, the bracket itself gets sensed and the operation becomes unstable. Make sure to mount such that the mounting holes of the sensor and those of the mounting bracket are in one horizontal straight line.



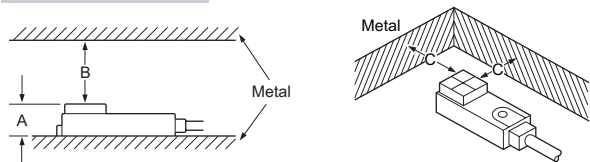
PRECAUTIONS FOR PROPER USE

Refer to General precautions.

Influence of surrounding metal

- When there is a metal near the sensor, keep the minimum separation distance specified below.

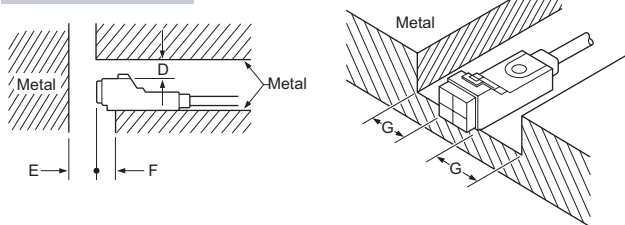
Front sensing type



	GXL-8F type	GXL-15FU type	GXL-15FLU type
A	7 mm 0.276 in	8 mm 0.315 in	8 mm 0.315 in (Note)
B	8 mm 0.315 in	20 mm 0.787 in	30 mm 1.181 in
C	3 mm 0.118 in	7 mm 0.276 in	10 mm 0.394 in

Note: The GXL-15FLU type should be mounted on an insulator or a non-magnetic body. To mount it on a magnetic body, such as iron, use the enclosed aluminum sheet.

Top sensing type



	GXL-8H type	GXL-15HU type	GXL-15HLU type
D	4 mm 0.157 in	6 mm 0.236 in	12 mm 0.472 in
E	10 mm 0.394 in	20 mm 0.787 in	30 mm 1.181 in
F	3 mm 0.118 in	0 mm 0 in	10 mm 0.394 in (Note)
G	3 mm 0.118 in	3 mm 0.118 in	10 mm 0.394 in

Note: When GXL-15HLU type is mounted on an insulator or a non-magnetic body, or seated on the enclosed aluminum sheet, the distance "F" can be zero.

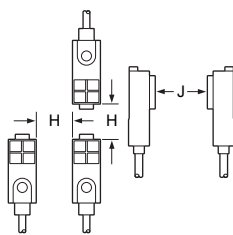
Mutual interference prevention

- When two or more sensors are installed in parallel or face to face, keep the minimum separation distance specified below to avoid mutual interference.

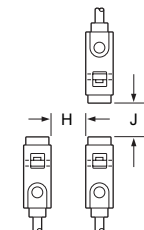
		H	J
GXL-8 type	Between "I" type and non "I" type	0 mm (Note 2)	15 mm 0.591 in
	Between two "I" types or two non "I" types	18 mm 0.709 in	30 mm 1.181 in
GXL-15FU GXL-15HU type	Between "I" type and non "I" type	0 mm (Note 2)	25 mm 0.984 in
	Between two "I" types or two non "I" types	30 mm 1.181 in	60 mm 2.362 in
GXL-15FLU GXL-15HLU type	Between "I" type and non "I" type	0 mm (Note 2)	25 mm 0.984 in
	Between two "I" types or two non "I" types	75 mm 2.953 in	90 mm 3.543 in

Notes: 1) "I" in the model No. specifies the different frequency type.
 2) Close mounting is possible for up to two sensors.
 When mounting three sensors or more at an equal spacing, align the model with "I" and the model without "I" alternately.
 The minimum value of dimension "H" should be as given below.
GXL-8 type: 5 mm 0.1975 in,
GXL-15FU/15HU type: 7.5 mm 0.295 in,
GXL-15FLU/15HLU type: 30 mm 1.181 in

Front sensing



Top sensing



Sensing range

- The sensing range is specified for the standard sensing object. With a non-ferrous metal, the sensing range is obtained by multiplying with the correction coefficient specified below. Further, the sensing range also changes if the sensing object is smaller than the standard sensing object or if the sensing object is plated.

Correction coefficient

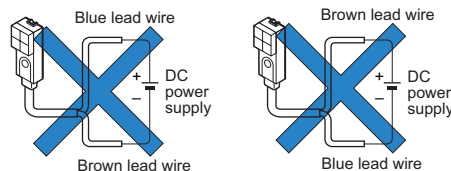
Model No.	GXL-8 type	GXL-15FU type	GXL-15HU GXL-15FLU GXL-15HLU type
Iron	1	1	1
Stainless steel (SUS304)	0.82 approx.	0.74 approx.	0.75 approx.
Brass	0.59 approx.	0.53 approx.	0.53 approx.
Aluminum	0.57 approx.	0.52 approx.	0.51 approx.

Others

- Do not use during the initial transient time (50 ms) after the power supply is switched on.

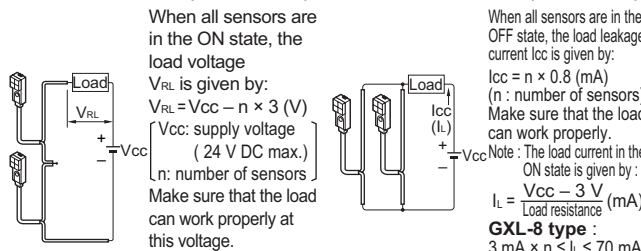
Wiring

- The sensor must be connected to a power supply via a load. If the sensor is connected to a power supply without a load, the short-circuit protection makes the sensor inoperable. (The output stays in the OFF state and the indicator does not light up.) In this case, rectify by connecting the power supply via a load. Now, the sensor becomes operable. Further, take care that if the power supply is connected with reverse polarity without a load, the sensor will get damaged.



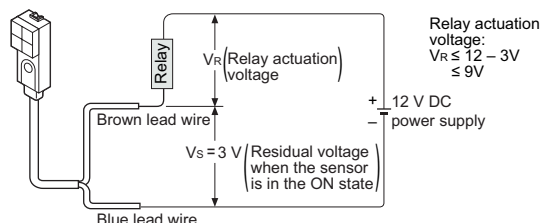
- For series connection (AND circuit) or parallel connection (OR circuit) of sensors, take care of the following.

Series connection (AND circuit) Parallel connection (OR circuit)



Note: The output is generated normally even if the indicator does not light up properly.

- The residual voltage of the sensor is 3 V. Before connecting a relay at the load, take care of its actuation voltage. (Some 12 V relays may not be usable.)



FIBER SENSORS
 LASER SENSORS
 PHOTO-ELECTRIC SENSORS
 MICRO PHOTO-ELECTRIC SENSORS
 AREA SENSORS
 LIGHT CURTAINS
 PRESSURE / FLOW SENSORS
 INDUCTIVE PROXIMITY SENSORS
 PARTICULAR USE SENSORS
 SENSOR OPTIONS
 SIMPLE WIRE-SAVING UNITS
 WIRE-SAVING SYSTEMS
 MEASUREMENT SENSORS
 STATIC CONTROL DEVICES
 ENDOSCOPE
 LASER MARKERS
 PLC / TERMINALS
 HUMAN MACHINE INTERFACES
 ENERGY CONSUMPTION VISUALIZATION COMPONENTS
 FA COMPONENTS
 MACHINE VISION SYSTEMS
 UV CURING SYSTEMS
 Selection Guide
 Amplifier Built-in
 Amplifier-separated
GX-F/H
GXL
GL
 GX-UGX-FU/
 GX-N
GX

- FIBER SENSORS
- LASER SENSORS
- PHOTO-ELECTRIC SENSORS
- MICRO PHOTO-ELECTRIC SENSORS
- AREA SENSORS
- LIGHT CURTAINS
- PRESSURE / FLOW SENSORS
- INDUCTIVE PROXIMITY SENSORS
- PARTICULAR USE SENSORS
- SENSOR OPTIONS
- SIMPLE WIRE-SAVING UNITS
- WIRE-SAVING SYSTEMS
- MEASUREMENT SENSORS
- STATIC CONTROL DEVICES
- ENDOSCOPE
- LASER MARKERS
- PLC/ TERMINALS
- HUMAN MACHINE INTERFACES
- ENERGY CONSUMPTION VISUALIZATION COMPONENTS
- FA COMPONENTS
- MACHINE VISION SYSTEMS
- UV CURING SYSTEMS

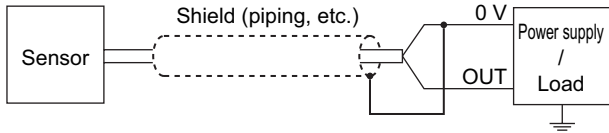
PRECAUTIONS FOR PROPER USE

Refer to General precautions.

Use conditions to comply with CE Marking

- Following work must be done in case of using this product as a CE Marking (European standard EMC Directive)conforming product.

Ensure that the shield is connected to 0 V.

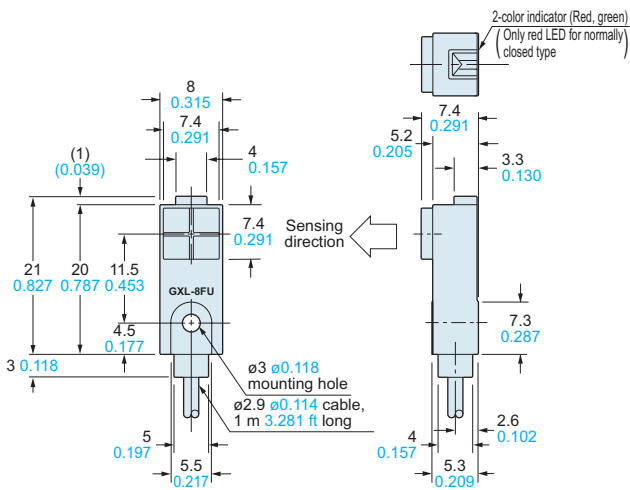


Note: The shield (piping, etc.) must be insulated.

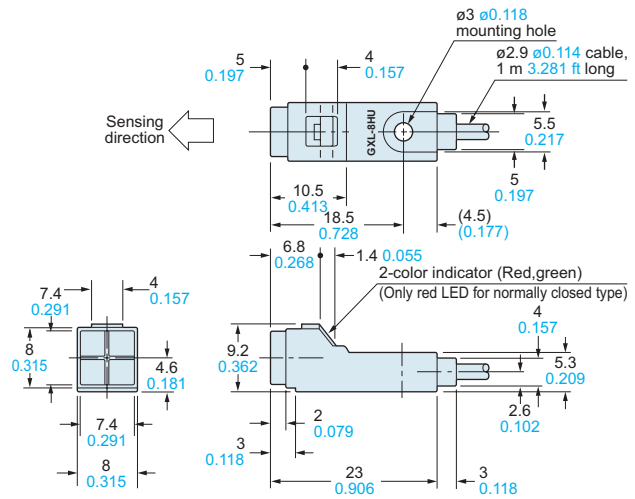
DIMENSIONS (Unit: mm in)

The CAD data in the dimensions can be downloaded from our website.

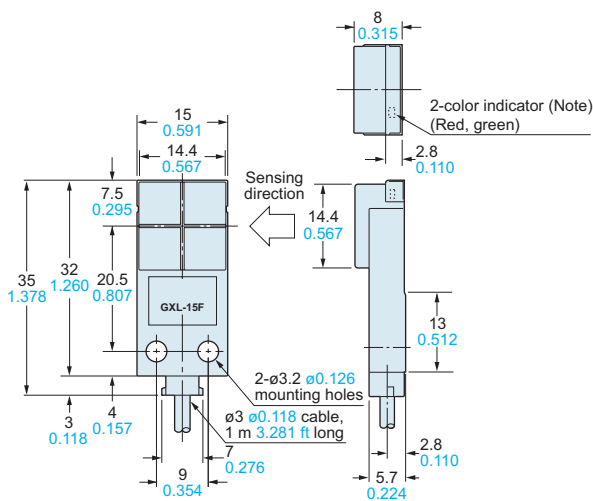
GXL-8FU type Sensor



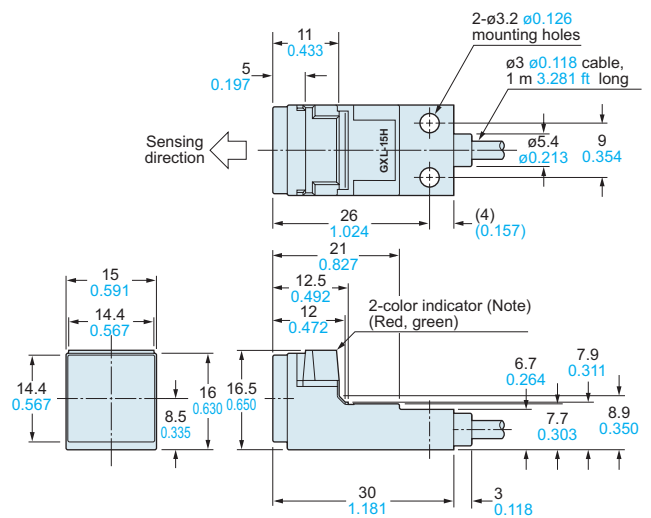
GXL-8HU type Sensor



GXL-15F type Sensor



GXL-15H type Sensor



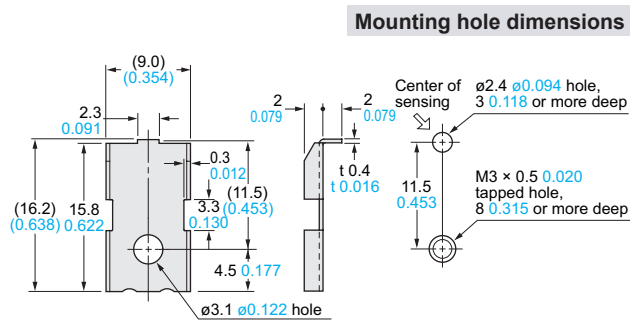
Note: Normally closed type have an operation indicator (red) instead of the 2-color indicator.

Note: Normally closed type have an operation indicator (red) instead of the 2-color indicator.

- Selection Guide
- Amplifier Built-in
- Amplifier-separated
- GX-F/H
- GXL
- GL
- GX-U/GX-FU/GX-N
- GX

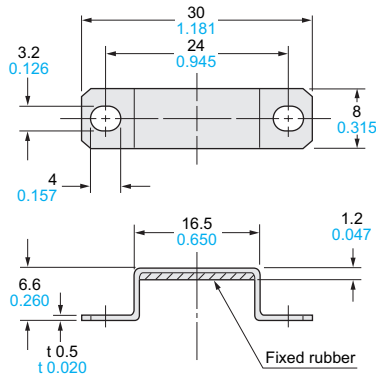
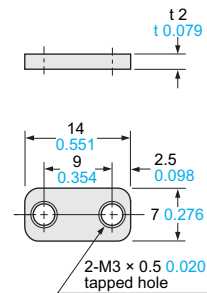
DIMENSIONS (Unit: mm in)

The CAD data in the dimensions can be downloaded from our website.

MS-GXL8-4 Sensor mounting bracket for GXL-8FU / GXL-8HU type (Accessory)

Material: Stainless steel (SUS304)

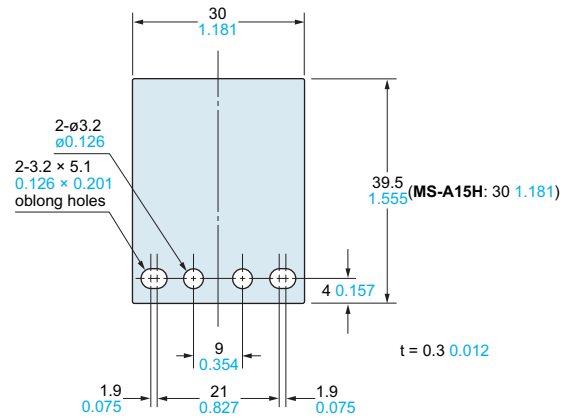
1 pc. each of M3 (length 12 mm 0.472 in) truss head screw, nut, spring washer and plain washer is attached.

MS-GXL15-2 Sensor mounting bracket for GXL-15F type (Optional)Material: Bracket ... Stainless steel (SUS304)
Fixed rubber ... FKM (Fluorine rubber)**MS-GXL15** Sensor mounting bracket for GXL-15 type (Optional)

Material: Cold rolled carbon steel (SPCC)

MS-A15F MS-A15H Aluminum sheet

(Accessory for GXL-15FLU / GXL-15HLU type)

FIBER
SENSORSLASER
SENSORSPHOTO-
ELECTRIC
SENSORS
MICRO
PHOTO-
ELECTRIC
SENSORSAREA
SENSORSLIGHT
CURTAINSPRESSURE /
FLOW
SENSORSINDUCTIVE
PROXIMITY
SENSORSPARTICULAR
USE
SENSORSSENSOR
OPTIONSSIMPLE
WIRE-SAVING
UNITSWIRE-SAVING
SYSTEMSMEASURE-
MENT
SENSORSSTATIC
CONTROL
DEVICES

ENDOSCOPE

LASER
MARKERSPLC /
TERMINALSHUMAN
MACHINE
INTERFACESENERGY
CONSUMPTION
VISUALIZATION
COMPONENTSFA
COMPONENTSMACHINE
VISION
SYSTEMSUV
CURING
SYSTEMSSelection
GuideAmplifier
Built-inAmplifier-
separated

GX-F/H

GXL

GL

GX-U/GX-FU/
GX-N

GX