

Round Type 2R Light Touch Switches

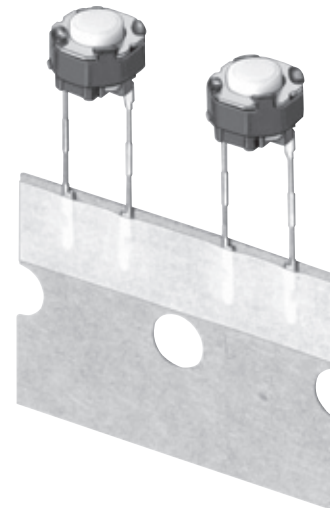
Type: **EVQ11**

■ Features

- External dimensions : 6.0 mm×6.0 mm, Height 3.9 mm (Excluding the push plate)
- The cast-processed terminals improve the mountability

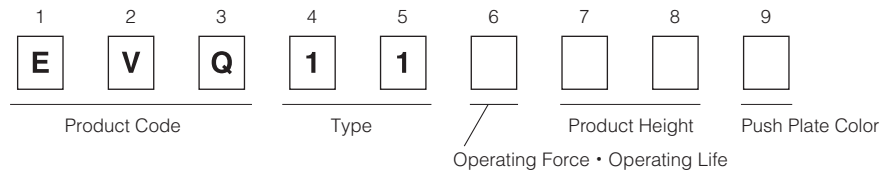
■ Recommended Applications

- Operating switches for electronic equipment



! To Be Discontinued
Last time buy: December 31, 2020

■ Explanation of Part Numbers



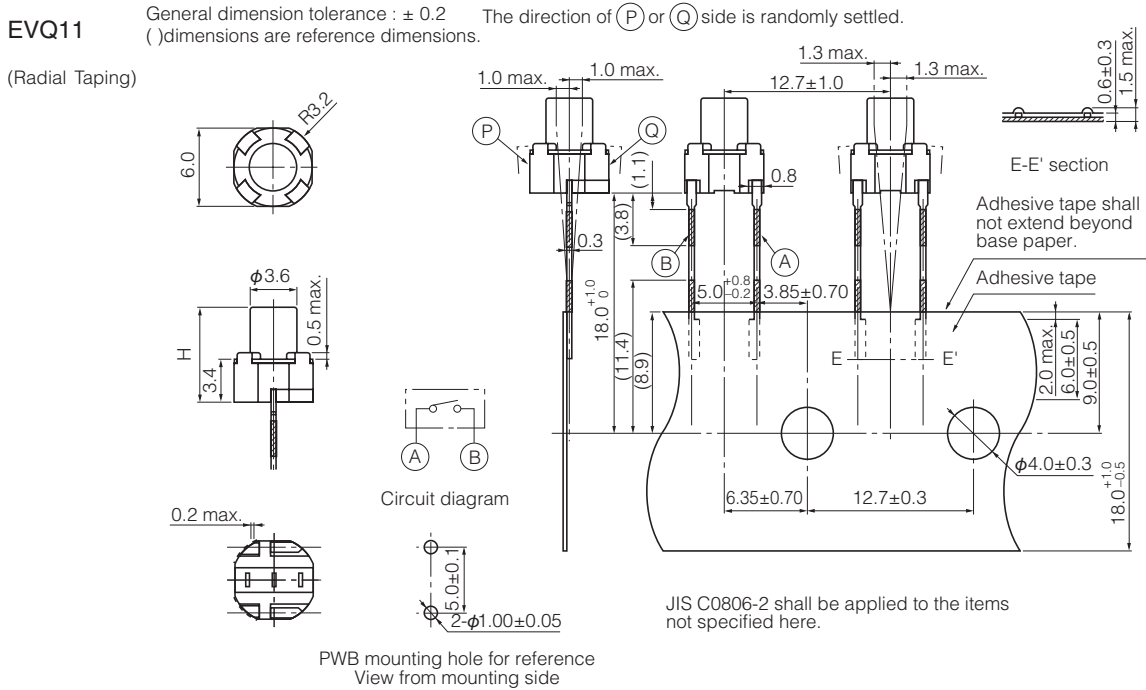
■ Specifications

| | | | |
|-------------------------------|---------------------------------|--|--------------------|
| Type | | Snap action/Push-on type SPST | |
| Electrical | Circuit Diagram | | |
| | Rating | 10 μA 2 V DC to 20 mA 15 V DC (Resistive load) | |
| | Contact Resistance | 50 mΩ max. | |
| | Insulation Resistance | 50 MΩ min. (at 100 V DC) | |
| | Dielectric Withstanding Voltage | 250 V AC for 1 minute | |
| | Bouncing | 3 ms max. (ON) 8 ms max. (OFF) | |
| Mechanical | Operating Force | 1.0 N±0.4 N 1.3 N±0.4 N 1.6 N±0.5 N | 2.6 N±0.6 N |
| | Travel | 0.25 mm±0.10 mm | |
| Endurance | Operating Life | 100,000 cycles min.* | 50,000 cycles min. |
| Operating Temperature | | -20 °C to +70 °C | |
| Storage Temperature | | -40 °C to +85 °C (Bulk) -20 °C to +40 °C (Taping) | |
| Minimum Quantity/Packing Unit | | 2,500 pcs. Radial Taping (Reel Pack) | |
| Quantity/Carton | | 25,000 pcs. | |

* 1 million cycles also available, consult our salesmen.

Design and specifications are each subject to change without notice. Ask factory for the current technical specifications before purchase and/or use. Should a safety concern arise regarding this product, please be sure to contact us immediately.

■ Dimensions in mm (not to scale)



| Part Numbers | Operating Force | H=Height | Push Plate Color | Operating Life |
|--------------|-----------------|----------|------------------|------------------|
| EVQ11A04M | 1.0N | 4.3 mm | White | 100,000 cycles |
| EVQ11A05R | 1.0N | 5.0 mm | Red | 100,000 cycles |
| EVQ11A07K | 1.0N | 7.0 mm | Black | 100,000 cycles |
| EVQ11A09K | 1.0N | 9.5 mm | Black | 100,000 cycles |
| EVQ11D04K | 1.0N | 4.3 mm | Black | 1,000,000 cycles |
| EVQ11D05B | 1.0N | 5.0 mm | Blue | 1,000,000 cycles |
| EVQ11D07K | 1.0N | 7.0 mm | Black | 1,000,000 cycles |
| EVQ11D09K | 1.0N | 9.5 mm | Black | 1,000,000 cycles |
| EVQ11G04M | 1.3N | 4.3 mm | White | 100,000 cycles |
| EVQ11G05R | 1.3N | 5.0 mm | Red | 100,000 cycles |
| EVQ11G07K | 1.3N | 7.0 mm | Black | 100,000 cycles |
| EVQ11G09K | 1.3N | 9.5 mm | Black | 100,000 cycles |
| EVQ11K04K | 1.3N | 4.3 mm | Black | 1,000,000 cycles |
| EVQ11K05B | 1.3N | 5.0 mm | Blue | 1,000,000 cycles |
| EVQ11K07K | 1.3N | 7.0 mm | Black | 1,000,000 cycles |
| EVQ11K09K | 1.3N | 9.5 mm | Black | 1,000,000 cycles |
| EVQ11L04M | 1.6N | 4.3 mm | White | 100,000 cycles |
| EVQ11L05R | 1.6N | 5.0 mm | Red | 100,000 cycles |
| EVQ11L07K | 1.6N | 7.0 mm | Black | 100,000 cycles |
| EVQ11L09K | 1.6N | 9.5 mm | Black | 100,000 cycles |
| EVQ11Y04K | 1.6N | 4.3 mm | Black | 1,000,000 cycles |
| EVQ11Y05B | 1.6N | 5.0 mm | Blue | 1,000,000 cycles |
| EVQ11Y07K | 1.6N | 7.0 mm | Black | 1,000,000 cycles |
| EVQ11Y09K | 1.6N | 9.5 mm | Black | 1,000,000 cycles |
| EVQ11U04M | 2.6N | 4.3 mm | White | 50,000 cycles |
| EVQ11U05R | 2.6N | 5.0 mm | Red | 50,000 cycles |
| EVQ11U07K | 2.6N | 7.0 mm | Black | 50,000 cycles |
| EVQ11U09K | 2.6N | 9.5 mm | Black | 50,000 cycles |
| EVQ11V04K | 2.6N | 4.3 mm | Black | 100,000 cycles |
| EVQ11V05B | 2.6N | 5.0 mm | Blue | 100,000 cycles |
| EVQ11V07K | 2.6N | 7.0 mm | Black | 100,000 cycles |
| EVQ11V09K | 2.6N | 9.5 mm | Black | 100,000 cycles |

Design and specifications are each subject to change without notice. Ask factory for the current technical specifications before purchase and/or use.
Should a safety concern arise regarding this product, please be sure to contact us immediately.