

Metallized Polyester Film Capacitor

Type: **ECQE(H)**

Non-inductive construction using metallized Polyester film with flame retardant epoxy resin coating for active filter

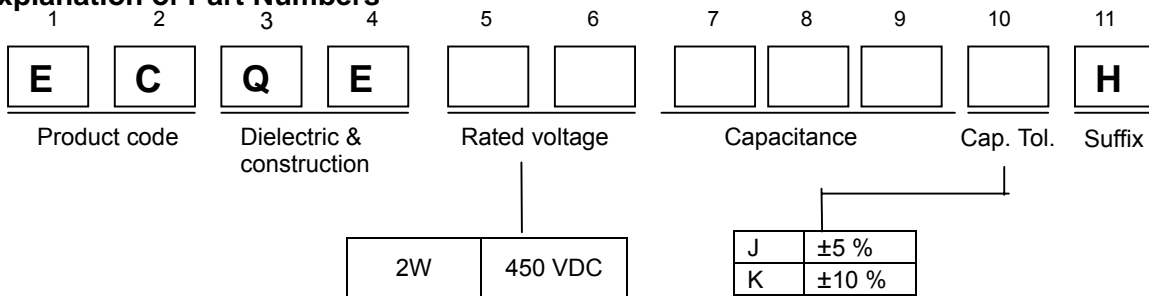
■ Features

- Smaller size
- Self-healing property
- Excellent electrical characteristics
- Flame retardant epoxy resin coating
- RoHS directive compliant

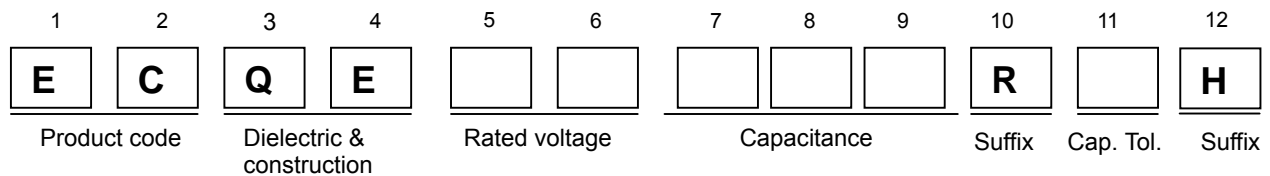
■ Recommended Applications

- Active filter circuit

■ Explanation of Part Numbers



■ Explanation of Part Number for Odd size taping

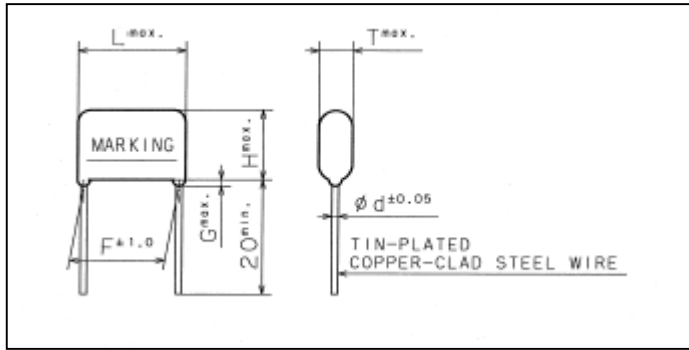


■ Specifications

Category temp. range	-40 °C to +105 °C
Rated voltage	450 VDC (Derating of rated voltage by 1.25 %/°C at more than 85 °C)
Capacitance range	0.47 μF to 2.2 μF (E6)
Capacitance tolerance	±5 % (J), ±10 % (K)
Dissipation factor	1.0 % or less. (20 °C, 1 kHz)
Withstand voltage	Between terminals : Rated voltage (VDC)×150 % 60 s Between terminals to enclosure : Rated voltage (VDC)×200 % 1 s to 5 s
Insulation resistance	3000 MΩ·μF or more. (20 °C, 100 VDC, 60 s)

*Application of this capacitor is limited to active filter circuit after the circuit of all wave rectification.

■Dimensions in mm (not to scale)

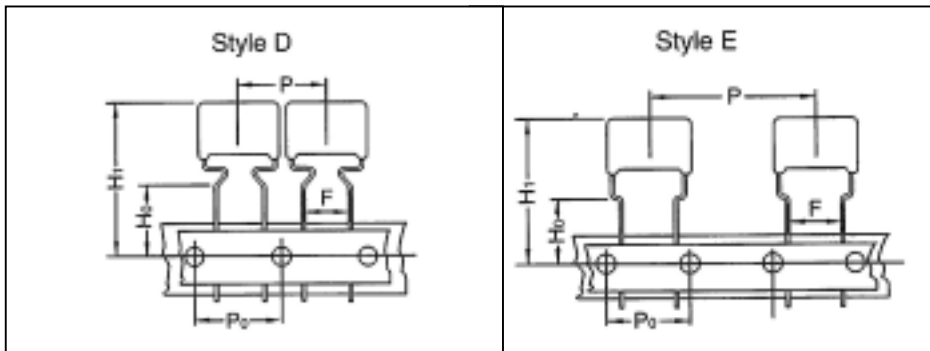


■Packaging Specification for Bulk Package

Packing quantity: 100 pcs./bag

■Taping Specifications for Automatic Insertion

•Taping style



*Refer to the page of taping specifications.

•Packaging Specifications

Type	Rated voltage	Cap. Range (µF)	Taping Style					Packing
			AD	AS	B	C	D	
ECQE(H)	450 VDC	0.47					○	.
		0.68 to 1.0						○

•Lead Spacing

Style	Lead spacing
D	7.5 mm
E	7.5 mm

* See the column "Rating, Dimensions & Quantity Box" for packing quantity.

■Rating, Dimension & Quantity / Ammo Box

•Rated voltage : 450 VDC , Capacitance tolerance : ± 5 % (J) ± 10 % (K)

Part No.	Capacitance (µF)	Dimensions (mm)						Quantity	
		L ^{max}	T ^{max}	H ^{max}	F	G	Ød	7.5mm	Ammo
ECQE2W474□H	0.47	12.7	7.7	16.0	10.0	1.0	0.6	800	
ECQE2W684□H	0.68	18.2	6.9	15.3	15.0	1.0	0.8	500	
ECQE2W105□H	1.0	18.2	8.5	16.9	15.0	1.0	0.8	400	
ECQE2W155□H	1.5	25.7	7.9	16.2	22.5	1.0	0.8	-	
ECQE2W225□H	2.2	25.7	9.4	19.7	22.5	1.0	0.8	-	

↑ Capacitance tolerance code