

# OPTOTRONIC®



## Phase-Cut Dimmable Constant Current LED Power Supplies



OPTOTRONIC phase-cut dimmable series are high efficiency, compact, constant current, LED power supplies. They are available in a wide range of pre-configured output currents between 250mA to 700mA.

OPTOTRONIC phase-cut dimmable power supplies set the industry standard for smooth and flicker-free dimming. They are compatible with both leading edge (incandescent) and trailing edge (Electronic Low Voltage - ELV) phase-cut type dimmers.

### Application Information

#### Applications

- Ceiling mount
- Downlights
- Track lighting
- Wall sconces


### Key Features & Benefits

- Wide selection of pre-configured drive currents between 250mA and 700mA
- Compact form factor, ideal for sleek fixture designs
- Broad ambient operating range for use in extreme application conditions
- High power factor and efficiency
- Available in two housing styles - F-Style and J-Style with PEM studs
- Short circuit, open circuit, overload and overheat protection for sustained performance
- Integrated phase-cut dimming – compatible with both Leading Edge (incandescent) and Trailing Edge (ELV) phase-cut type dimmers at 120V
- UL Class 2 output for safe operation


### Product Offering

Maximum Output Power	Housing Type	Output Current (mA)
20	F-Style	350
	J-Style	
20	F-Style	400
	J-Style	
20	F-Style	500
	J-Style	
20	F-Style	700
	J-Style	
18	F-Style	600
	J-Style	
15	F-Style	500
	J-Style	
13	F-Style	250
	J-Style	
12	F-Style	400
	J-Style	

### Specifications and Certifications

 UL8750 Class 2 Recognized

 CSA Approved

 RoHS Compliant

FCC 47CFR Part 15 Class B Compliant



## Specification Data

Catalog #	Type
Project	
Comments	
Prepared by	

### Electrical Specifications

Nominal Input Voltage (VAC)	Nominal Input Current (A)	THD	Power Factor	Efficiency	Load Regulation	Dimming Mode	Dimming Range	Dimming Control	Location Rating	UL File #
120-277	0.25@120V 0.1@277V	<20% at 120V <35% at 277V	>0.9	>83%	<5%	Current Reduction	10 - 100%	Phase Cut @ 120V	Dry & Damp	E320395

### Ordering Information

Item Number	Ordering Abbreviation	Max. Output Power (W)	Output Current (mA)	Output Voltage Range (Voc)	Housing Type
79423	OT20W/350C/UNV/PC	20	350	28-55	F-Style
79428	OT20W/350C/UNV/PC/J	20	350	28-55	J-Style
79422	OT20W/400C/UNV/PC	20	400	28-50	F-Style
79427	OT20W/400C/UNV/PC/J	20	400	28-50	J-Style
79421	OT20W/500C/UNV/PC	20	500	28-40	F-Style
79426	OT20W/500C/UNV/PC/J	20	500	28-40	J-Style
79420	OT20W/700C/UNV/PC	20	700	16-29	F-Style
79425	OT20W/700C/UNV/PC/J	20	700	16-29	J-Style
79429	OT18W/600C/UNV/PC	18	600	20-30	F-Style
79424	OT18W/600C/UNV/PC/J	18	600	20-30	J-Style
79419	OT15W/500C/UNV/PC	15	500	18-30	F-Style
79418	OT15W/500C/UNV/PC/J	15	500	18-30	J-Style
79412	OT13W/250C/UNV/PC	13	250	28-55	F-Style
79413	OT13W/250C/UNV/PC/J	13	250	28-55	J-Style
79375	OT12W/400C/UNV/PC	12	400	18-30	F-Style
79374	OT12W/400C/UNV/PC/J	12	400	18-30	J-Style

### Ordering Guide

OT	20W	/	700C	/	UNV	/	PC	/	J
OPTOTRONIC®	Wattage		Output Current		Input Voltage (120-277V)		Phase-Cut Dimmable		J-Style Housing

### Minimum and Maximum Ratings

Parameter	Values
Input Voltage and Frequency	108-305 V <sub>AC</sub> & 50/60 Hz
Max. Case Temperature (T <sub>c</sub> point)	90°C (194°F)
Max. Case Temperature for 5 Year Life and Warranty	75°C (167°F)
Operating Temperature	-40 to +50°C (-40 to +122°F)
Storage Temperature	70°C (158°F)
Humidity (Non-Condensing)	85% Max

## Assembly Diagram

### Packaging:

Quantity: 25 pieces/case

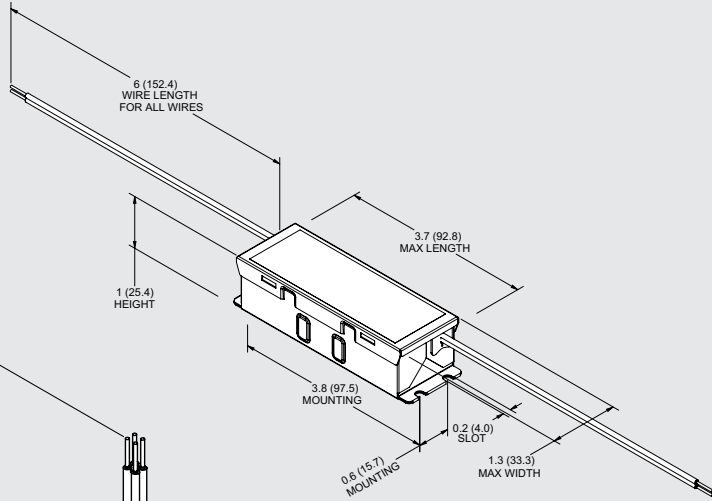
Weight: 0.39 lbs each  
9.8 lbs/case

Wiring: Leads only

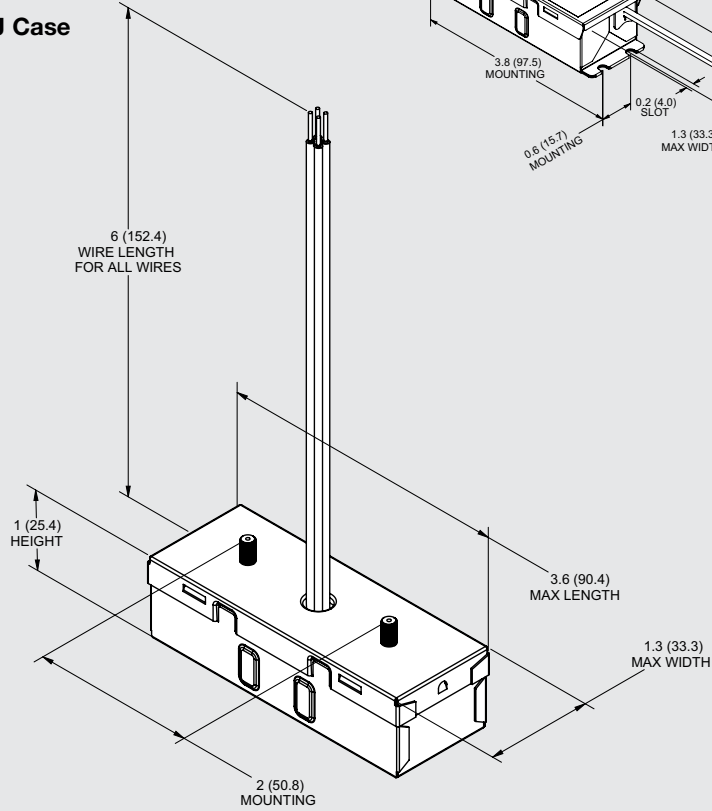
Input: 6" (18AWG)  
Black and White wires

Output: 6" (18AWG)  
Red (+) and Blue (-) wires

### F Case



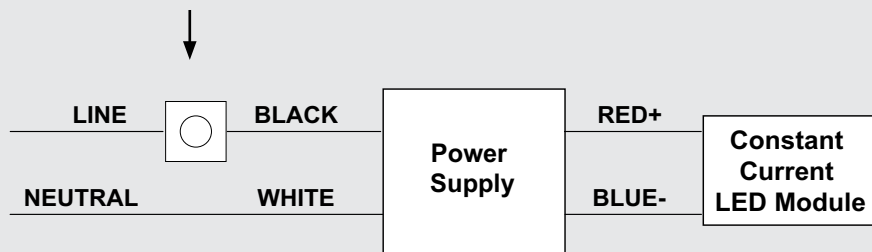
### J Case



Dimensions: in (mm)

## Wiring Diagram

### Leading Edge (Triac) or Trailing Edge (ELV) Phase-Cut Dimmer



---

## Warranty

OPTOTRONIC® products are covered by our LED Module, OPTOTRONIC Power Supply or control Warranty. For additional details, refer to the latest version of the warranty (LED089) available at [www.osram-americas.com/LED](http://www.osram-americas.com/LED).

## OSRAM

Americas Headquarters

OSRAM SYLVANIA Inc.

100 Endicott Street

Danvers, MA 01923 USA

Phone 1-800-LIGHTBULB (1-800-544-4828)

[www.osram-americas.com](http://www.osram-americas.com)

OSRAM, OPTOTRONIC and LED CREATING TOMORROW are registered trademarks of OSRAM GmbH.  
Specifications subject to change without notice.

© 2014 OSRAM

