

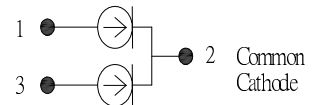
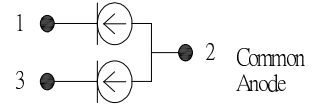
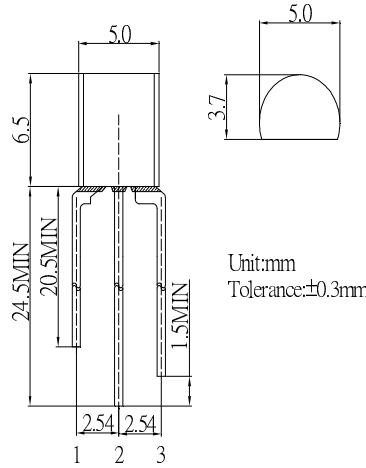
**CURRENT REGULATIVE DIODE (CRD)**

**■ Outline Dimension**

- CRD is a diode which supplies constant current to an electric circuit, when power supply voltage fluctuations or load impedance fluctuations occur.
- CRD is used for current stabilization and current limiting.
- CRD is offered on TO-92

**■ Features**

- Robust Power Package:460mW
- Wide Operating Voltage Range
- Immediate Turn-On
- Voltage Surge Suppressing – Protecting LEDs



**■ Absolute Maximum Rating**

(Ta=25°C)

Item	Symbol	Value	Unit
Junction Temperature	Tj	125	°C
Storage Temperature	Tstg	-40~ +125	°C
Collector Dissipation	Pc	0.75*2	W

**■ Electrical -Optical Characteristics**

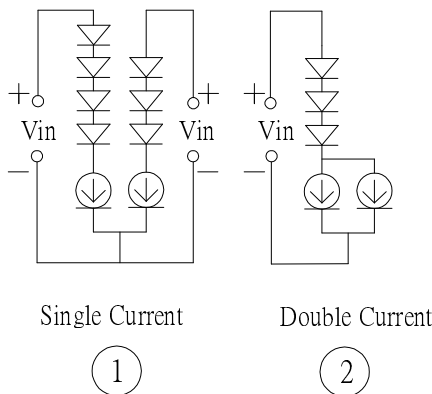
(Ta=25°C)

Part Number	Color Marking	Constant Current(IH)		Turn-on voltage(Vk)		Limiting ratio (Kc)	Withstand Voltage (V)
		IH	Voltage(v)	Vk(V)	Ik ( MA)	I30v/I10v	
OSCRDT216-A	Light Green Diffused	13-18	20	≤3.5	≤0.8IH	≤1.1	>70
OSCRDT216-C	Light Blue Diffused	13-18	20	≤3.5	≤0.8IH	≤1.1	>70
OSCRDT235-A	Dark Green Diffused	28-36	20	≤3.5	≤0.8IH	≤1.1	>70
OSCRDT235-C	Dark Blue Diffused	28-36	20	≤3.5	≤0.8IH	≤1.1	>70

**■ Application**

- Automobile: Chevron Side Mirror Markers, Cluster, Display & Instrument Backlighting, CHMSL, Map Light
- DC Lighting Panels, Display Signage, Decorative Lighting, Channel Lettering
- Switch Contact Wetting

**■ Application Information**



**■ Basic Characteristics**

