

# Type ACB-12-N / ACB-24-N Auto Reset Circuit Breaker Automotive Type I Metal Without Bracket



www.optifuse.com (619) 593-5050

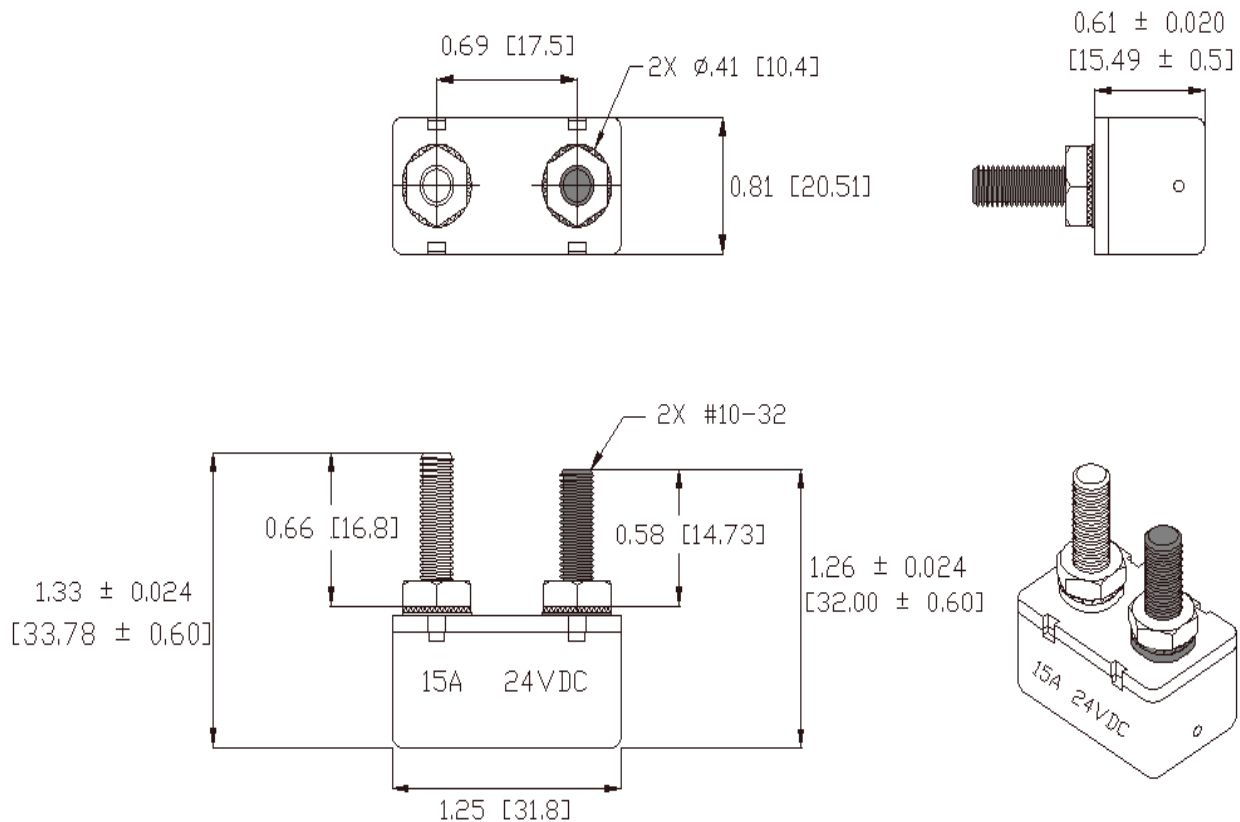
## Specifications:


- Auto Reset Type Circuit Breaker
- Voltage: 12V or 24V
- Amperage: 10A, 15A, 20A, 25A, 30A, 35A, 40A, 50A
- Terminals: Battery – Copper Plate (0.58”), Auxiliary – Zinc Plate (0.66”)
- Conforms to American National Standard SAE J553
- Body: Steel Case
- Operating Temperature: -10° F ~ 150° F
- Storage Temperature: -20° F ~ 200° F

## Current Rating:

| Rating      | Open Time |
|-------------|-----------|
| 100% ± 1.5% | > 30 Min  |
| 135% ± 1.5% | < 30 Min  |
| 200% ± 1.5% | < 1 Min   |

## Mechanical Dimensions: Inches [mm]



|   |  |
|---|--|
|  | <p><b>Warning:</b></p> <ul style="list-style-type: none"> <li>-Operation beyond the specified maximum ratings or improper use may result in damage and possible electrical arcing and/or flame.</li> <li>-Device are intended for occasional overcurrent protection. Application for repeated overcurrent condition and/or prolonged trip are not anticipated.</li> <li>-Avoid contact of device with chemical solvent. Prolonged contact will damage the device performance.</li> </ul> |
|---|--|