

PCA9517A

Level-Translating I²C-Bus Repeater

The PCA9517A is an I²C-bus repeater that provides level shifting between low voltage (down to 0.9 V) and higher voltage (2.7 V to 5.5 V) for I²C-bus or SMBus applications.

Features

- 2 Channel, Bidirectional Buffer Isolates Capacitance and Allows 400 pF on Either Side of the Device
- Voltage Level Translation from 0.9 V to 5.5 V and from 2.7 V to 5.5 V
- Footprint and Functional Replacement for PCA9515/15A
- I²C-bus and SMBus Compatible
- Active HIGH Repeater Enable
- Open-Drain Inputs/Outputs
- Lock-up Free Operation
- Supports Arbitration and Clock Stretching Across the Repeater, and Multiple Masters
- I²C and SMBus SCL Clock Frequency up to 1 MHz (The maximum system operating frequency may be less than 1 MHz because of the delays added by the repeater.)
- Powered-Off High-Impedance I²C-bus Pins
- A Side Operating Supply Voltage Range of 0.9 V to 5.5 V
- B Side Operating Supply Voltage Range of 2.7 V to 5.5 V
- 5 V Tolerant I²C-bus and Enable Pins
- Available in: Micro-8, SOIC8
- ESD Performance: 8 kV HBM, 700 V MM, 2000 V CDM
- These are Pb-Free Devices



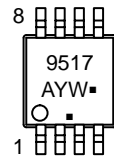
ON Semiconductor®

www.onsemi.com

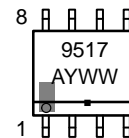


Micro8™
DM SUFFIX
CASE 846A

MARKING DIAGRAMS



SOIC-8
CASE 751



A = Assembly Location
L = Wafer Lot
M = Date Code
Y = Year
W = Work Week
▪ = Pb-Free Package

(Note: Microdot may be in either location)

ORDERING INFORMATION

See detailed ordering and shipping information on page 12 of this data sheet.

PCA9517A

General Description

The PCA9517A is an I²C-bus repeater that provides level shifting between low voltage (down to 0.9 V) and higher voltage (2.7 V to 5.5 V) for I²C-bus or SMBus applications. While retaining all the operating modes and features of the I²C-bus system during the level shifts, it also permits extension of the I²C-bus by providing bidirectional buffering for both the data (SDA) and the clock (SCL) lines, thus enabling two buses of 400 pF. Using the PCA9517A enables the system designer to isolate two halves of a bus for both voltage and capacitance. The SDA and SCL pins are overvoltage tolerant and are high-impedance when the PCA9517A is unpowered.

The 2.7 V to 5.5 V bus B side drivers behave much like the drivers on the PCA9515A device, while the adjustable voltage bus A side drivers drive more current and eliminate the static offset voltage. This results in a LOW on the B side translating into a nearly 0 V LOW on the A side which accommodates smaller voltage swings of lower voltage logic.

The static offset design of the B side PCA9517A I/O drivers prevents them from being connected to another device that has a rise time accelerator including the PCA9510, PCA9511, PCA9512, PCA9513, PCA9514,

PCA9515A, PCA9516A, PCA9517A (port B), or PCA9518. The A side of two or more PCA9517As can be connected together, however, to allow a star topology with the A side on the common bus, and the A side can be connected directly to any other buffer with static or dynamic offset voltage. Multiple PCA9517As can be connected in series, A side to B side, with no build-up in offset voltage with only time-of-flight delays to consider.

The PCA9517A drivers are not enabled unless the bus is idle, $V_{CC(A)}$ is above 0.8 V and $V_{CC(B)}$ is above 2.5 V. The EN pin can also be used to turn the drivers on and off under system control. Caution should be observed to only change the state of the enable pin when the bus is idle.

The output pull-down on the B side internal buffer LOW is set for approximately 0.5 V, while the input threshold of the internal buffer is set about 70 mV lower (0.43 V). When the B side I/O is driven LOW internally, the LOW is not recognized as a LOW by the input. This prevents a lock-up condition from occurring. The output pull-down on the A side drives a hard LOW and the input level is set at $0.3 V_{CC(A)}$ to accommodate the need for a lower LOW level in systems where the low voltage side supply voltage is as low as 0.9 V.

BLOCK DIAGRAM

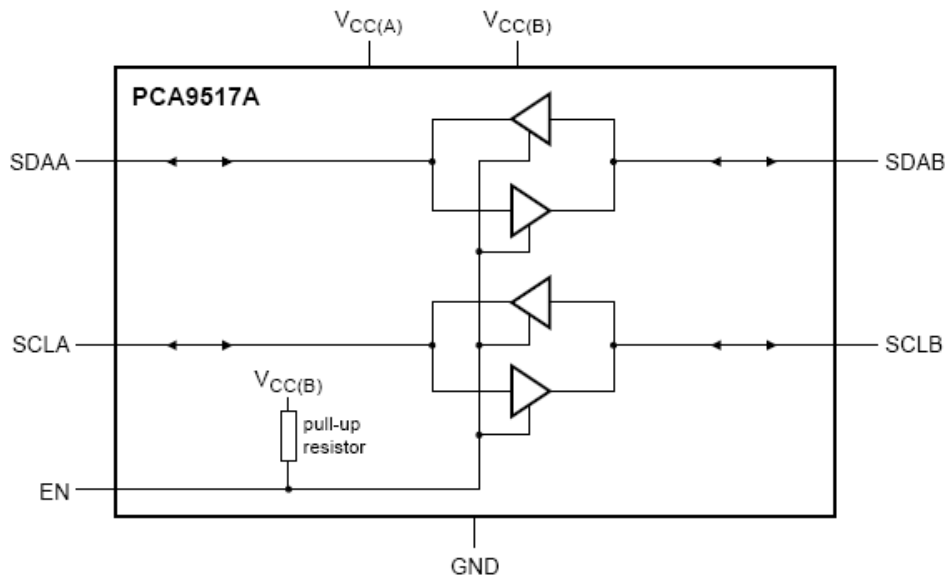


Figure 1. Block Diagram of PCA9517A

PCA9517A

PIN ASSIGNMENT

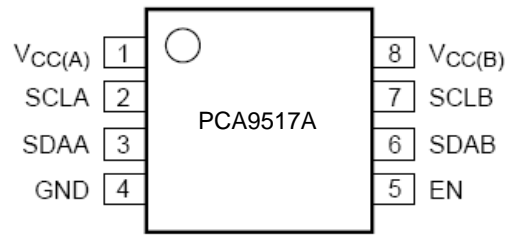


Figure 2. SOIC8 / Micro8

PIN DESCRIPTIONS

Symbol	Pin	Description
$V_{CC(A)}$	1	A-Side Supply Voltage (0.9 V to 5.5 V)
SCLA	2	Open-Drain I/O, Serial Clock A-Side Bus
SDAA	3	Open-Drain I/O, Serial Data A-Side Bus
GND	4	Ground
EN	5	Active-HIGH Repeater Enable
SDAB	6	Open-Drain I/O, Serial Data B-Side Bus
SCLB	7	Open-Drain I/O, Serial Clock B-Side Bus
$V_{CC(B)}$	8	B-Side Supply Voltage (2.7 V to 5.5 V)

FUNCTIONAL DESCRIPTION

Please refer to Figure 1 “Block Diagram of PCA9517A”.

The PCA9517A enables I²C-bus or SMBus translation down to $V_{CC(A)}$ as low as 0.9 V without degradation of system performance. The PCA9517A contains two bidirectional open-drain buffers specifically designed to support up-translation/down-translation between the low voltage (as low as 0.9 V) and a 3.3 V or 5 V I²C-bus or SMBus. All inputs and I/Os are overvoltage tolerant to 5.5 V even when the device is unpowered ($V_{CC(B)}$ and/or $V_{CC(A)} = 0$ V). The PCA9517A includes a power-up circuit that keeps the output drivers turned off until $V_{CC(B)}$ is above 2.5 V and the $V_{CC(A)}$ is above 0.8 V. $V_{CC(B)}$ and $V_{CC(A)}$ can be applied in any sequence at power-up.

After power-up and with the enable (EN) HIGH, a LOW level on port A (below $0.3 V_{CC(A)}$) turns the corresponding port B driver (either SDA or SCL) on and drives port B down to about 0.5 V. When port A rises above $0.3 V_{CC(A)}$, the port B pull-down driver is turned off and the external pull-up resistor pulls the pin HIGH. When port B falls first and goes below $0.3 V_{CC(B)}$, the port A driver is turned on and port A pulls down to 0 V. The port B pull-down is not enabled unless the port B voltage goes below 0.4 V. If the port B low voltage does not go below 0.5 V, the port A driver will turn off when port B voltage is above $0.7 V_{CC(B)}$. If the port B low voltage goes below 0.4 V, the port B pull-down driver is enabled and port B will only be able to rise to 0.5 V until

port A rises above $0.3 V_{CC(A)}$, then port B will continue to rise being pulled up by the external pull-up resistor. The $V_{CC(A)}$ is only used to provide the $0.3 V_{CC(A)}$ reference to the port A input comparators and for the power good detect circuit. The PCA9517A logic and all I/Os are powered by the $V_{CC(B)}$ pin.

Enable Pin (EN)

The EN pin is active HIGH with an internal pull-up to $V_{CC(B)}$ and allows the user to select when the repeater is active. This can be used to isolate a badly behaved slave on power-up until after the system power-up reset. It should never change state during an I²C-bus operation because disabling during a bus operation will hang the bus and enabling part way through a bus cycle could confuse the I²C-bus parts being enabled.

The EN pin should only change state when the global bus and the repeater port are in an idle state to prevent system failures.

I²C-Bus Systems

As with the standard I²C-bus system, pull-up resistors are required to provide the logic HIGH levels on the buffered bus (standard open-collector configuration of the I²C-bus). The size of these pull-up resistors depends on the system, but each side of the repeater must have a pull-up resistor.

PCA9517A

This part designed to work with Standard-mode, Fast-mode and Fast-mode+ I²C-bus devices, in addition to SMBus devices. Standard-mode I²C-bus devices only specify 3 mA output drive; this limits the termination current to

3 mA in a generic I²C-bus system where Standard-mode devices and multiple masters are possible. Under certain conditions, higher termination currents can be used.

APPLICATION DESIGN-IN INFORMATION

A typical application is shown in Figure 3. In this example, the system master is running on a 3.3 V I²C-bus

while the slave is connected to a 1.2 Vbus. Both buses run at 400 kHz. Master devices can be placed on either bus.

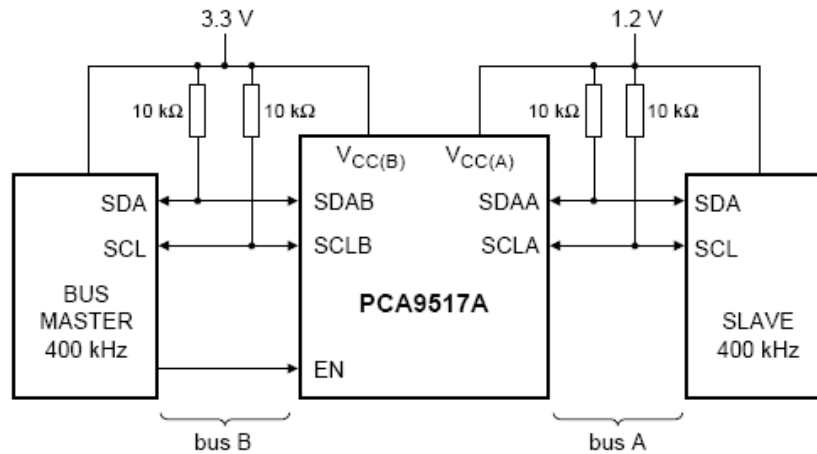


Figure 3. Typical Application

The PCA9517A is 5 V tolerant, so it does not require any additional circuitry to translate between 0.9 V to 5.5 V bus voltages and 2.7 V to 5.5 V bus voltages.

When the A side of the PCA9517A is pulled LOW by a driver on the I²C-bus, a comparator detects the falling edge when it goes below 0.3 V_{CC(A)} and causes the internal driver on the B side to turn on, causing the B side to pull down to about 0.5 V. When the B side of the PCA9517A falls, first a CMOS hysteresis type input detects the falling edge and

causes the internal driver on the A side to turn on and pull the A side pin down to ground. In order to illustrate what would be seen in a typical application, refer to Figures 4 and 5. If the bus master in Figure 3 were to write to the slave through the PCA9517A, waveforms shown in Figure 4 would be observed on the A bus. This looks like a normal I²C-bus transmission except that the HIGH level may be as low as 0.9 V, and the turn on and turn off of the acknowledge signals are slightly delayed.

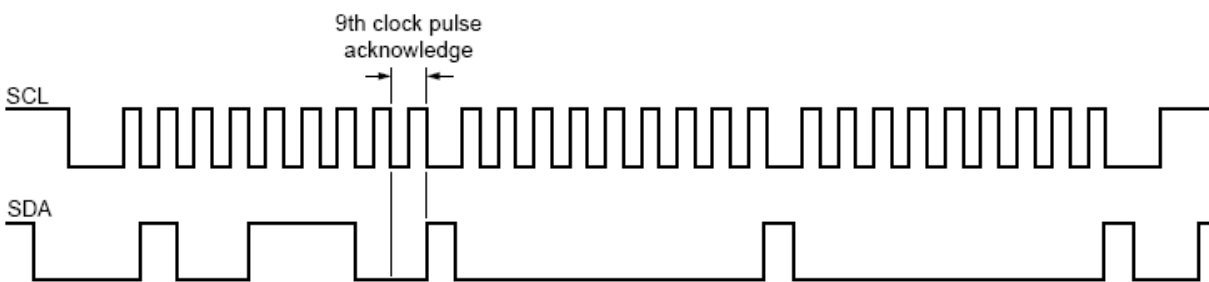


Figure 4. Bus A (0.9 V to 5.5 V Bus) Waveform

On the B bus side of the PCA9517A (Figure 5), the clock and data lines would have a positive offset from ground equal to the V_{OL} of the PCA9517A. After the 8th clock pulse, the data line will be pulled to the V_{OL} of the slave device, which is very close to ground in this example. At the end of the acknowledge, the level rises only to the LOW level set by the driver in the PCA9517A for a short delay

while the A bus side rises above 0.3V_{CC(A)}, then it continues HIGH. It is important to note that any arbitration or clock stretching events require that the LOW level on the B bus side at the input of the PCA9517A (V_{IL}) be at or below 0.4 V to be recognized by the PCA9517A and then transmitted to the A bus side.

PCA9517A

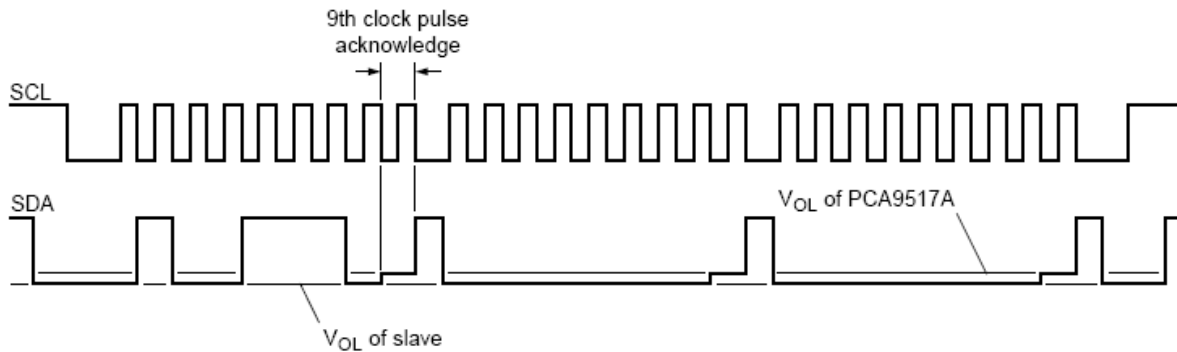


Figure 5. Bus B (2.7 V to 5.5 V Bus) Waveform

Multiple PCA9517A A sides can be connected in a star configuration (Figure 6), allowing all nodes to communicate with each other.

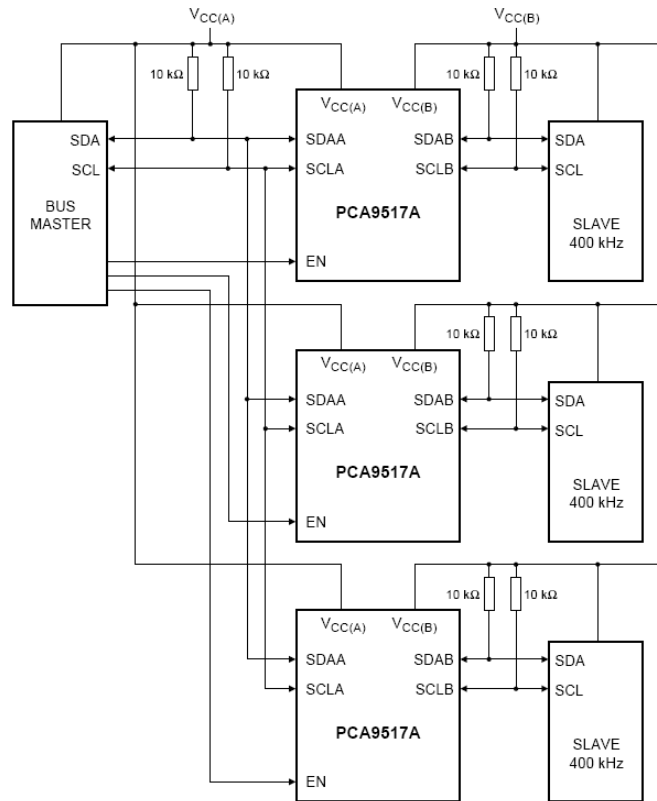


Figure 6. Typical Star Application

Multiple PCA9517As can be connected in series (Figure 7) as long as the A side is connected to the B side. I²C-bus slave devices can be connected to any of the bus

segments. The number of devices that can be connected in series is limited by repeater delay/time-of-flight considerations on the maximum bus speed requirements.

PCA9517A

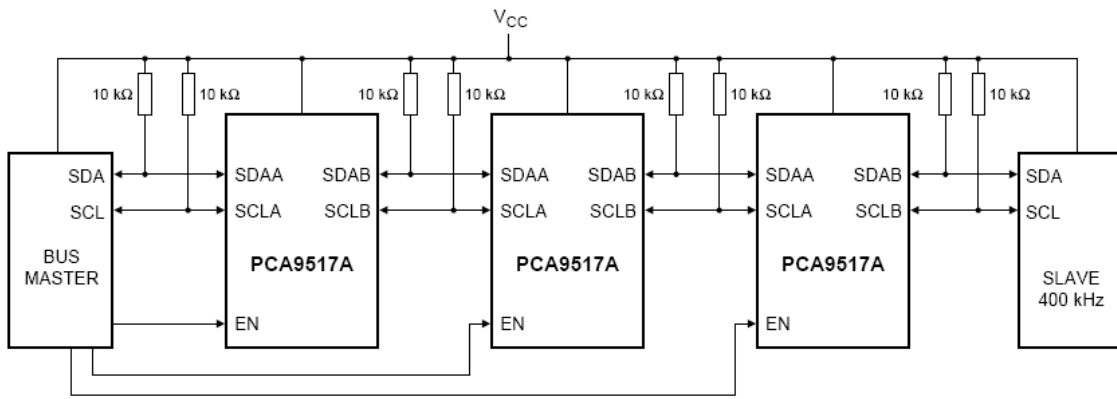


Figure 7. Typical Series Application

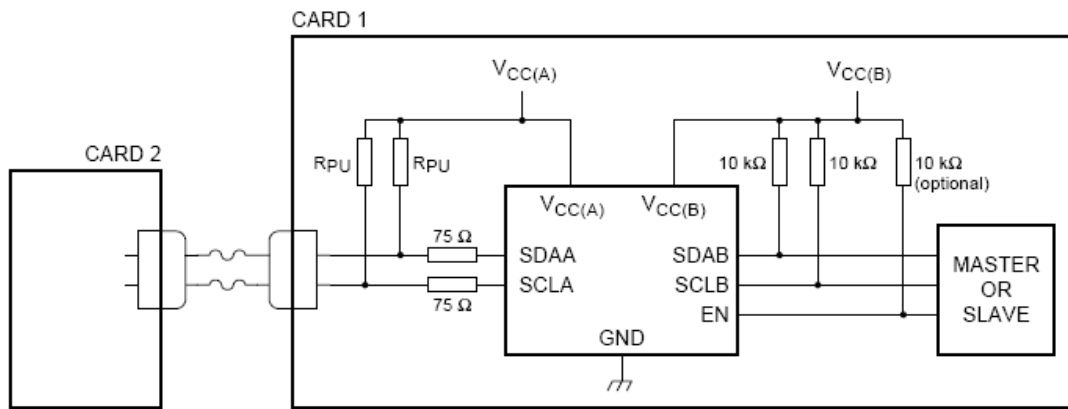


Figure 8. Typical Application of PCA9517A Driving a Short Cable

PCA9517A

MAXIMUM RATINGS

Symbol	Parameter	Value	Unit
V _{CC(B)}	Supply Voltage Port B	-0.5 to +7.0	V
V _{CC(A)}	Supply Voltage Port A	-0.5 to +7.0	V
V _{I/O}	Input/Output Pin Voltage SDAB, SCLB, EN	-0.5 to +7.0	V
I _{I/O}	Input/Output Current SDAA, SDAB, SCLA, SCLB	±50	mA
I _I	Input Current EN	±50	mA
I _{CC}	DC Supply Current	±100	mA
I _{GND}	DC Ground Current	±100	mA
T _{STG}	Storage Temperature Range	-65 to +150	°C
T _L	Lead Temperature, 1 mm from Case for 10 Seconds	260	°C
T _J	Junction Temperature Under Bias	150	°C
θ _{JA}	Thermal Resistance	SOIC8 (Note 1) Mmicro8 146 205	°C/W
P _D	Power Dissipation in Still Air at 85°C	SOIC8 Mmicro8 856 609	mW
MSL	Moisture Sensitivity	Level 1	
F _R	Flammability Rating Oxygen Index: 28 to 34	UL 94 V-0 @ 0.125 in	
V _{ESD}	ESD Withstand Voltage	Human Body Mode (Note 2) Machine Model (Note 3) Charged Device Model (Note 4) > 8000 > 700 >2000	V
I _{LATCHUP}	Latchup Performance Above V _{CC} and Below GND at 125°C (Note 5)	±100	mA

Stresses exceeding those listed in the Maximum Ratings table may damage the device. If any of these limits are exceeded, device functionality should not be assumed, damage may occur and reliability may be affected.

1. Measured with minimum pad spacing on an FR4 board, using 10 mm-by-1 inch, 2 ounce copper trace no air flow.
2. Tested to EIA / JESD22-A114-A.
3. Tested to EIA / JESD22-A115-A.
4. Tested to JESD22-C101-A.
5. Tested to EIA / JESD78.

RECOMMENDED OPERATING CONDITIONS

Symbol	Parameter	Min	Max	Unit
V _{CC(B)}	Supply Voltage Port B	2.7	5.5	V
V _{CC(A)} (Note 6)	Supply Voltage Port A	0.9	5.5	V
V _{I/O}	Input/Output Pin Voltage	0	5.5	V
T _A	Operating Free-Air Temperature	-40	+85	°C

6. Low Level Supply Voltage.

PCA9517A

DC CHARACTERISTICS $V_{CC(B)}$, $V_{CC(A)} = 2.7\text{ V to }5.5\text{ V}$, unless otherwise specified.

Symbol	Parameter	Conditions	$T_A = -40^\circ\text{C to }+85^\circ\text{C}$			Unit
			Min	Typ	Max	

SUPPLIES

$I_{CC(A)}$	Supply Current Port A	Pin $V_{CC(A)}$			1	mA
I_{CCH}	HIGH-Level Supply Current	Both Channels HIGH; $V_{CC} = 5.5\text{ V}$; $SDAn = SCLn = V_{CC}$		1.5	5	mA
I_{CCL}	LOW-Level Supply Current	Both Channels LOW; $V_{CC} = 5.5\text{ V}$; One SDA and SCL = GND; Other SDA and SCL Open		1.5	5	mA
$I_{CC(A)c}$	Contention Port A Supply Current	$V_{CC} = 5.5\text{ V}$; $SDAn = SCLn = V_{CC}$		1.5	5	mA

INPUT / OUTPUT SDAB, SCLB

V_{IH}	High-Level Input Voltage		$0.7 \times V_{CC(B)}$			V
V_{IL} (Note 7)	Low-Level Input Voltage				$0.3 \times V_{CC(B)}$	V
V_{ILc}	Contention Low-Level Input Voltage		-0.5	0.4		V
V_{IK}	Input Clamping Voltage	$I_I = -18\text{ mA}$			-1.2	V
V_{OL}	LOW-Level Output Voltage	$I_{OL} = 100\text{ }\mu\text{A or }6\text{ mA}$	0.43	0.52	0.6	V
$V_{OL} - V_{ILc}$ (Note 8)	Difference between LOW-Level Output Voltage and LOW-Level Input Voltage Contention			80		mV
I_{LI}	Input Leakage Current	$V_I = 3.6\text{ V}$			± 1	μA
I_{IL}	LOW-Level Input Current	SDA, SCL, $V_I = 0.2\text{ V}$			10	μA
I_{LOH}	HIGH-Level Output Leakage Current	$V_O = 3.6\text{ V}$			10	μA
$C_{I/O}$	Input/Output Capacitance	$V_I = 3\text{ V or }0\text{ V}; V_{CC} = 3.3\text{ V}$		5	7	μF
		$V_I = 3\text{ V or }0\text{ V}; V_{CC} = 0\text{ V}$		5	7	

INPUT / OUTPUT SDAA, SCLA

V_{IH}	High-Level Input Voltage		$0.7 \times V_{CC(A)}$			V
V_{IL} (Note 9)	Low-Level Input Voltage				$0.3 \times V_{CC(A)}$	V
V_{IK}	Input Clamping Voltage	$I_I = -18\text{ mA}$			-1.2	V
V_{OL}	LOW-Level Output Voltage	$I_{OL} = 6\text{ mA}$		0.1	0.2	V
I_{LI}	Input Leakage Current	$V_I = 3.6\text{ V}$			± 1	μA
I_{IL}	LOW-Level Input Current	SDA, SCL, $V_I = 0.2\text{ V}$			10	μA
I_{LOH}	HIGH-Level Output Leakage Current	$V_O = 3.6\text{ V}$			10	μA
$C_{I/O}$	Input/Output Capacitance	$V_I = 3\text{ V or }0\text{ V}; V_{CC} = 3.3\text{ V}$		5	7	μF
		$V_I = 3\text{ V or }0\text{ V}; V_{CC} = 0\text{ V}$		5	7	

INPUT EN

V_{IH}	High-Level Input Voltage		$0.7 \times V_{CC(B)}$			V
----------	--------------------------	--	------------------------	--	--	---

- V_{IL} specification is for the first LOW level seen by the SDAB/SCLB lines. V_{ILc} is for the second and subsequent LOW levels seen by the SDAB/SCLB lines.
- Guaranteed by design, not production tested.
- V_{IL} for port A with envelope noise must be below $0.3 V_{CC(A)}$ for stable performance.

PCA9517A

DC CHARACTERISTICS $V_{CC(B)}$, $V_{CC(A)} = 2.7\text{ V to }5.5\text{ V}$, unless otherwise specified.

Symbol	Parameter	Conditions	$T_A = -40^\circ\text{C to }+85^\circ\text{C}$			Unit
			Min	Typ	Max	
INPUT EN						
V_{IL}	Low-Level Input Voltage				$0.3 \times V_{CC(B)}$	V
I_{LI}	Input Leakage Current	$V_I = V_{CC}$			± 1	μA
I_{LL}	LOW-Level Input Current	$V_I = 0.2\text{ V, EN; }V_{CC} = 3.6\text{ V}$		-10	-35	μA
C_I	Input Capacitance	$V_I = 3\text{ V or }0\text{ V}$		6	7	pF

7. V_{IL} specification is for the first LOW level seen by the SDAB/SCLB lines. V_{ILC} is for the second and subsequent LOW levels seen by the SDAB/SCLB lines.
8. Guaranteed by design, not production tested.
9. V_{IL} for port A with envelope noise must be below $0.3 V_{CC(A)}$ for stable performance.

PCA9517A

AC CHARACTERISTICS $V_{CC} = 2.7\text{ V to }5.5\text{ V}$, unless otherwise specified. (Notes 10 and 11)

Symbol	Parameter	Conditions	$T_A = -40^\circ\text{C to }+85^\circ\text{C}$			Unit
			Min	Typ (Note 12)	Max	
t_{PLH} (Note 13)	LOW-to-HIGH Propagation Delay	B-Side to A-Side; Figure 11	100	170	250	ns
t_{PHL} (Note 14)	HIGH-to-LOW Propagation Delay	B-Side to A-Side; Figure 9				ns
		$V_{CC(A)} \leq 2.7\text{ V}$	10	80	110	
		$V_{CC(A)} \geq 3.0\text{ V}$	5	66	300	
t_{TLH} (Note 14)	LOW-to-HIGH Output Transition Time	A-Side; Figure 9	10	20	30	ns
		$V_{CC(A)} < 2.7\text{ V}$	5	20	30	
		$V_{CC(A)} > 3.0\text{ V}$	10	50	70	
t_{THL} (Note 14)	HIGH-to-LOW Output Transition Time	A-Side; Figure 9				ns
		$V_{CC(A)} \leq 2.7\text{ V}$		77	105	
		$V_{CC(A)} > 3.0\text{ V}$		70	105	
t_{PLH} (Note 15)	LOW-to-HIGH Propagation Delay	A-Side to B-Side; Figure 10	25	53	150	ns
t_{PHL} (Note 15)	HIGH-to-LOW Propagation Delay	A-Side to B-Side; Figure 10	60	79	230	ns
t_{TLH}	LOW-to-HIGH Output Transition Time	B-Side; Figure 10	120	140	170	ns
t_{THL}	HIGH-to-LOW Output Transition Time	B-Side; Figure 10	1	48	90	ns
t_{su} (Note 16)	Setup Time	EN HIGH Before START Condition	100			ns
t_h (Note 16)	Hold Time	EN HIGH After STOP Condition	160			ns

10. Times are specified with loads indicated in Figure 12. Different load resistance and capacitance will alter the RC time constant, thereby changing the propagation delay and transition times.

11. Pull-up voltages are $V_{CC(A)}$ on the A side and $V_{CC(B)}$ on the B side.

12. Typical values were measured with $V_{CC(A)} = 3.3\text{ V}$ at $T_{amb} = 25^\circ\text{C}$, unless otherwise noted.

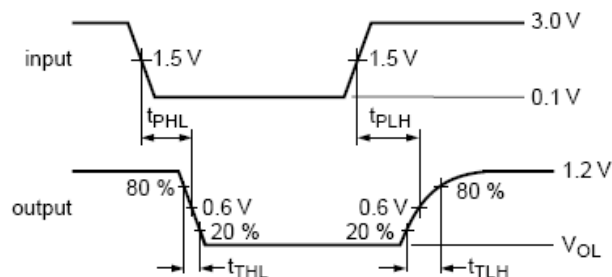
13. The t_{PLH} delay data from B side to A side is measured at 0.5 V on the B side to 0.5 $V_{CC(A)}$ on the A side when $V_{CC(A)}$ is less than 2 V, and 1.5 V on the A side if $V_{CC(A)}$ is greater than 2 V.

14. Typical value measured with $V_{CC(A)} = 2.7\text{ V}$ at $T_{amb} = 25^\circ\text{C}$.

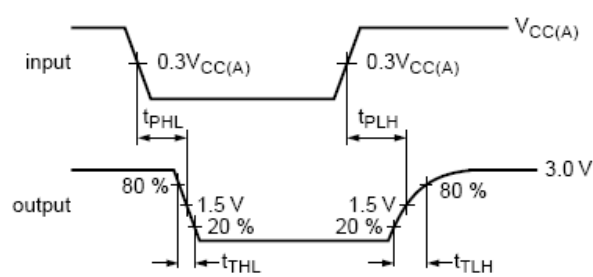
15. The propagation delay data from A side to B side is measured at 0.3 $V_{CC(A)}$ on the A side to 1.5 V on the B side.

16. The enable pin, EN, should only change state when the global bus and the repeater port are in an idle state.

AC WAVEFORMS



**Figure 9. Propagation Delay and Transition Times;
B-Side to A-Side**



**Figure 10. Propagation Delay and Transition Times;
A-Side to B-Side**

PCA9517A

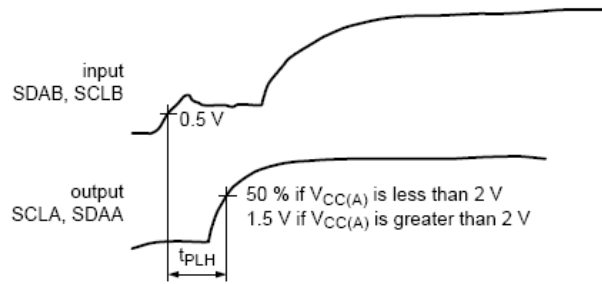
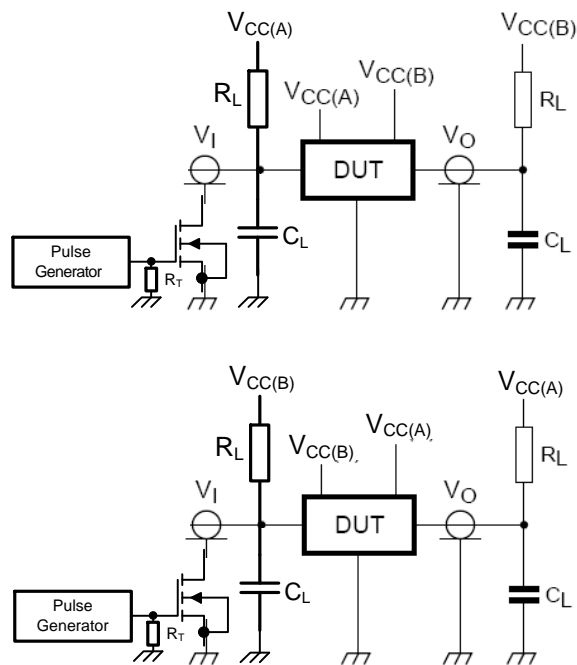


Figure 11. Propagation Delay; B-Side to A-Side

TEST SETUP



R_L = load resistor; 1.35 k Ω on port B; 167 Ω on port A (0.9 V to 2.7 V) and 450 Ω on port A (3.0 V to 5.5 V).

C_L = load capacitance includes jig and probe capacitance; 57 pF

R_T = termination resistance should be equal to Z_o of pulse generators

Figure 12. Test Circuit for Open-Drain Outputs

PCA9517A

ORDERING INFORMATION

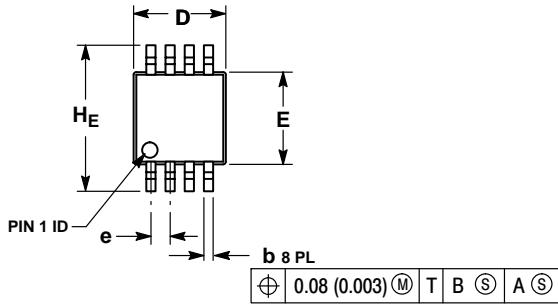
Device	Package	Shipping
PCA9517ADR2G	SOIC8 (Pb-Free)	3000 / Tape & Reel
PCA9517ADMR2G	Micro-8 (Pb-Free)	4000 / Tape & Reel

†For information on tape and reel specifications, including part orientation and tape sizes, please refer to our Tape and Reel Packaging Specifications Brochure, BRD8011/D.

PCA9517A

PACKAGE DIMENSIONS

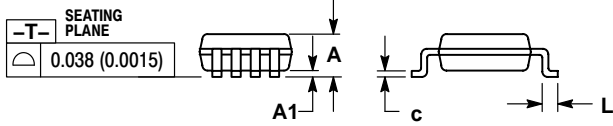
Micro8™
CASE 846A-02
ISSUE J



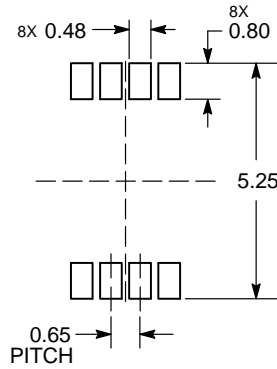
NOTES:

1. DIMENSIONING AND TOLERANCING PER ANSI Y14.5M, 1982.
2. CONTROLLING DIMENSION: MILLIMETER.
3. DIMENSION A DOES NOT INCLUDE MOLD FLASH, PROTRUSIONS OR GATE BURRS. MOLD FLASH, PROTRUSIONS OR GATE BURRS SHALL NOT EXCEED 0.15 (0.006) PER SIDE.
4. DIMENSION B DOES NOT INCLUDE INTERLEAD FLASH OR PROTRUSION. INTERLEAD FLASH OR PROTRUSION SHALL NOT EXCEED 0.25 (0.010) PER SIDE.
5. 846A-01 OBSOLETE, NEW STANDARD 846A-02.

DIM	MILLIMETERS			INCHES		
	MIN	NOM	MAX	MIN	NOM	MAX
A	—	—	1.10	—	—	0.043
A1	0.05	0.08	0.15	0.002	0.003	0.006
b	0.25	0.33	0.40	0.010	0.013	0.016
c	0.13	0.18	0.23	0.005	0.007	0.009
D	2.90	3.00	3.10	0.114	0.118	0.122
E	2.90	3.00	3.10	0.114	0.118	0.122
e	0.65 BSC			0.026 BSC		
L	0.40	0.55	0.70	0.016	0.021	0.028
HE	4.75	4.90	5.05	0.187	0.193	0.199



RECOMMENDED SOLDERING FOOTPRINT*



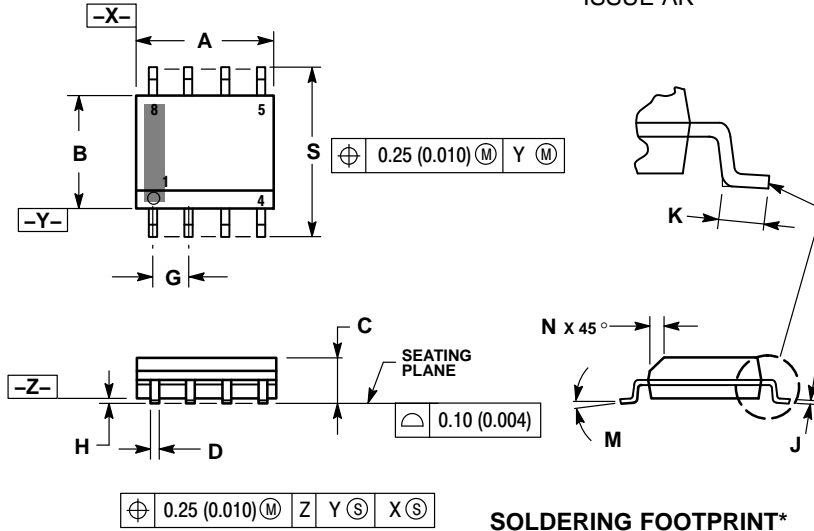
DIMENSION: MILLIMETERS

*For additional information on our Pb-Free strategy and soldering details, please download the ON Semiconductor Soldering and Mounting Techniques Reference Manual, SOLDERRM/D.

PCA9517A

PACKAGE DIMENSIONS

SOIC-8 NB CASE 751-07 ISSUE AK

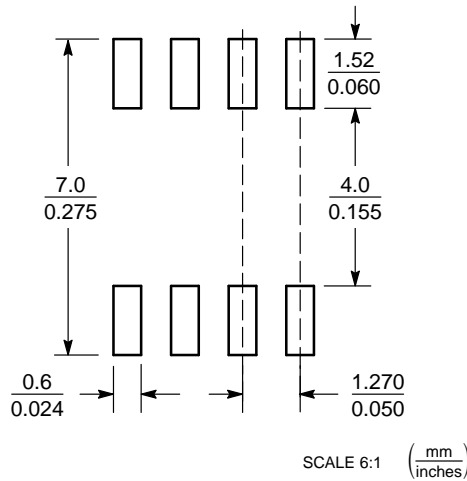


NOTES:

1. DIMENSIONING AND TOLERANCING PER ANSI Y14.5M, 1982.
2. CONTROLLING DIMENSION: MILLIMETER.
3. DIMENSION A AND B DO NOT INCLUDE MOLD PROTRUSION.
4. MAXIMUM MOLD PROTRUSION 0.15 (0.006) PER SIDE.
5. DIMENSION D DOES NOT INCLUDE DAMBAR PROTRUSION. ALLOWABLE DAMBAR PROTRUSION SHALL BE 0.127 (0.005) TOTAL IN EXCESS OF THE D DIMENSION AT MAXIMUM MATERIAL CONDITION.
6. 751-01 THRU 751-06 ARE OBSOLETE. NEW STANDARD IS 751-07.

DIM	MILLIMETERS		INCHES	
	MIN	MAX	MIN	MAX
A	4.80	5.00	0.189	0.197
B	3.80	4.00	0.150	0.157
C	1.35	1.75	0.053	0.069
D	0.33	0.51	0.013	0.020
G	1.27 BSC		0.050 BSC	
H	0.10	0.25	0.004	0.010
J	0.19	0.25	0.007	0.010
K	0.40	1.27	0.016	0.050
M	0°	8°	0°	8°
N	0.25	0.50	0.010	0.020
S	5.80	6.20	0.228	0.244

SOLDERING FOOTPRINT*



*For additional information on our Pb-Free strategy and soldering details, please download the ON Semiconductor Soldering and Mounting Techniques Reference Manual, SOLDERRM/D.

Micro8 is a trademark of International Rectifier.

ON Semiconductor and are trademarks of Semiconductor Components Industries, LLC dba ON Semiconductor or its subsidiaries in the United States and/or other countries. ON Semiconductor owns the rights to a number of patents, trademarks, copyrights, trade secrets, and other intellectual property. A listing of ON Semiconductor's product/patent coverage may be accessed at www.onsemi.com/site/pdf/Patent-Marketing.pdf. ON Semiconductor reserves the right to make changes without further notice to its products herein. ON Semiconductor makes no warranty, representation or guarantee regarding the suitability of its products for any particular purpose, nor does ON Semiconductor assume any liability arising out of the application or use of any product or circuit, and specifically disclaims any and all liability, including without limitation special, consequential or incidental damages. Buyer is responsible for its products and applications using ON Semiconductor products, including compliance with all laws, regulations and safety requirements or standards, regardless of any support or applications information provided by ON Semiconductor. "Typical" parameters which may be provided in ON Semiconductor data sheets and/or specifications can and do vary in different applications and actual performance may vary over time. All operating parameters, including "Typicals" must be validated for each customer application by customer's technical experts. ON Semiconductor does not convey any license under its patent rights nor the rights of others. ON Semiconductor products are not designed, intended, or authorized for use as a critical component in life support systems or any FDA Class 3 medical devices or medical devices with a same or similar classification in a foreign jurisdiction or any devices intended for implantation in the human body. Should Buyer purchase or use ON Semiconductor products for any such unintended or unauthorized application, Buyer shall indemnify and hold ON Semiconductor and its officers, employees, subsidiaries, affiliates, and distributors harmless against all claims, costs, damages, and expenses, and reasonable attorney fees arising out of, directly or indirectly, any claim of personal injury or death associated with such unintended or unauthorized use, even if such claim alleges that ON Semiconductor was negligent regarding the design or manufacture of the part. ON Semiconductor is an Equal Opportunity/Affirmative Action Employer. This literature is subject to all applicable copyright laws and is not for resale in any manner.

PUBLICATION ORDERING INFORMATION

LITERATURE FULFILLMENT:
 Literature Distribution Center for ON Semiconductor
 19521 E. 32nd Pkwy, Aurora, Colorado 80011 USA
Phone: 303-675-2175 or 800-344-3860 Toll Free USA/Canada
Fax: 303-675-2176 or 800-344-3867 Toll Free USA/Canada
Email: orderlit@onsemi.com

N. American Technical Support: 800-282-9855 Toll Free
 USA/Canada
Europe, Middle East and Africa Technical Support:
 Phone: 421 33 790 2910

ON Semiconductor Website: www.onsemi.com
Order Literature: <http://www.onsemi.com/orderlit>

For additional information, please contact your local Sales Representative