

MOCD207M, MOCD208M, MOCD211M, MOCD213M, MOCD217M

8-pin SOIC Dual-Channel Phototransistor Output Optocoupler

These devices consist of two gallium arsenide infrared emitting diodes optically coupled to two monolithic silicon phototransistor detectors, in a surface mountable, small outline, plastic package. They are ideally suited for high-density applications, and eliminate the need for through-the-board mounting.

Features

- Closely Matched Current Transfer Ratios
- Minimum BV_{CEO} of 70 V Guaranteed
– MOCD207M, MOCD208M, MOCD213M
- Minimum BV_{CEO} of 30 V Guaranteed
– MOCD211M, MOCD217M
- Low LED Input Current Required for Easier Logic Interfacing
– MOCD217M
- Convenient Plastic SOIC–8 Surface Mountable Package Style, with 0.050" Lead Spacing
- Safety and Regulatory Approvals:
– UL1577, 2,500 VAC_{RMS} for 1 Minute
– DIN-EN/IEC60747-5-5, 565 V Peak Working Insulation Voltage
- These are Pb-Free Devices

Applications

- Feedback Control Circuits
- Interfacing and Coupling Systems of Different Potentials and Impedances
- General Purpose Switching Circuits
- Monitor and Detection Circuits

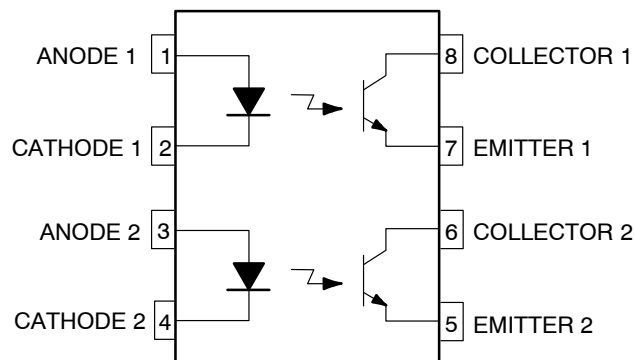
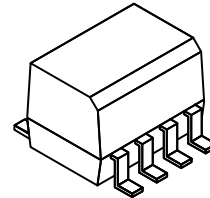


Figure 1. Schematic



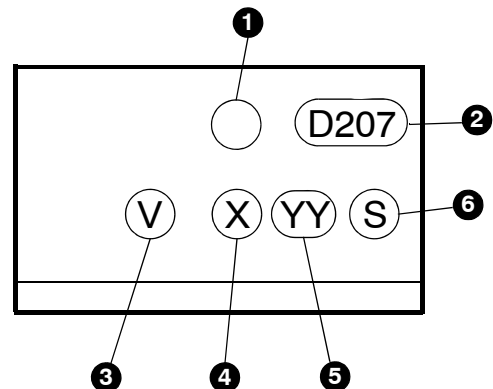
ON Semiconductor®

www.onsemi.com



SOIC8
M SUFFIX
CASE 751DZ

MARKING DIAGRAM



- 1 – Logo
- 2 – Device Number
- 3 – DIN EN/IEC60747-5-5 Option (only appears on component ordered with this option)
- 4 – One-Digit Year Code, e.g., "4"
- 5 – Digit Work Week, Ranging from "01" to "53"
- 6 – Assembly Package Code

ORDERING INFORMATION

See detailed ordering and shipping information in the package dimensions section on page 7 of this data sheet.

MOCD207M, MOCD208M, MOCD211M, MOCD213M, MOCD217M

Safety and Insulation Ratings

As per DIN EN/IEC 60747-5-5, this optocoupler is suitable for “safe electrical insulation” only within the safety limit data. Compliance with the safety ratings shall be ensured by means of protective circuits.

Parameter		Characteristics
Installation Classifications per DIN VDE 0110/1.89 Table 1, For Rated Mains Voltage	< 150 V _{RMS}	I-IV
	< 300 V _{RMS}	I-III
Climatic Classification		55/100/21
Pollution Degree (DIN VDE 0110/1.89)		2
Comparative Tracking Index		175

Symbol	Parameter	Value	Unit
V _{PR}	Input-to-Output Test Voltage, Method A, V _{IORM} × 1.6 = V _{PR} , Type and Sample Test with t _m = 10 s, Partial Discharge < 5 pC	904	V _{peak}
	Input-to-Output Test Voltage, Method B, V _{IORM} × 1.875 = V _{PR} , 100% Production Test with t _m = 1 s, Partial Discharge < 5 pC	1060	V _{peak}
V _{IORM}	Maximum Working Insulation Voltage	565	V _{peak}
V _{IOTM}	Highest Allowable Over-Voltage	4000	V _{peak}
	External Creepage	≥4	mm
	External Clearance	≥4	mm
DTI	Distance Through Insulation (Insulation Thickness)	≥0.4	mm
T _S	Case Temperature (Note 1)	150	°C
I _{S,INPUT}	Input Current (Note 1)	200	mA
P _{S,OUTPUT}	Output Current (Note 1)	300	mW
R _{IO}	Insulation Resistance at T _S , V _{IO} = 500 V (Note 1)	>10 ⁹	Ω

1. Safety limit values – maximum values allowed in the event of a failure.

MOCD207M, MOCD208M, MOCD211M, MOCD213M, MOCD217M

ABSOLUTE MAXIMUM RATINGS ($T_A = 25^\circ\text{C}$ unless otherwise noted)

Symbol	Rating	Value	Unit
TOTAL DEVICE			
T_{STG}	Storage Temperature	-40 to +125	$^\circ\text{C}$
T_A	Ambient Operating Temperature	-40 to +100	$^\circ\text{C}$
T_J	Junction Temperature	-40 to +125	$^\circ\text{C}$
T_{SOL}	Lead Solder Temperature	260 for 10 seconds	$^\circ\text{C}$
P_D	Total Device Power Dissipation @ $T_A = 25^\circ\text{C}$	240	mW
	Derate Above 25°C	2.94	$\text{mW}/^\circ\text{C}$
EMITTER			
I_F	Continuous Forward Current	60	mA
I_F (pk)	Forward Current – Peak (PW = 100 μs , 120 pps)	1.0	A
V_R	Reverse Voltage	6.0	V
P_D	LED Power Dissipation @ $T_A = 25^\circ\text{C}$	90	mW
	Derate Above 25°C	0.8	$\text{mW}/^\circ\text{C}$
DETECTOR			
I_C	Continuous Collector Current	150	mA
V_{CEO}	Collector–Emitter Voltage – MOCD207M, MOCD208M, MOCD213M	70	V
	– MOCD211M, MOCD217M	30	V
V_{ECO}	Emitter–Collector Voltage	7	V
P_D	Detector Power Dissipation @ $T_A = 25^\circ\text{C}$	150	mW
	Derate Above 25°C	1.76	$\text{mW}/^\circ\text{C}$

Stresses exceeding those listed in the Maximum Ratings table may damage the device. If any of these limits are exceeded, device functionality should not be assumed, damage may occur and reliability may be affected.

MOCD207M, MOCD208M, MOCD211M, MOCD213M, MOCD217M

ELECTRICAL CHARACTERISTICS ($T_A = 25^\circ\text{C}$ unless otherwise noted)

Symbol	Parameter	Device	Test Conditions	Min	Typ	Max	Unit
EMITTER							
V_F	Input Forward Voltage	MOCD217M	$I_F = 1 \text{ mA}$	–	1.05	1.3	V
		MOCD213M	$I_F = 10 \text{ mA}$	–	1.15	1.5	V
		MOCD207M, MOCD208M, MOCD211M	$I_F = 30 \text{ mA}$	–	1.25	1.5	V
I_R	Reverse Leakage Current	All	$V_R = 6 \text{ V}$	–	0.001	100	μA
C_{IN}	Input Capacitance	All		–	18	–	pF

DETECTOR

I_{CEO}	Collector–Emitter Dark Current	All	$V_{CE} = 10 \text{ V}, T_A = 25^\circ\text{C}$	–	1.0	50	nA
			$V_{CE} = 10 \text{ V}, T_A = 100^\circ\text{C}$	–	1.0	–	μA
BV_{CEO}	Collector–Emitter Breakdown Voltage	MOCD211M, MOCD217M	$I_C = 100 \mu\text{A}$	30	100	–	V
		MOCD207M, MOCD208M, MOCD213M	$I_C = 100 \mu\text{A}$	70	100	–	V
BV_{ECO}	Emitter–Collector Breakdown Voltage	All	$I_E = 100 \mu\text{A}$	7	10	–	V
C_{CE}	Collector–Emitter Capacitance	All	$f = 1.0 \text{ MHz}, V_{CE} = 0$	–	7	–	pF

COUPLED

CTR	Collector–Output Current	MOCD207M	$I_F = 10 \text{ mA}, V_{CE} = 5 \text{ V}$	100	–	200	%
		MOCD208M	$I_F = 10 \text{ mA}, V_{CE} = 5 \text{ V}$	40	–	125	%
		MOCD211M	$I_F = 10 \text{ mA}, V_{CE} = 5 \text{ V}$	20	–	–	%
		MOCD213M	$I_F = 10 \text{ mA}, V_{CE} = 5 \text{ V}$	100	–	–	%
		MOCD217M	$I_F = 1 \text{ mA}, V_{CE} = 5 \text{ V}$	100	–	–	%
$V_{CE(SAT)}$	Collector–Emitter Saturation Voltage	MOCD207M, MOCD208M, MOCD211M, MOCD213M	$I_C = 2 \text{ mA}, I_F = 10 \text{ mA}$	–	–	0.4	V
		MOCD217M	$I_C = 100 \mu\text{A}, I_F = 1 \text{ mA}$	–	–	0.4	V
t_{on}	Turn–On Time	All	$I_C = 2 \text{ mA}, V_{CC} = 10 \text{ V}, R_L = 100 \Omega$ (Figure 7)	–	7.5	–	μs
t_{off}	Turn–Off Time	All	$I_C = 2 \text{ mA}, V_{CC} = 10 \text{ V}, R_L = 100 \Omega$ (Figure 7)	–	5.7	–	μs
t_r	Rise Time	All	$I_C = 2 \text{ mA}, V_{CC} = 10 \text{ V}, R_L = 100 \Omega$ (Figure 7)	–	3.2	–	μs
t_f	Fall Time	All	$I_C = 2 \text{ mA}, V_{CC} = 10 \text{ V}, R_L = 100 \Omega$ (Figure 7)	–	4.7	–	μs

ISOLATION

V_{ISO}	Input–Output Isolation Voltage	All	$t = 1 \text{ Minute}$	2500	–	–	$V_{AC_{RMS}}$
C_{ISO}	Isolation Capacitance	All	$V_{I-O} = 0 \text{ V}, f = 1 \text{ MHz}$	–	0.2	–	pF
R_{ISO}	Isolation Resistance	All	$V_{I-O} = \pm 500 \text{ VDC}, T_A = 25^\circ\text{C}$	10^{11}	–	–	Ω

Product parametric performance is indicated in the Electrical Characteristics for the listed test conditions, unless otherwise noted. Product performance may not be indicated by the Electrical Characteristics if operated under different conditions.

TYPICAL CHARACTERISTICS

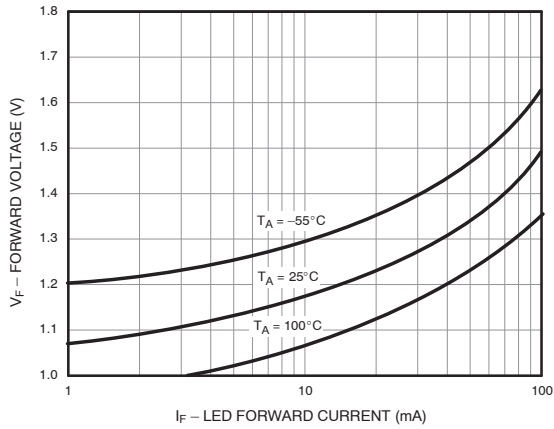


Figure 2. LED Forward Voltage vs. Forward Current

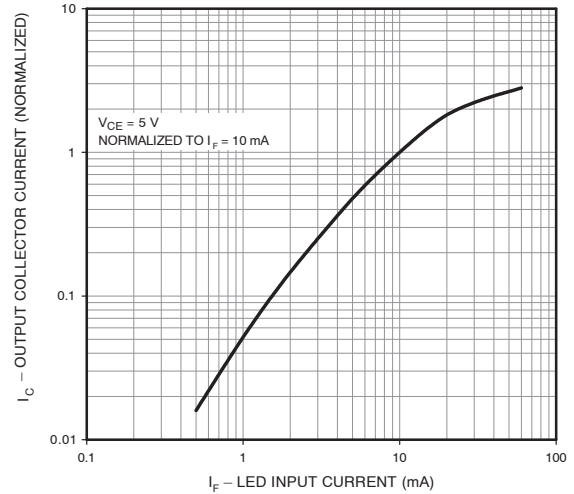


Figure 3. Output Current vs. Input Current

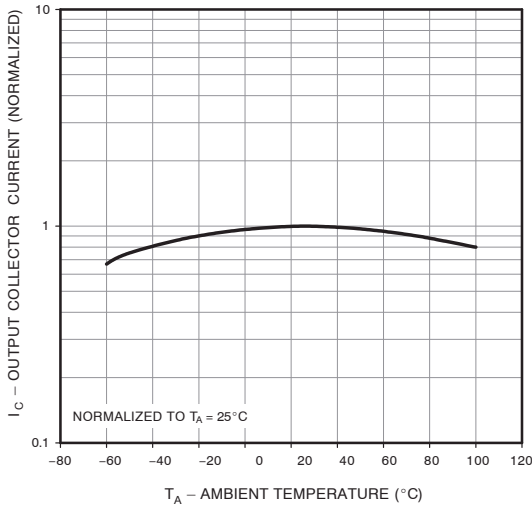


Figure 4. Output Current vs. Ambient Temperature

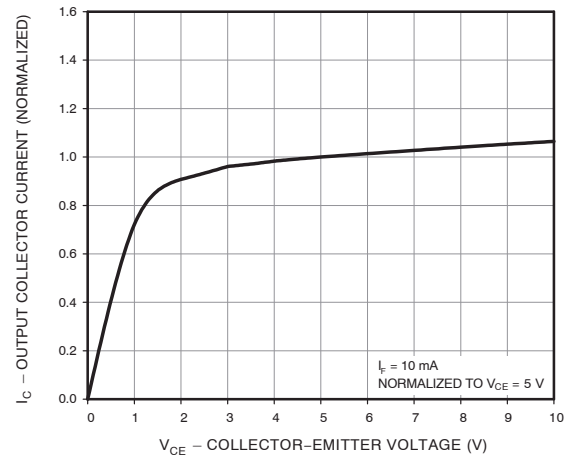


Figure 5. Output Current vs. Collector-Emitter Voltage



Figure 6. Dark Current vs. Ambient Temperature

SWITCHING TIME TEST CIRCUIT AND WAVEFORMS

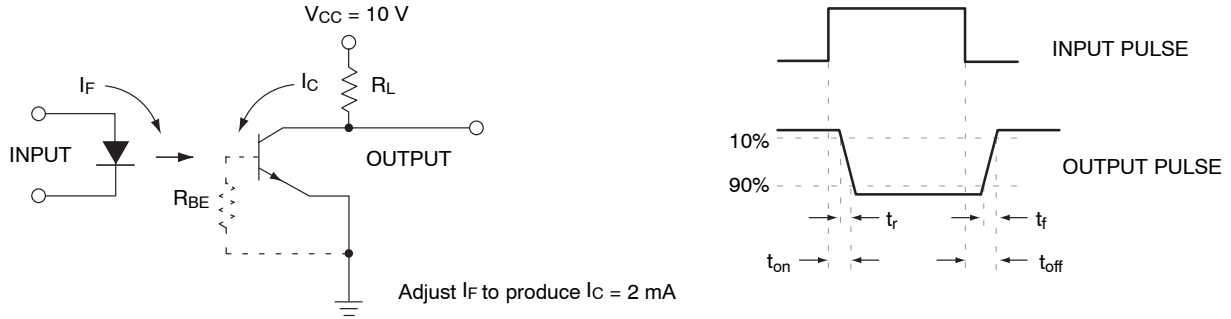


Figure 7. Switching Time Test Circuit and Waveforms

REFLOW PROFILE



Figure 8. Reflow Profile

Profile Feature	Pb-Free Assembly Profile
Temperature Minimum (Tsmin)	150°C
Temperature Maximum (Tsmax)	200°C
Time (ts) from (Tsmin to Tsmax)	60 – 120 seconds
Ramp-up Rate (tL to tp)	3°C/second maximum
Liquidous Temperature (TL)	217°C
Time (tL) Maintained Above (TL)	60 – 150 seconds
Peak Body Package Temperature	260°C +0°C / -5°C
Time (tp) within 5°C of 260°C	30 seconds
Ramp-down Rate (TP to TL)	6°C/second maximum
Time 25°C to Peak Temperature	8 minutes maximum

MOCD207M, MOCD208M, MOCD211M, MOCD213M, MOCD217M

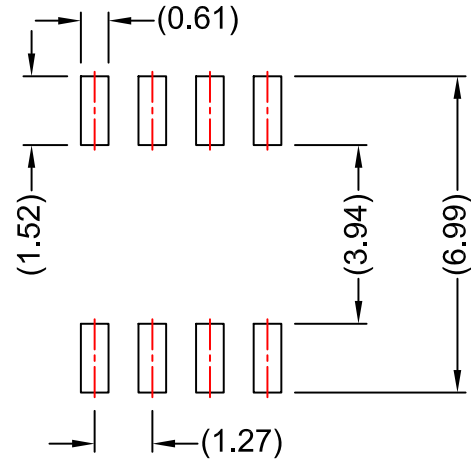
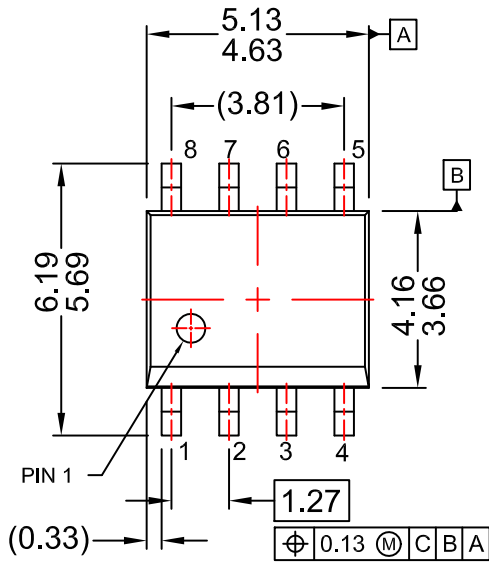
ORDERING INFORMATION

Part Number	Package	Shipping
MOCD207M	Small Outline 8-Pin	100 Units / Tube
MOCD207R2M	Small Outline 8-Pin	2500 Units / Tape & Reel
MOCD207VM	Small Outline 8-Pin, DIN EN/IEC60747-5-5 Option	100 Units / Tube
MOCD207R2VM	Small Outline 8-Pin, DIN EN/IEC60747-5-5 Option	2500 Units / Tape & Reel
MOCD208M	Small Outline 8-Pin	100 Units / Tube
MOCD208R2M	Small Outline 8-Pin	2500 Units / Tape & Reel
MOCD208VM	Small Outline 8-Pin, DIN EN/IEC60747-5-5 Option	100 Units / Tube
MOCD208R2VM	Small Outline 8-Pin, DIN EN/IEC60747-5-5 Option	2500 Units / Tape & Reel
MOCD211M	Small Outline 8-Pin	100 Units / Tube
MOCD211R2M	Small Outline 8-Pin	2500 Units / Tape & Reel
MOCD211VM	Small Outline 8-Pin, DIN EN/IEC60747-5-5 Option	100 Units / Tube
MOCD211R2VM	Small Outline 8-Pin, DIN EN/IEC60747-5-5 Option	2500 Units / Tape & Reel
MOCD213M	Small Outline 8-Pin	100 Units / Tube
MOCD213R2M	Small Outline 8-Pin	2500 Units / Tape & Reel
MOCD213VM	Small Outline 8-Pin, DIN EN/IEC60747-5-5 Option	100 Units / Tube
MOCD213R2VM	Small Outline 8-Pin, DIN EN/IEC60747-5-5 Option	2500 Units / Tape & Reel
MOCD217M	Small Outline 8-Pin	100 Units / Tube
MOCD217R2M	Small Outline 8-Pin	2500 Units / Tape & Reel
MOCD217VM	Small Outline 8-Pin, DIN EN/IEC60747-5-5 Option	100 Units / Tube
MOCD217R2VM	Small Outline 8-Pin, DIN EN/IEC60747-5-5 Option	2500 Units / Tape & Reel

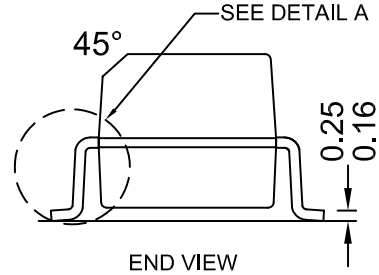
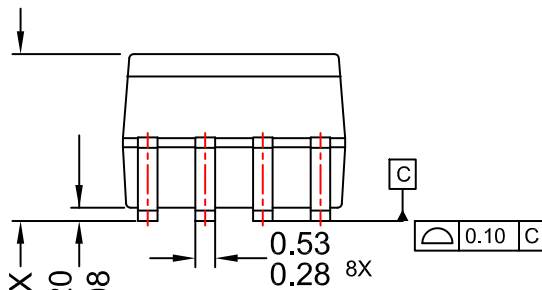
MOCD207M, MOCD208M, MOCD211M, MOCD213M, MOCD217M

PACKAGE DIMENSIONS

SOIC8
CASE 751DZ
ISSUE O



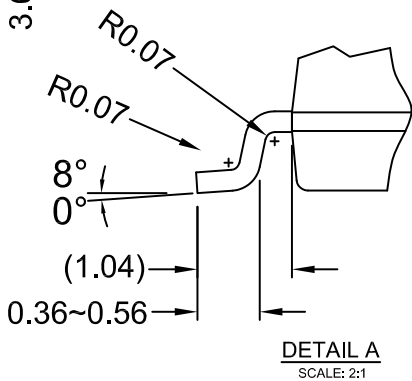
LAND PATTERN RECOMMENDATION



END VIEW

NOTES:

- A) NO STANDARD APPLIES TO THIS PACKAGE
- B) ALL DIMENSIONS ARE IN MILLIMETERS.
- C) DIMENSIONS DO NOT INCLUDE MOLD FLASH OR BURRS.
- D) LANDPATTERN STANDARD: SOIC127P600X175-8M.



ON Semiconductor and  are trademarks of Semiconductor Components Industries, LLC dba ON Semiconductor or its subsidiaries in the United States and/or other countries. ON Semiconductor owns the rights to a number of patents, trademarks, copyrights, trade secrets, and other intellectual property. A listing of ON Semiconductor's product/patent coverage may be accessed at www.onsemi.com/site/pdf/Patent-Marking.pdf. ON Semiconductor reserves the right to make changes without further notice to any products herein. ON Semiconductor makes no warranty, representation or guarantee regarding the suitability of its products for any particular purpose, nor does ON Semiconductor assume any liability arising out of the application or use of any product or circuit, and specifically disclaims any and all liability, including without limitation special, consequential or incidental damages. Buyer is responsible for its products and applications using ON Semiconductor products, including compliance with all laws, regulations and safety requirements or standards, regardless of any support or applications information provided by ON Semiconductor. "Typical" parameters which may be provided in ON Semiconductor data sheets and/or specifications can and do vary in different applications and actual performance may vary over time. All operating parameters, including "Typicals" must be validated for each customer application by customer's technical experts. ON Semiconductor does not convey any license under its patent rights nor the rights of others. ON Semiconductor products are not designed, intended, or authorized for use as a critical component in life support systems or any FDA Class 3 medical devices or medical devices with a same or similar classification in a foreign jurisdiction or any devices intended for implantation in the human body. Should Buyer purchase or use ON Semiconductor products for any such unintended or unauthorized application, Buyer shall indemnify and hold ON Semiconductor and its officers, employees, subsidiaries, affiliates, and distributors harmless against all claims, costs, damages, and expenses, and reasonable attorney fees arising out of, directly or indirectly, any claim of personal injury or death associated with such unintended or unauthorized use, even if such claim alleges that ON Semiconductor was negligent regarding the design or manufacture of the part. ON Semiconductor is an Equal Opportunity/Affirmative Action Employer. This literature is subject to all applicable copyright laws and is not for resale in any manner.

PUBLICATION ORDERING INFORMATION

LITERATURE FULFILLMENT:

Literature Distribution Center for ON Semiconductor
19521 E. 32nd Pkwy, Aurora, Colorado 80011 USA
Phone: 303-675-2175 or 800-344-3860 Toll Free USA/Canada
Fax: 303-675-2176 or 800-344-3867 Toll Free USA/Canada
Email: orderlit@onsemi.com

N. American Technical Support: 800-282-9855 Toll Free
USA/Canada
Europe, Middle East and Africa Technical Support:
Phone: 421 33 790 2910

ON Semiconductor Website: www.onsemi.com

Order Literature: <http://www.onsemi.com/orderlit>

For additional information, please contact your local
Sales Representative