



Conforms to EN1088, EN292, EN60947-5-1, EN60204-1
UL and C-UL listed, BG approved



G

safety interlock switches

T4016

Heavy-Duty Metal-Body Safety Interlock Switch

- Rugged enclosure—The all metal housing and stainless steel actuator of the T4016 makes it suitable for harsh environments.
- NEMA 6/IP67 enclosure enables these switches to withstand water washdown cleaning.
- Rotatable head gives eight possible actuator entry points for versatile installation. A blanking plug is supplied for the unused entry.
- Long life—These switches, with their stainless steel actuators, are designed for a minimum of two million actuations.
- A variety of 4 contact pole versions provides 2 poles for dual channel safety monitoring and 2 additional poles for status monitoring.

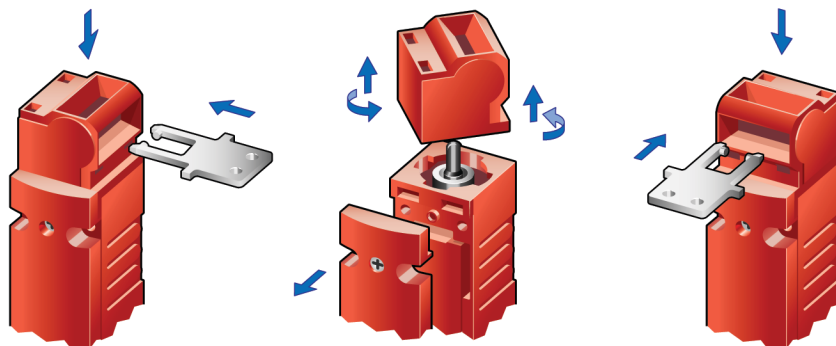
A

Go to the Engineering Guide
For in-depth information on safety standards and use.

N

For More Guarding Products
See Section N for safeguarding cutting and turning machines

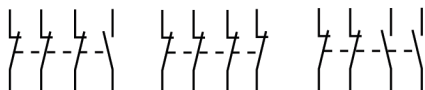
■ **Operation**



Optional Slide Bolt

- Allows easy installation of switch on machine guards
- Actuator included (order switch separately)
- Integral handle included
- Robust for use with heavy doors
- Slotted hole in bolt permits attaching multiple padlocks
- Yellow color for easy recognition

Contact Arrangements



Flat Actuator

Flexible rubber mounting bushings allow for some actuator flexibility.



90-Degree Actuator

Flexible rubber mounting bushings allow for some actuator flexibility.



Flexible 1 Actuator

15 degree flexibility may be adjusted with the set screw.



Flexible 2 Actuator

15 degree flexibility may be adjusted with the set screw.



Optional SLD Series



Optional switch locking devices are available. See accessories section for details.

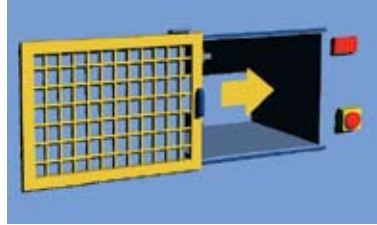


G

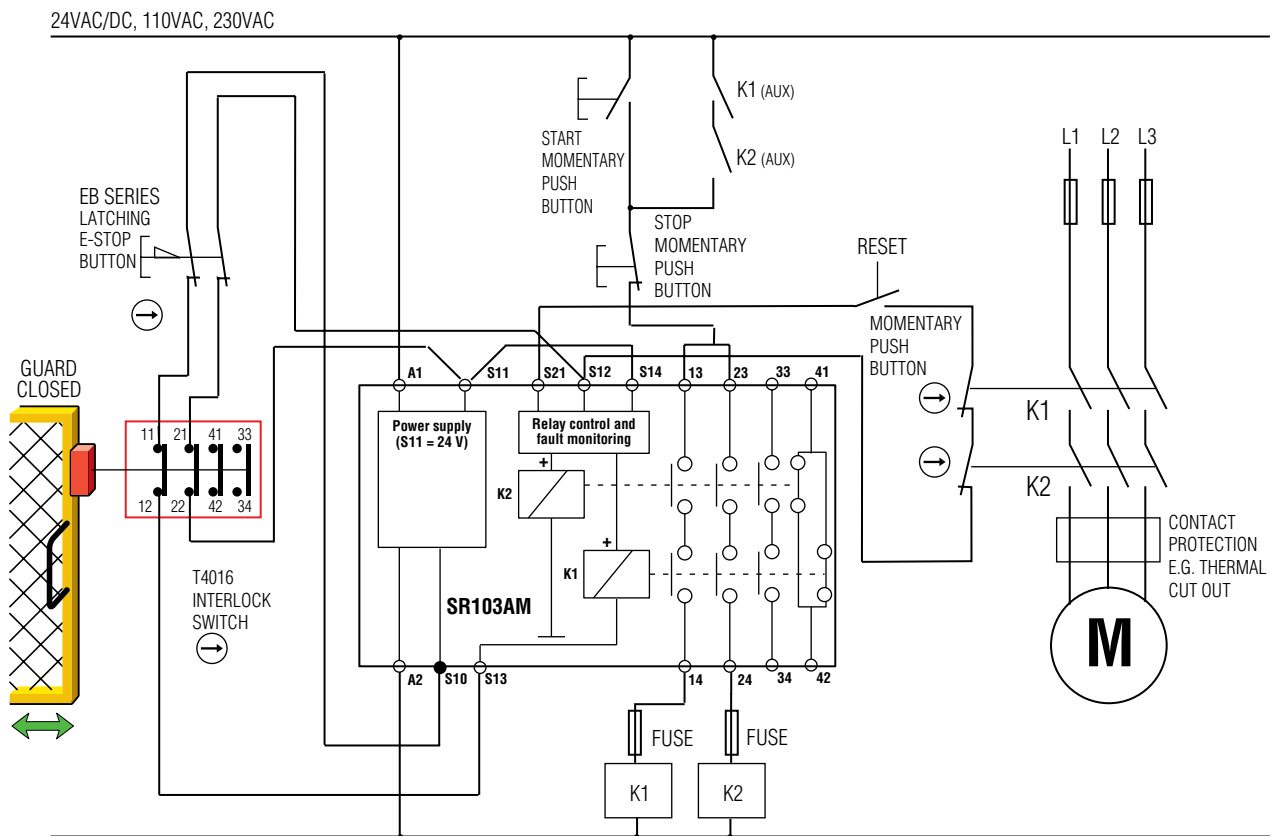
safety interlock switches

■ Applications

Typical applications are on sliding guard doors or swinging guard doors.



G safety interlock switches



A **Go to the Engineering Guide**
For in-depth information on safety standards and use.

N **For More Guarding Products**
See Section N for safeguarding cutting and turning machines

■ Specifications

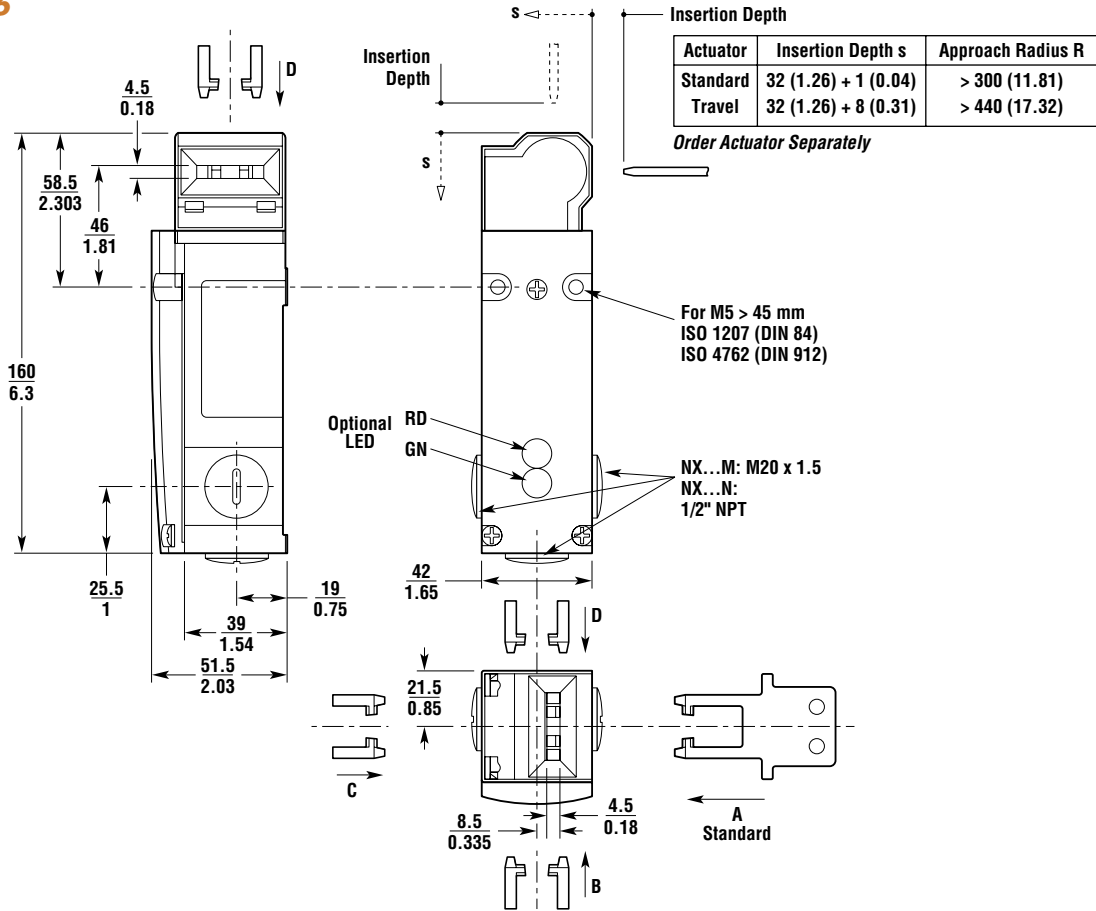
Electrical	All Models
Contact Configurations:	2 N/C + 2 N/O, 3 N/C + 1 N/O, 4 N/C
Safety Contacts:	2 N/C, 3 N/C or 4 N/C positive break
Switching Ability	
AC:	230 V, 4 A
DC:	24 V, 4 A
Contact Material:	Silver alloy, gold flashed
Auxiliary Contacts:	1 N/O, 2 N/O
Minimum Switching Voltage:	12 V at 10 mA
Minimum Switching Current:	1 mA at 24 V
Mechanical	
Mounting:	Any position
Mounting Hardware:	2 x M5 screws (not supplied)
Min Operating Radius:	Approximately 300 mm (12 in.) with 90-degree actuator
Break Contact Min Force:	50 N (11.2 lb.)
Max Actuation Speed:	20 m/min.
Max Actuation Frequency:	112 cycles/min.
Case Material:	Die-cast alloy, cathodically dipped
Actuator Material:	Stainless steel
Wiring Entry:	3 x 0.5 in. NPT
Weight:	400 g (14 oz.)
Color:	Black with red lid
Mechanical Life:	2 x 10 ⁶ operations
Environmental	
Protection:	IP67 (NEMA 6)
Operating Temperature:	-20 to 80°C (-4 to 176°F)
Cleaning:	Water washdown
Compliance	
Standards:	EN1088, EN292, EN60947-5-1, EN60204-1
Approvals/Listings:	CE marked for all applicable directives, UL and C-UL, BG

Specifications are subject to change without notice.

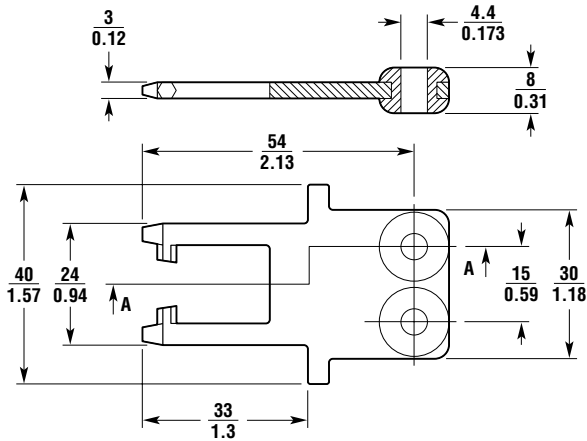
Note: The safety contacts of the Omron STI switches are described as normally closed (N/C)—i.e., with the guard closed, actuator in place, and the machine able to be started.

■ Dimensions — mm/in.

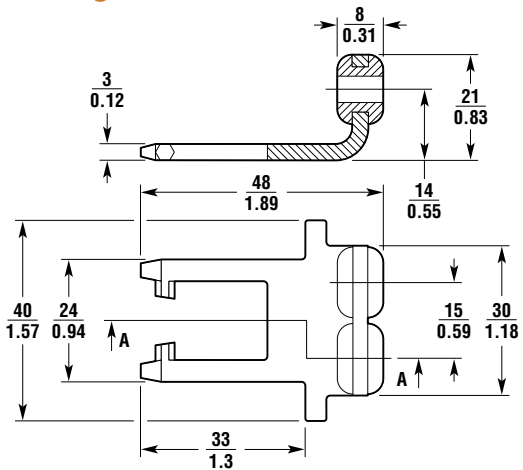
T4016



Flat Actuator



90-degree Actuator



N For More Guarding Products
See Section N for safeguarding cutting and turning machines

■ Ordering

T4016 90-DEGREE ACTUATOR	Contacts	Wiring Entry	Part No.
T4016-031SM	3 N/C + 1 N/O	3 X 0.5 in. NPT conduit	44539-0010
T4016-022SM	2 N/C + 2 N/O	3 X 0.5 in. NPT conduit	44539-0020
T4016-040SM	4 N/C	3 X 0.5 in. NPT conduit	44539-0030
T4016 FLAT ACTUATOR			
T4016-031TM	3 N/C + 1 N/O	3 X 0.5 in. NPT conduit	44539-0110
T4016-022TM	2 N/C + 2 N/O	3 X 0.5 in. NPT conduit	44539-0120
T4016-040TM	4 N/C	3 X 0.5 in. NPT conduit	44539-0130
T4016 FLEX 1 ACTUATOR			
T4016-031F1M	3 N/C + 1 N/O	3 X 0.5 in. NPT conduit	44539-0210
T4016-022F1M	2 N/C + 2 N/O	3 X 0.5 in. NPT conduit	44539-0220
T4016-040F1M	4 N/C	3 X 0.5 in. NPT conduit	44539-0230
T4016 FLEX 2 ACTUATOR			
T4016-031F2M	3 N/C + 1 N/O	3 X 0.5 in. NPT conduit	44539-0310
T4016-022F2M	2 N/C + 2 N/O	3 X 0.5 in. NPT conduit	44539-0320
T4016-040F2M	4 N/C	3 X 0.5 in. NPT conduit	44539-0330
SWITCH ONLY MODELS (no actuator and no adapter included)			
T4016-031	3 N/C + 1 N/O	3 X 0.5 in. NPT conduit	44539-2010
T4016-022	2 N/C + 2 N/O	3 X 0.5 in. NPT conduit	44539-2020
T4016-040	4 N/C	3 X 0.5 in. NPT conduit	44539-2030
ACCESSORIES			
Standard Actuators with Rubber Bushing			
Replacement flat actuator RB for T4016			44535-0700
Replacement 90-degree actuator RB for T4016			44535-0710
Overtravel Actuators with Rubber Bushing			
Replacement flat actuator OTRB for T4016			44535-0720
Replacement 90-degree actuator OTRB for T4016			44535-0730
Flexible Actuators			
Replacement flex 1 actuator for T4016			44535-0750
Replacement flex 2 actuator for T4016			44535-0760
Slide Bolts			
Bracket with handle for right-hung door for T4016 (yellow)			44535-8000
Bracket with handle for left-hung door for T4016 (yellow)			44535-8010
Miscellaneous			
LED lid kit for T4016			44539-0790