

Compact Count and Time Totalizers with Easy-to-Read Display and NEMA 4 Protection



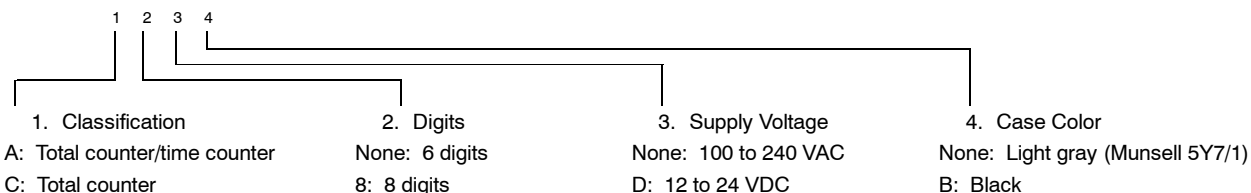
- Large, easy-to-read displays: 15 mm, 6-digit models; 12 mm, 8-digit models
- NEMA 4 protection when used in conjunction with Y92S-33 rubber gasket supplied with each unit
- High-visibility, negative transmissive LCD display with built-in red LED backlight
- Short (66 mm) body
- Six-digit models switch between total count and time counter operation, 8-digit models count totalizer only
- Switch between NPN and PNP operation
- Both external and manual resets provided

Ordering Information

Supply voltage	6-digit count/time counter		8-digit totalizing counter	
	Light gray	Black	Light gray	Black
100 to 240 VAC	H7HP-A	H7HP-AB	H7HP-C8	H7HP-C8B
12 to 24 VDC	H7HP-AD	H7HP-ADB	H7HP-C8D	H7HP-C8DB

Model Number Legend

H7HP-□□□□



REPLACEMENTS

Model	Part number
Rubber gasket (supplied)	Y92S-33
Panel mount adapter (see note)	Y92F-33

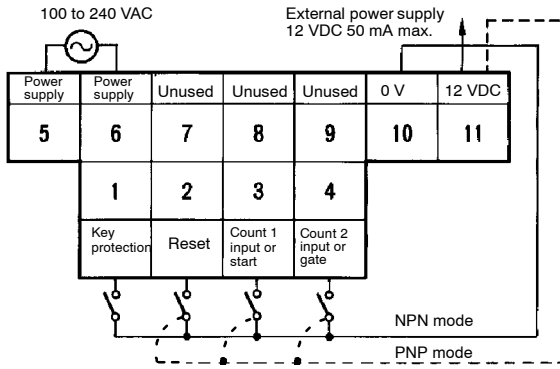
Note: Refer to the *Dimensions* section for notes on panel mounting.

Installation

■ TERMINAL ARRANGEMENT

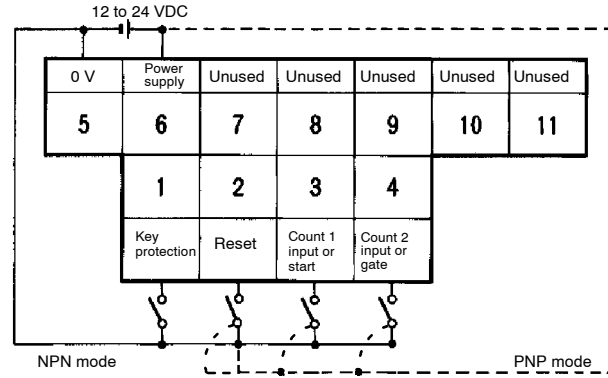
AC Models

H7HP-A

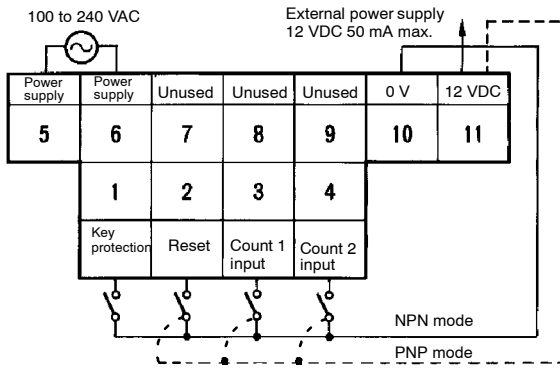


DC Models

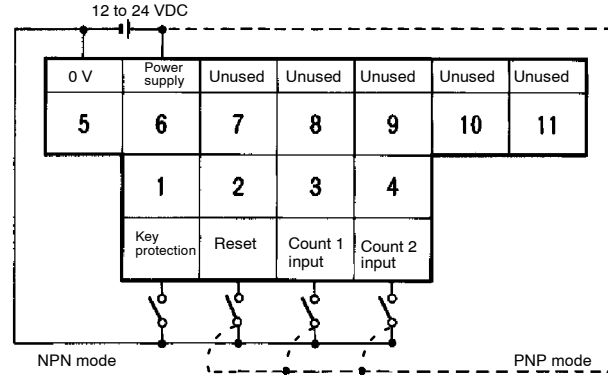
H7HP-AD



H7HP-C8



H7HP-C8D



Note: Count input 1 increments, count input 2 decrements.