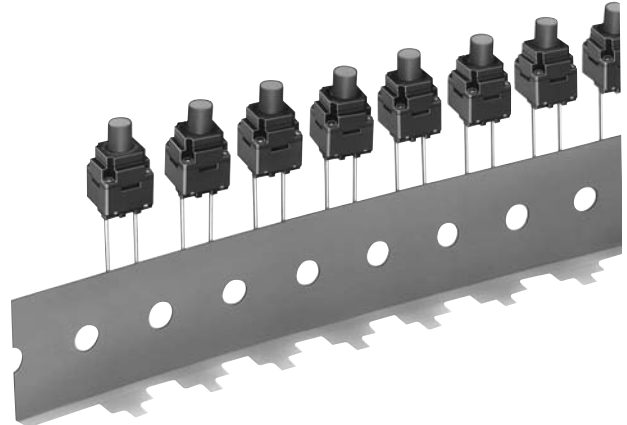


**Through-hole-mounting Switches  
with a Double-sealed Structure  
for High Resistance to Water and Dust.  
Available on Radial Tape**

- Sealed construction conforming to IP67 (IEC-60529) provides high reliability in dusty or humid environments. (\* Excluding the terminal section)
- As compact as 8 mm × 8 mm.
- Allows the use of radial-taping part insertion machines.

RoHS Compliant



### ■ List of Models

#### 8 × 8 mm Models

Type	Contact material	Height	Operating force (OF)	Plunger color	Taped Radial	
					Model without ground terminal	Minimum packing unit
B3WN	Silver plated	13 mm	1.96 N {200 gf}	Black	B3WN-6002(S)	1,000 pcs
			2.55 N {260 gf}		B3WN-6005	

**Note:** The switches are tape packaged in units of 1,000 per package. Order in multiples of the package size. Switches are not sold individually

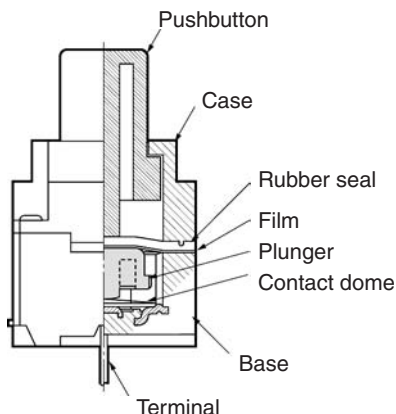
### ■ Ratings/Characteristics

<b>Rating (resistive load)</b>	1 to 50 mA, 3 to 12 VDC
<b>Minimum applicable load (reference value)</b>	10 μA at 1 VDC (resistive load)
<b>Ambient operating temperature</b>	-25°C to +85°C at 60%RH max. (with no icing or condensation)
<b>Ambient operating humidity</b>	35% to 85% (at +5 to +35°C)
<b>Contact form</b>	SPST-NO
<b>Contact resistance (initial value)</b>	100 mΩ max.
<b>Insulation resistance</b>	100 MΩ min. (at 100 VDC with insulation tester)
<b>Dielectric strength</b>	250 VAC, 50/60Hz for 1 min
<b>Bounce time</b>	10 ms max.
<b>Vibration resistance</b>	Malfunction: 10 to 55 Hz, 1.5-mm double amplitude
<b>Shock resistance</b>	Destruction: 784 m/s <sup>2</sup> {approx. 80G} max. Malfunction: 100 m/s <sup>2</sup> {approx. 10G} max.
<b>Durability</b>	100,000 operations min.
<b>Weight</b>	Approx. 0.7 g
<b>Degree of protection</b>	IEC IP67
<b>Washing</b>	Possible

■ Operating Characteristics

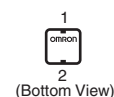
Item	B3WN-6002(S)	B3WN-6005
Operating force (OF)	1.96±0.69 N {200±70 gf}	2.55±0.69 N {260 gf±70 gf}
Releasing force (RF)	0.49 N {50 gf} min.	
Pretravel (PT)	0.3 <sup>+0.2</sup> <sub>-0.1</sub> mm	

■ Model Structure

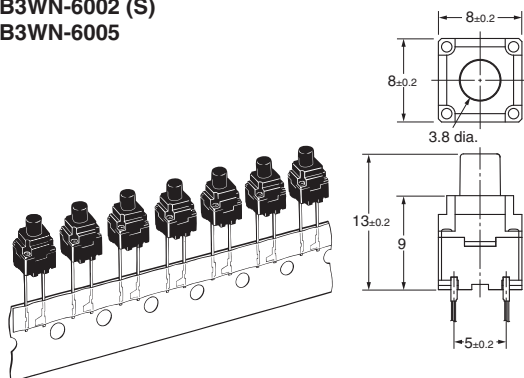


■ Dimensions (Unit: mm)

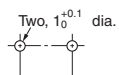
**Note:** The numbers used for terminals in the following graphics are indicated in the "Bottom View" diagram below. In this diagram, the Switch is rotated so that the terminals are on the right and left-hand sides, and the OMRON logo appears the right way up.



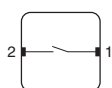
B3WN-6002 (S)  
B3WN-6005



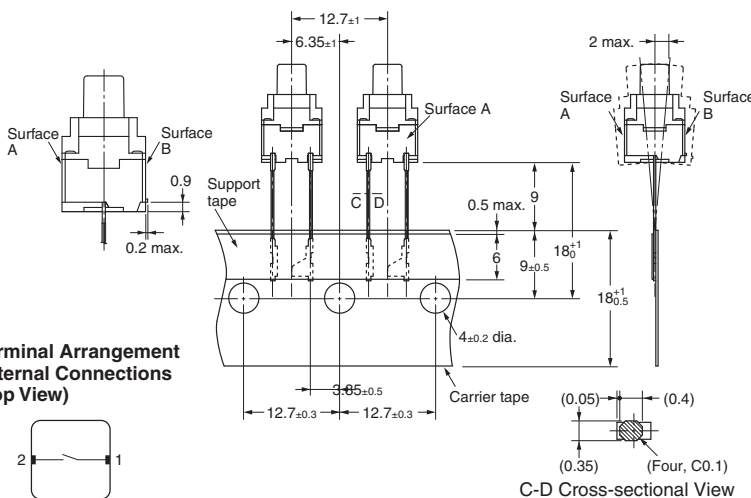
**PCB Processing Dimensions (Reference Only) (Top View)**  
(PCB thickness, t=1.6)



**Terminal Arrangement /Internal Connections (Top View)**



**Note:** The tape is random between surface A and surface B.



C-D Cross-sectional View

**Note:** Unless otherwise specified, a tolerance of ±0.4 mm applies to all dimensions. No terminal numbers are indicated on the Switches.

■ Precautions

Be sure to read the safety precautions common to all Tactile Switches on pages for correct use.

- Application examples provided in this document are for reference only. In actual applications, confirm equipment functions and safety before using the product.
- Consult your OMRON representative before using the product under conditions which are not described in the manual or applying the product to nuclear control systems, railroad systems, aviation systems, vehicles, combustion systems, medical equipment, amusement machines, safety equipment, and other systems or equipment that may have a serious influence on lives and property if used improperly. Make sure that the ratings and performance characteristics of the product provide a margin of safety for the system or equipment, and be sure to provide the system or equipment with double safety mechanisms.

**Note: Do not use this document to operate the Unit.**

**OMRON Corporation**  
Electronic and Mechanical Components Company

Contact: [www.omron.com/ecb](http://www.omron.com/ecb)

Cat. No. A112-E1-05  
1014(0207)(O)