

# OV7251 VGA product brief



**Motion Blur**



**Global Shutter**

## Low Power and Compact CameraChip™ Sensor with Industry's Smallest Global Shutter Pixel



available in a lead-free package

The OV7251 is a small form factor, low power CameraChip™ sensor that uses a global shutter to reduce or eliminate unwanted image artifacts, which occur with traditional rolling shutter image sensors as a result of motion during image capture. The sensor's global shutter and excellent low-light sensitivity allow it to be used for any application that has a need for gesture detection, head and eye tracking, and depth and motion detection.

The OV7251's compact form factor makes it a highly attractive camera solution for narrow-bezel applications such as smartphones, tablets, notebooks and Ultrabooks. Likewise, the sensor's low-power consumption makes it an ideal dedicated gesture sensor for similar application areas.

Leveraging the industry's smallest global shutter pixel, the black and white OV7251 is capable of capturing VGA (640x480) resolution video at 100 frames per

second (fps), QVGA (320x240) at 180 fps with binning, and QQVGA (160x120) at 360 fps with binning and skipping. The OV7251's high frame rates make it an ideal solution for low-latency machine vision applications.

The 1/7.5-inch OV7251 features multiple low-power modes, including light sensing mode and ultra-low power standby mode. In light sensing mode, the OV7251 behaves like an Ambient Light Sensor (ALS), which wakes the sensor up from "sleep mode" only when a change in light has been detected. Similarly, in ultra-low power mode the sensor can reduce the resolution and frame rates to further reduce power consumption.

Find out more at [www.ovt.com](http://www.ovt.com).



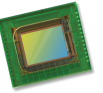
## Applications

- Cellular Phones
- Digital Still Cameras (DSC)
- Digital Video Camcorders (DVC)
- PC Multimedia
- Tablets
- Wearable Devices

## Product Features

- 3  $\mu\text{m} \times 3 \mu\text{m}$  pixel with OmniPixel3-GS™ technology
- automatic black level calibration (ABLC)
- programmable controls for frame rate, mirror and flip, cropping and windowing
- support output formats: 8-/10-bit RAW
- support for image sizes: 640x480, 320x240, 160x120
- fast mode switching
- supports horizontal and vertical 2:1 and 4:1 monochrome subsampling
- ambient light sensor mode
- ULPM mode
- supports 2x2 monochrome binning
- one-lane MIPI serial output interface
- one-lane LVDS serial output interface
- embedded 256 bits of one-time programmable (OTP) memory for part identification
- two on-chip phase lock loops (PLLs)
- built-in 1.5V regulator for core
- PWM
- built-in strobe control

# OV7251



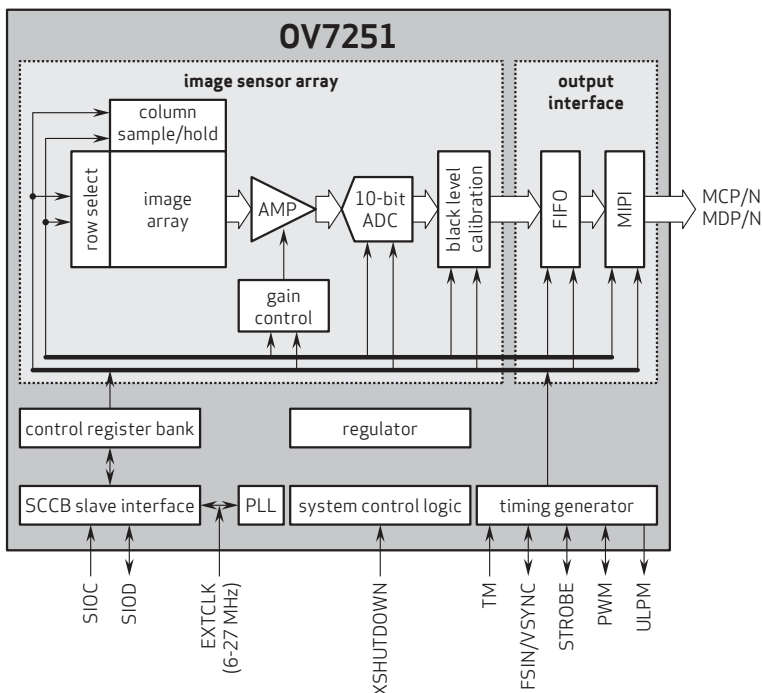
## Ordering Information

- OV07251-A35A**  
(B&W, lead-free, 35-pin CSP3)
- OV07251-G04A**  
(B&W, chip probing, 200  $\mu\text{m}$  backgrounding, reconstructed wafer)

## Product Specifications

- active array size:** 640 x 480
- power supply:**
  - core: 1.5V (optional)
  - analog: 2.8V (nominal)
  - I/O: 1.8V (nominal)
- power requirements:**
  - active: 117 mW (VGA @ 100 fps)
  - standby: 15  $\mu\text{A}$  for AVDD, 40  $\mu\text{A}$  for DOVDD without input clock, 700  $\mu\text{A}$  for DOVDD with input clock
  - XSHUTDOWN: 5  $\mu\text{A}$  for AVDD, 5  $\mu\text{A}$  for DOVDD
- temperature range:**
  - operating: -30°C to +70°C junction temperature
  - stable image: 0°C to +50°C junction temperature
- output interface:** 1-lane MIPI/LVDS serial output
- output formats:** 10-bit B&W RAW
- lens size:** 1/7.5"
- input clock frequency:** 6 - 27 MHz
- lens chief ray angle:** 29° non-linear
- max S/N ratio:** 39 dB
- dynamic range:** 69.6 dB @ 8x gain
- maximum image transfer rate:**
  - 640x480: 100 fps
- sensitivity:**
  - 7190 mV/( $\mu\text{W} \cdot \text{cm}^2 \cdot \text{sec}$ ) @ 850 nm
  - 2800 mV/(lux $\cdot\text{sec}$ ) @ 530 nm
- scan mode:** progressive
- maximum exposure interval:** 502 x  $T_{\text{ROW}}$
- pixel size:** 3  $\mu\text{m} \times 3 \mu\text{m}$
- dark current:** 350 e<sup>-</sup>/s @ 50°C junction temperature
- image area:** 1968  $\mu\text{m} \times 1488 \mu\text{m}$
- package dimensions:** 3910  $\mu\text{m} \times 3410 \mu\text{m}$

## Functional Block Diagram



4275 Burton Drive  
Santa Clara, CA 95054  
USA

Tel: +1 408 567 3000  
Fax: +1 408 567 3001  
www.ovt.com

OmniVision reserves the right to make changes to their products or to discontinue any product or service without further notice. OmniVision and the OmniVision logo are registered trademarks of OmniVision Technologies, Inc. CameraChip and OmniB51-2 are trademarks of OmniVision Technologies, Inc. All other trademarks are the property of their respective owners.



OmniVision