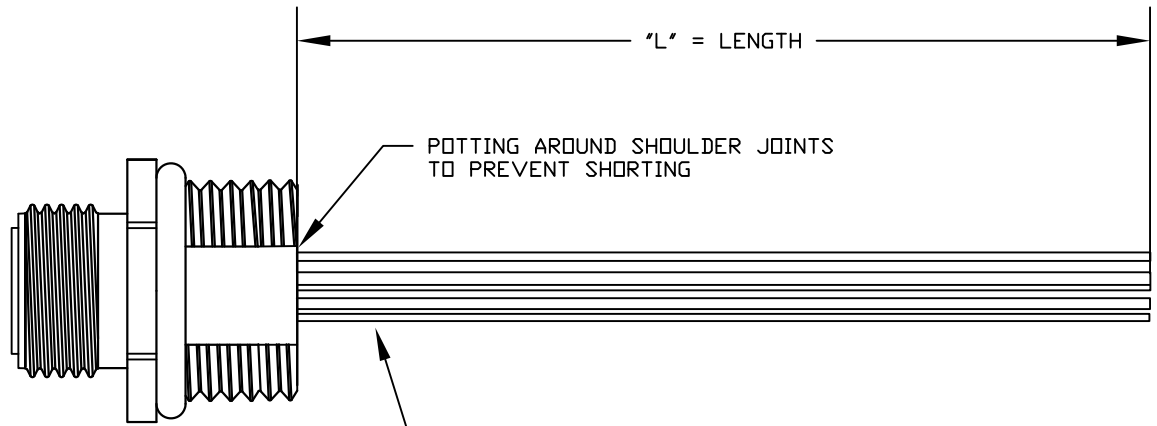
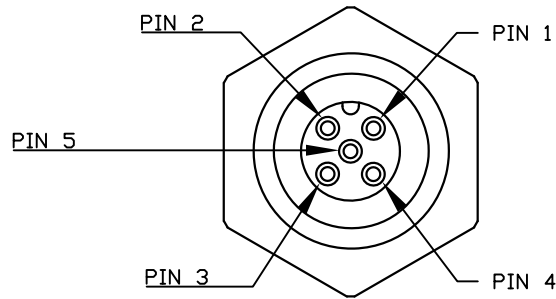


DESCRIPTION: M12 5 POSITION BRASS MALE PIGTAIL



POTTING AROUND SHOULDER JOINTS TO PREVENT SHORTING

24 AWG (7X32) HOOKUP WIRE, UL 1007 (COLORS AS STATED IN SCHEMATIC BELOW)

CONNECTOR: 859S005-103R0M4

\*\*SEE PAGE 2 FOR DETAILS

WIRING SCHEMATIC

1	2
PIN 1 = BROWN	PIN 1 = RED
PIN 2 = WHITE	PIN 2 = GREEN
PIN 3 = BLUE	PIN 3 = BLACK
PIN 4 = BLACK	PIN 4 = WHITE
PIN 5 = GREY	PIN 5 = GREY

MPM12A05IYYCF0Y  
 INCHES ————  
 01 = WIRING SCHEMATIC 1  
 02 = WIRING SCHEMATIC 2  
 LENGTH  
 EX: 06 = 6 INCHES  
 12 = 12 INCHES

NOTE: PACKAGED 10 PER BAG

RoHS COMPLIANT

UNITS IN INCHES [MM] DO NOT SCALE FROM DRAWING



THESE DRAWINGS AND SPECIFICATIONS ARE THE PROPERTY OF NorComp AND SHALL NOT BE REPRODUCED, COPIED OR USED AS THE BASIS FOR THE MANUFACTURE OR SALE OF APPARATUS WITHOUT WRITTEN PERMISSION.

DRAWN:

G. BROWN

DATE:

01/23/2019

NorComp

SCALE: NTS

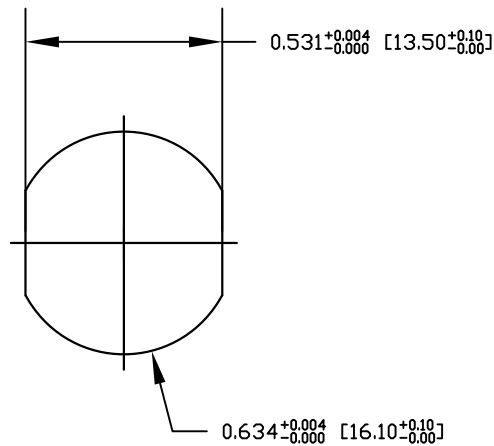
SHEET 1 OF 2

REV 2

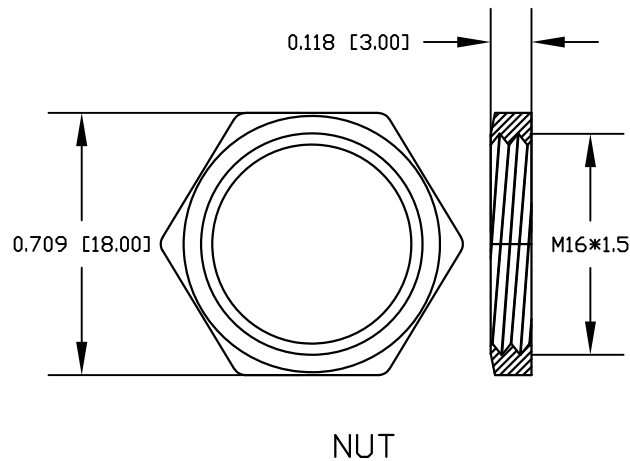
DWG NO.

MPM12A05IYYCF0Y

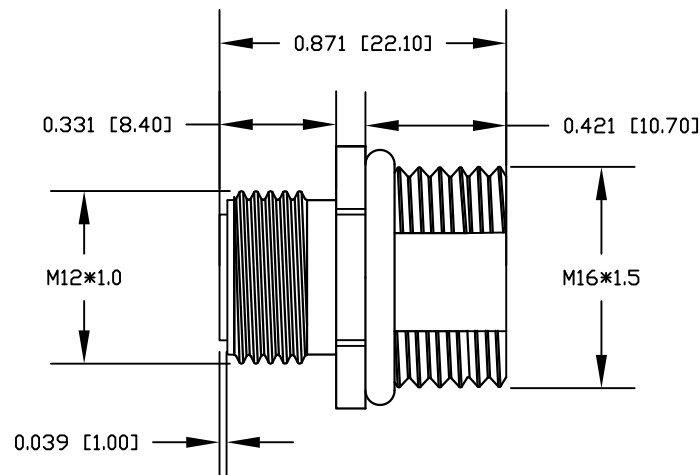
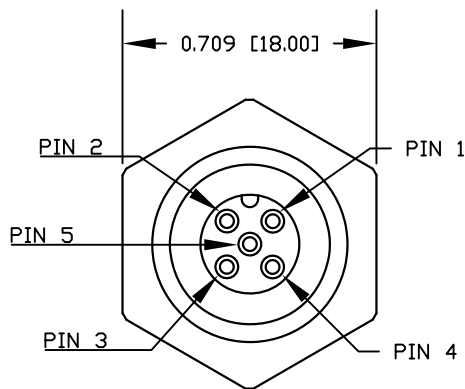
NOTE:



RECOMMENDED PANEL CUT-OUT



MATERIAL	
HOUSING:	PBT UL94V-0, BLACK
CONTACT:	BRASS
NUT:	BRASS
SHELL:	BRASS
O-RING:	EPDM, BLACK
FINISH	
CONTACT:	GOLD PLATED, 10μ' Min.
UNDER PLATE:	NICKEL
NUT:	NICKEL PLATED
SHELL:	NICKEL PLATED
ELECTRICAL	
RATED CURRENT:	4A
RATED VOLTAGE:	60V
INSULATION RESISTANCE:	100MΩ MIN
CONTACT RESISTANCE:	10mΩ MAX
WATER PROOF:	IP67/68
ENVIRONMENT	
OPERATION TEMPERATURE:	-40°C ~ +85°C



RoHS COMPLIANT

UNITS IN INCHES [MM] DO NOT SCALE FROM DRAWING



THESE DRAWINGS AND SPECIFICATIONS ARE THE PROPERTY OF NorComp AND SHALL NOT BE REPRODUCED, COPIED OR USED AS THE BASIS FOR THE MANUFACTURE OR SALE OF APPARATUS WITHOUT WRITTEN PERMISSION.

DRAWN:

G. BROWN

DATE:

01/23/2019

NorComp

SCALE:  
NTS

SHEET OF  
2 2

REV  
2

DWG NO.

MPM12A05IYYCF0Y