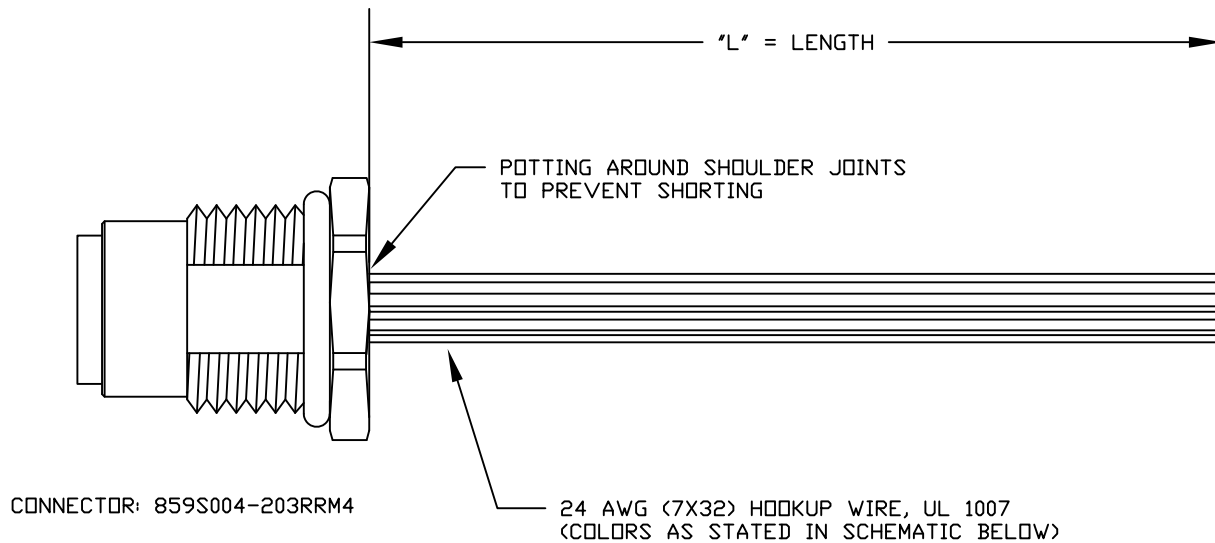
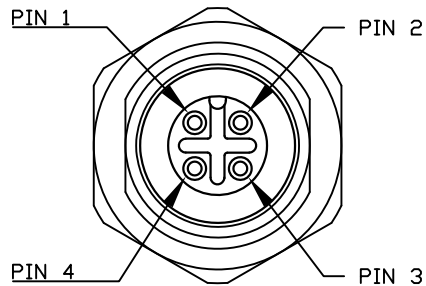


DESCRIPTION: M12 4 POSITION BRASS FEMALE PIGTAIL



**SEE PAGE 2 FOR DETAILS

WIRING SCHEMATIC

| 1 | 2 |
|-----------|-----------|
| PIN | PIN |
| 1 = BROWN | 1 = RED |
| 2 = WHITE | 2 = GREEN |
| 3 = BLUE | 3 = BLACK |
| 4 = BLACK | 4 = WHITE |

FPM12A04IYYCR0Y

INCHES

01 = WIRING SCHEMATIC 1
02 = WIRING SCHEMATIC 2

LENGTH
EX: 06 = 6 INCHES
12 = 12 INCHES

NOTE: PACKAGED 10 PER BAG

RoHS COMPLIANT

UNITS IN INCHES [MM] DO NOT SCALE FROM DRAWING



THESE DRAWINGS AND SPECIFICATIONS ARE THE PROPERTY OF NorComp AND SHALL NOT BE REPRODUCED, COPIED OR USED AS THE BASIS FOR THE MANUFACTURE OR SALE OF APPARATUS WITHOUT WRITTEN PERMISSION.

DRAWN:
G. BROWN

DATE:
01/23/2019

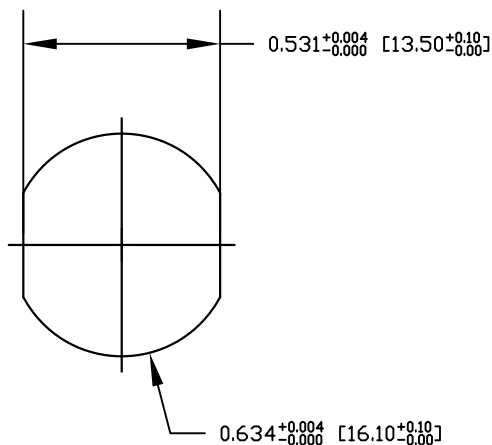
NorComp

| | | |
|----------------------------|-----------------|----------|
| SCALE: NTS | SHEET OF 1 2 | REV 2 |
| DWG NO. FPM12A04IYYCR0Y | | |

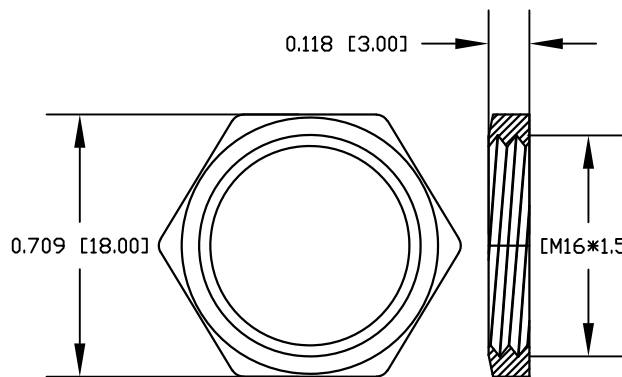
DESCRIPTION: M12 4 POSITION BRASS FEMALE PIGTAIL

NOTE:

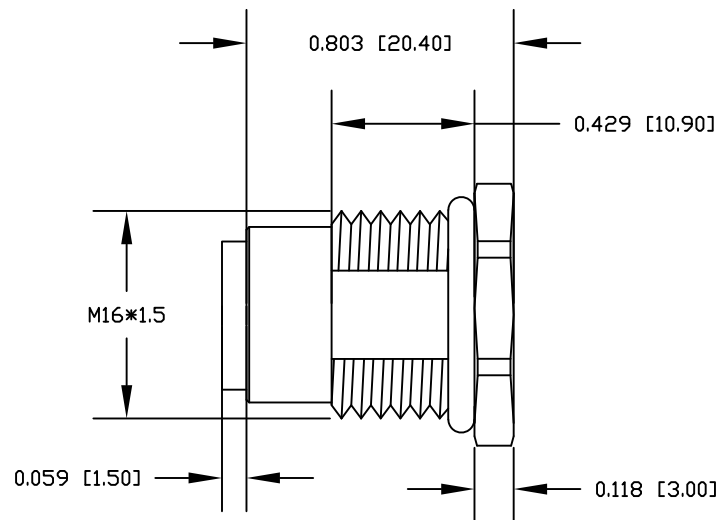
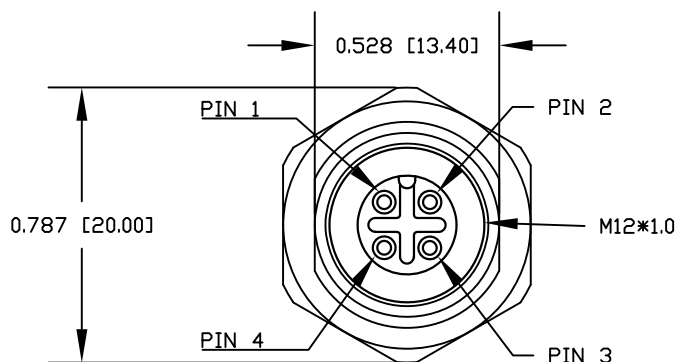
MATERIAL
 HOUSING: PBT UL94V-0, BLACK
 CONTACT: BRASS
 NUT: BRASS
 SHELL: BRASS
 O-RING: EPDM, BLACK
 FINISH
 CONTACT: GOLD PLATED, 10µ" Min.
 UNDER PLATE: NICKEL
 NUT: NICKEL PLATED
 SHELL: NICKEL PLATED
 ELECTRICAL
 RATED CURRENT: 4A
 RATED VOLTAGE: 250V
 INSULATION RESISTANCE: 100MΩ MIN
 CONTACT RESISTANCE: 10mΩ MAX
 WATER PROOF: IP67/68
 ENVIRONMENT
 OPERATION TEMPERATURE: -40°C ~ +85°C



RECOMMENDED PANEL CUT-OUT



NUT



RoHS COMPLIANT

UNITS IN INCHES [MM] DO NOT SCALE FROM DRAWING



THESE DRAWINGS AND SPECIFICATIONS ARE THE PROPERTY OF NorComp AND SHALL NOT BE REPRODUCED, COPIED OR USED AS THE BASIS FOR THE MANUFACTURE OR SALE OF APPARATUS WITHOUT WRITTEN PERMISSION.

DRAWN:
 G. BROWN
 DATE:
 01/23/2019

NorComp

| | | |
|--------------------------|-----------------|----------|
| SCALE: NTS | SHEET OF 2 2 | REV 2 |
| DWG NO. FPM12A04IYYCRO Y | | |