

DESCRIPTION: VERTICAL MOUNT FEMALE LOW PROFILE/PLASTIC BACK PRESS FIT

MATERIALS:

INSULATOR: NYLON 6T, UL94V-0 - 260° PROCESS TEMP.  
CHEMICAL RESISTANCE, COLOR BLACK

SHELL: STEEL, NICKEL PLATED

CONTACT: MALE=BRASS; FEMALE=PHOSPHOR BRONZE  
GOLD FLASH OR 30 MICRO-INCH IN MATING AREA

TIN PLATING ON TAIL ENDS  
RoHS COMPLIANT

ELECTRICAL:

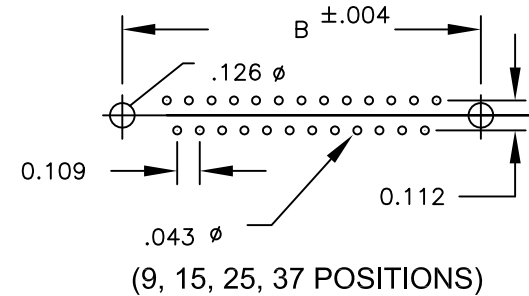
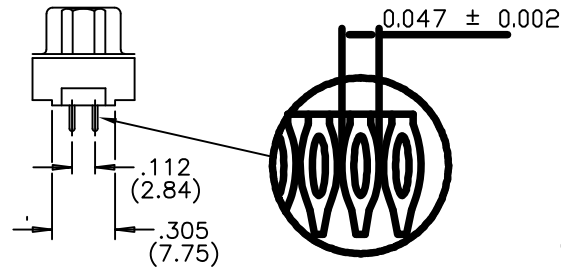
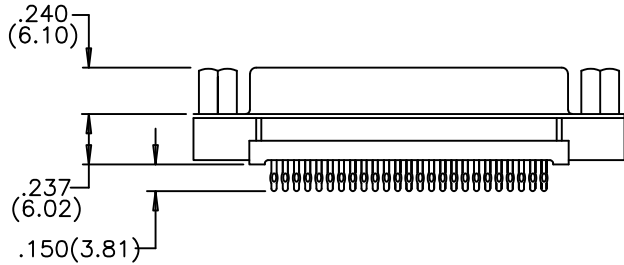
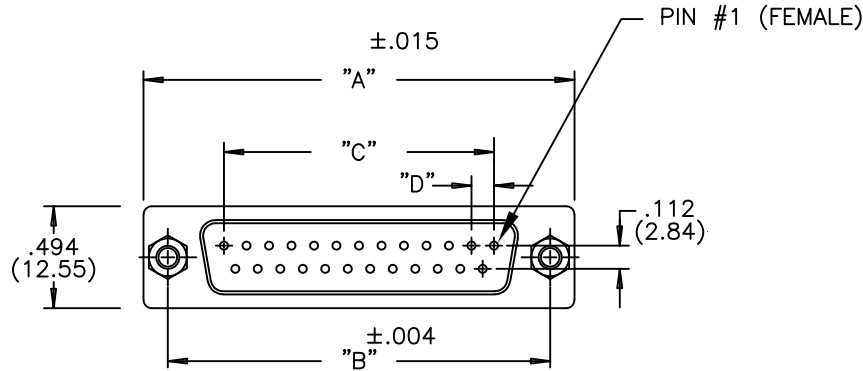
CURRENT RATING: 5 AMPERES

DIELECTRIC WITHSTANDING VOLTAGE: 1000VAC rms AT SEA LEVEL

INSULATION RESISTANCE: 5000 MEGOHMS MIN.

CONTACT RESISTANCE: 10 MILLIOHMS MAX.

WORKING TEMPERATURE: -55° TO +125° C



191-025-223RYYY

- SERIES \_\_\_\_\_
- NUMBER OF CONTACTS \_\_\_\_\_
- GENDER \_\_\_\_\_
- 1 = MALE  
2 = FEMALE (NO GROUND INDENTS)
- TERMINATION \_\_\_\_\_
- 2 - PRESS FIT
- SHELL \_\_\_\_\_
- 2 = TIN SHELL  
3 = NICKEL SHELL
- HARDWARE OPTIONS: \_\_\_\_\_
- 00 = .125 HOLE  
55 = 4-40 INSERT  
56 = 4-40 INSERT WITH BOARD LOCKS  
57 = 4-40 STANDOFF WITH BOARD LOCKS  
59 = 4-40 STANDOFF
- PLATING \_\_\_\_\_
- 1 = GOLD FLASH  
2 = 30 MICRO-INCH GOLD

NUMBER OF CONTACTS	"A" Inch (mm)	"B" Inch (mm)	"C" Inch (mm)	"D" Inch (mm)
9	1.214 (30.84)	.984 (24.99)	.432 (10.97)	.109 (2.76)
15	1.545 (39.24)	1.312 (33.32)	.756 (19.20)	.109 (2.76)
25	THIS SIZE HAS BEEN DISCONTINUED			
37	2.730 (69.34)	2.500 (63.50)	1.956 (49.68)	.109 (2.76)

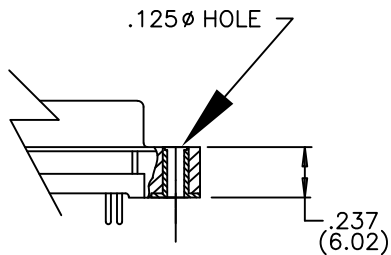


THESE DRAWINGS AND SPECIFICATIONS ARE THE PROPERTY OF NorComp AND SHALL NOT BE REPRODUCED, COPIED OR USED AS THE BASIS FOR THE MANUFACTURE OF SALE OF APPARATUS WITHOUT WRITTEN PERMISSION.

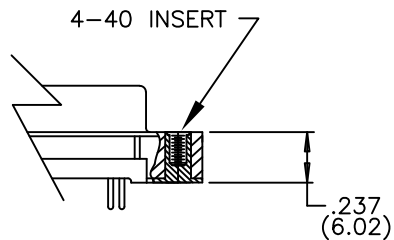
DRAWN: PAM JENKINS		DATE: 9-15-05	
SCALE: NTS	SHEET 1	OF 2	REV 4
DWG NO. 191-YYY-223RYYY			

NorComp

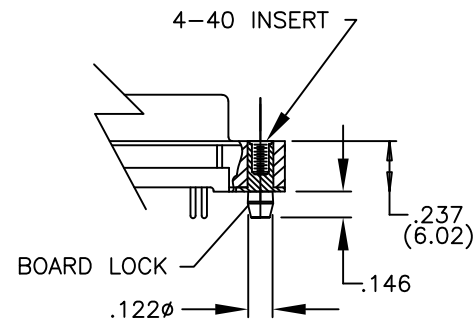
00 = .125 DIA. HOLE



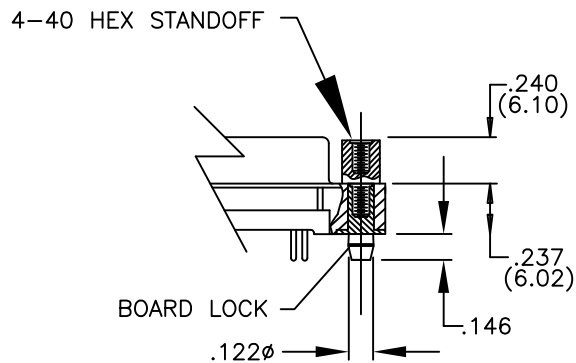
55 = 4-40 INSERT



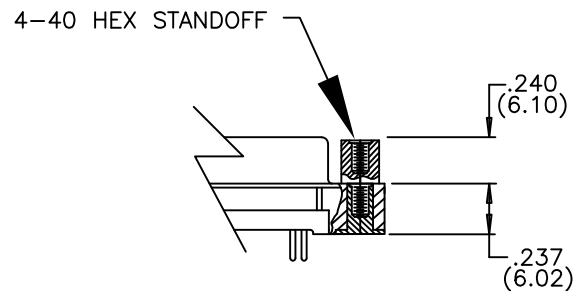
56 = 4-40 INSERT WITH BOARD LOCK



57 = 4-40 STANDOFF WITH BOARD LOCKS



59 = 4-40 STANDOFF



THESE DRAWINGS AND SPECIFICATIONS ARE THE PROPERTY OF NorComp AND SHALL NOT BE REPRODUCED, COPIED OR USED AS THE BASIS FOR THE MANUFACTURE OF SALE OF APPARATUS WITHOUT WRITTEN PERMISSION.

DRAWN:  
PAM JENKINS

DATE:  
9-15-05

**NorComp**

SCALE: NTS SHEET 2 OF 2 REV 4

DWG NO. 191-YYY-223RYYY