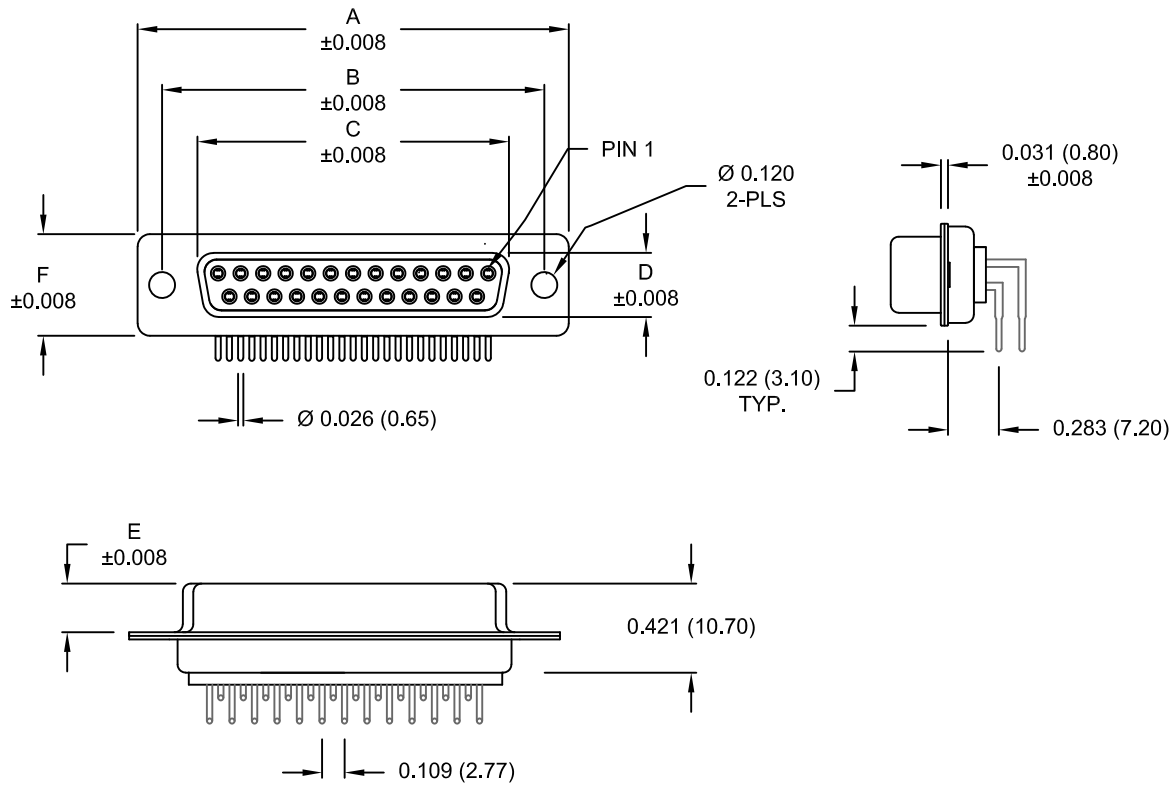


DESCRIPTION: FEMALE - 0.283 RIGHT ANGLE / MACHINED - ECONOMY



DIMENSIONS						
No. OF PINS	A	B	C	D	E	F
9	1.213	0.984	0.642	0.311	0.228	0.492
	30.80	25.00	16.30	7.90	5.80	12.50
15	1.541	1.312	0.970	0.311	0.228	0.492
	39.20	33.30	24.60	7.90	5.80	12.50
25	2.089	1.852	1.512	0.311	0.228	0.492
	53.05	47.05	38.40	7.90	5.80	12.50
37	2.728	2.500	2.157	0.311	0.228	0.492
	69.40	63.50	54.80	7.90	5.80	12.50
50	2.638	2.402	2.055	0.429	0.236	0.602
	67.00	61.00	52.20	10.90	6.00	15.30

173-EYY-21YRYY1

SERIES \_\_\_\_\_  
 POSITIONS \_\_\_\_\_  
 E09  
 E15  
 E25  
 E37  
 E50  
 GENDER \_\_\_\_\_  
 2 = FEMALE  
 TERMINATION \_\_\_\_\_  
 1 = PC MOUNTING  
 SHELL PLATING \_\_\_\_\_  
 3 = NICKEL  
 RoHS COMPLIANT \_\_\_\_\_  
 HARDWARE OPTIONS \_\_\_\_\_  
 00 = NO HARDWARE  
 0A = 0.098" CLINCH NUT (BOARD SIDE)  
 14 = SHORT BRACKET WITH 4-40 SCREW LOCK  
 24 = SHORT BRACKET WITH 4-40 SCREW  
 46 = BRACKET WITH 4-40 INSERT & BOARDLOCK  
 PLATING OPTIONS \_\_\_\_\_  
 1 = GOLD FLASH  
 2 = 30MICRO-INCH GOLD  
 3 = 50MICRO-INCH GOLD

**MATERIAL:**

SHELL: STEEL, NICKEL PLATED  
 INSULATOR: UL 94V-O RATED, WHITE PA6T  
 PROCESS TEMP.: 260° PROCESS TEMPERATURE  
 CONTACT: PRECISION MACHINED COPPER

**ELECTRICAL:**

CURRENT RATING: 5 AMPS  
 CONTACT RESISTANCE: 10 mOhms Max.  
 INSULATION RESISTANCE: 5 G Ohms min.  
 VOLTAGE: 1000 V AC FOR 1 MINUTE  
 TEMPERATURE: -55° C TO +125° C

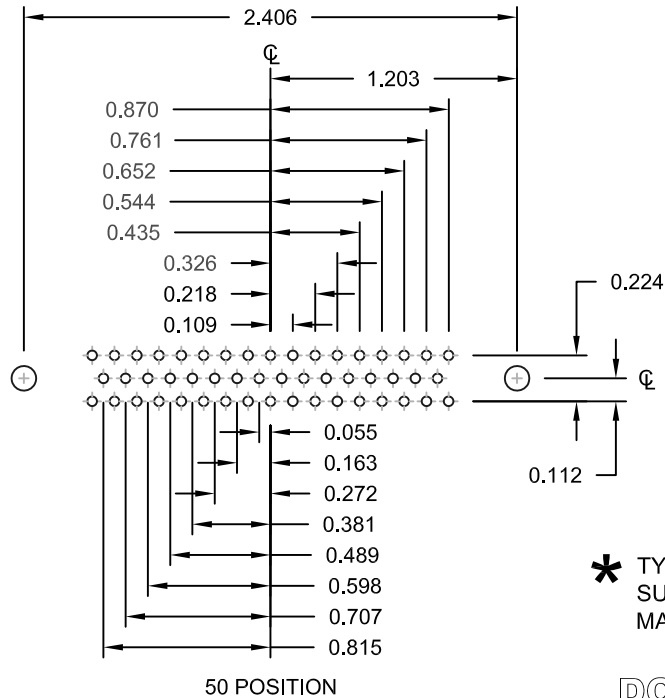
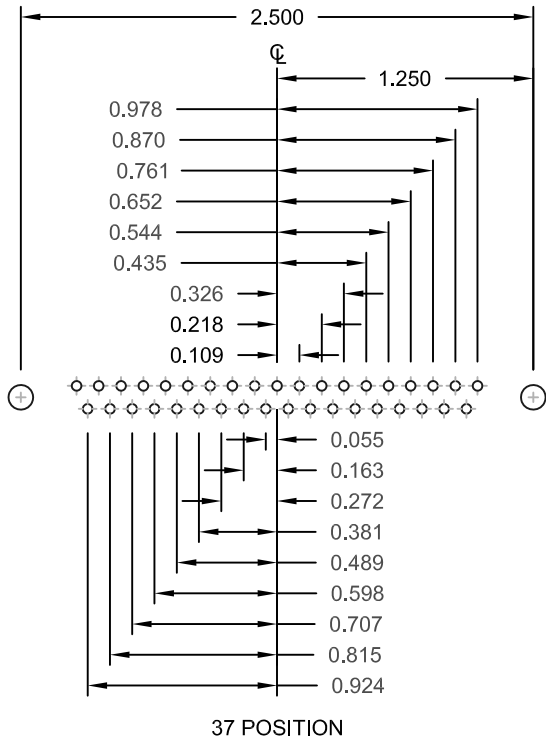
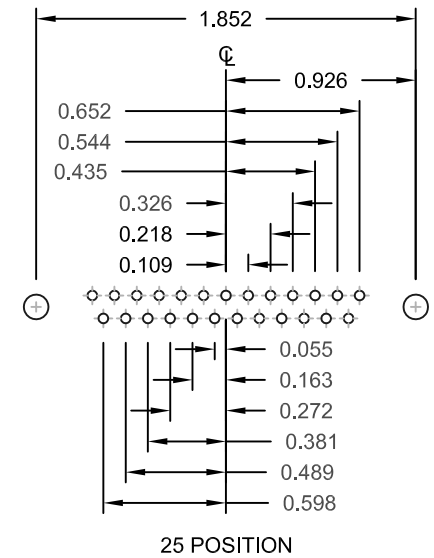
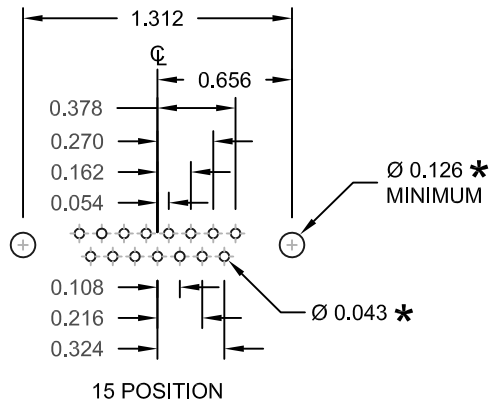
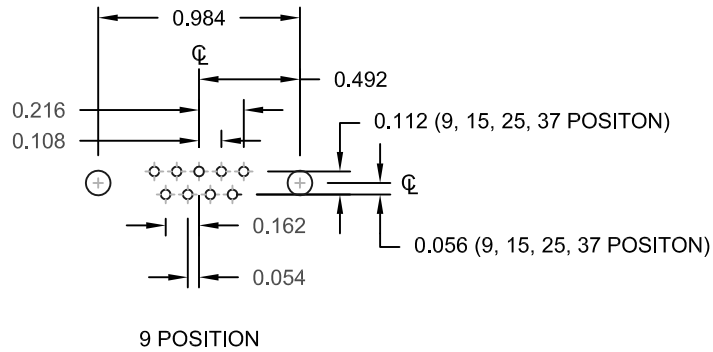
UNITS = inch [mm]

DO NOT SCALE FROM DRAWING

RoHS COMPLIANT

	THESE DRAWINGS AND SPECIFICATIONS ARE THE PROPERTY OF NorComp AND SHALL NOT BE REPRODUCED, COPIED OR USED AS THE BASIS FOR THE MANUFACTURE OF SALE OF APPARATUS WITHOUT WRITTEN PERMISSION.	DRAWN: PAM JENKINS DATE: 11-28-05
		SCALE: NTS SHEET 1 OF 3 REV 18
DWG NO. 173-EYY-21YRYY1		

DESCRIPTION: PCB LAYOUT - STANDARD "D" - MALE & FEMALE



UNITS = inch

\* TYP. SUGGESTED SIZE MAY NOT BE SUITABLE FOR ALL APPLICATIONS

DO NOT SCALE FROM DRAWING



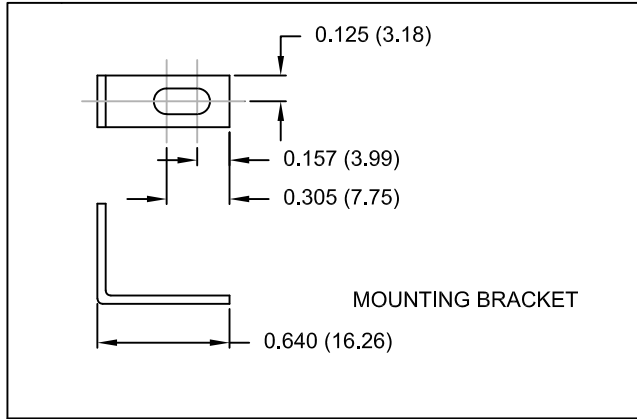
THESE DRAWINGS AND SPECIFICATIONS ARE THE PROPERTY OF NorComp AND SHALL NOT BE REPRODUCED, COPIED OR USED AS THE BASIS FOR THE MANUFACTURE OF SALE OF APPARATUS WITHOUT WRITTEN PERMISSION.

DRAWN: PAM JENKINS		DATE: 11-28-05	
SCALE: NTS	SHEET 2	OF 3	REV 18
DWG NO. 173-EYY-21YRY1			

NorComp

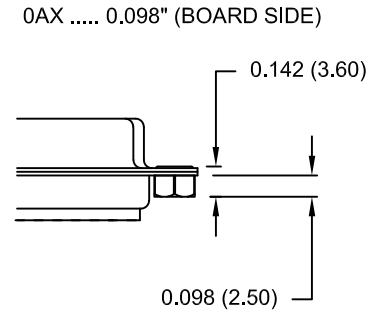
DESCRIPTION: CLINCH NUT HARDWARE

REPLACE -YY IN LAST 3 DIGITS WITH OPTION CHOSEN



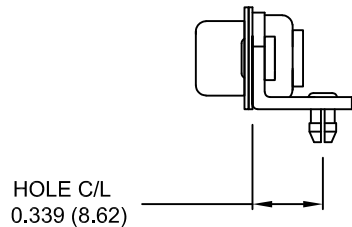
14Y = SHORT BRACKET & 4-40  
FEMALE HEX SOCKET  
24Y = SHORT BRACKET & 4-40  
SCREW

CLINCH-NUT HAS 4-40 INTERNAL THREADS



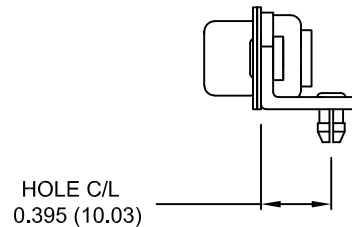
46Y = BRACKET WITH 4-40 INSERT AND  
BOARDLOCK

9-37 POSITION  
CONNECTOR  
BRACKET

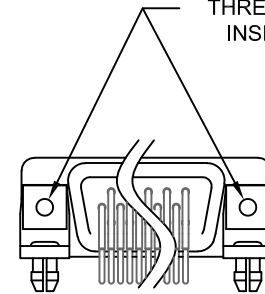


50 POSITION  
CONNECTOR  
BRACKET

NOTE: LOCATOR PLATE PRESENT ON 50 PIN ONLY



#4-40  
THREADED  
INSERT



BRACKETS MOUNTED ON CONNECTOR

UNITS = inch [mm]

DO NOT SCALE FROM DRAWING



THESE DRAWINGS AND SPECIFICATIONS ARE THE PROPERTY OF NorComp AND SHALL NOT BE REPRODUCED, COPIED OR USED AS THE BASIS FOR THE MANUFACTURE OF SALE OF APPARATUS WITHOUT WRITTEN PERMISSION.

DRAWN:  
PAM JENKINS

DATE:  
11-28-05

NorComp

SCALE: NTS SHEET 3 OF 3 REV 18

DWG NO. 173-EYY-21YRY1

RoHS COMPLIANT