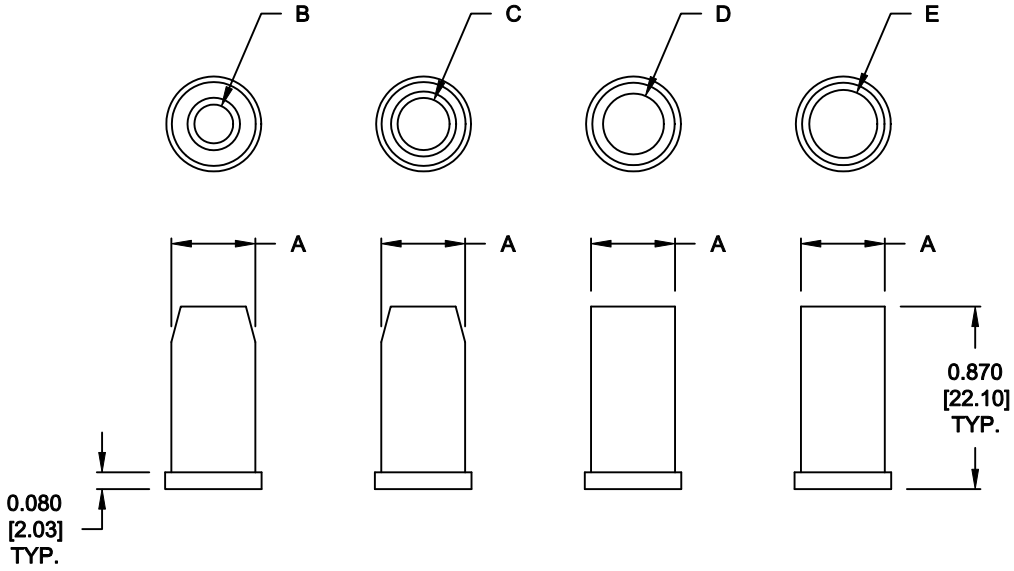


DESCRIPTION: GROMMETS

MATERIAL: NON-CONDUCTIVE BLACK PVC


TOLERANCE = ± 0.010 " [0.25]

PART NUMBERS	OUTSIDE DIAMETER	MAX. CABLE DIAMETER			
	A	B	C	D	E
162-000-925R000	0.400	0.185	0.248	0.290	0.324
162-000-037R000	0.620	0.300	0.400	0.490	
162-000-050R000	0.720	0.320	0.410	0.490	0.650



DO NOT SCALE FROM DRAWING

RoHS COMPLIANT

	THESE DRAWINGS AND SPECIFICATIONS ARE THE PROPERTY OF NorComp AND SHALL NOT BE REPRODUCED, COPIED OR USED AS THE BASIS FOR THE MANUFACTURE OF SALE OF APPARATUS WITHOUT WRITTEN PERMISSION.	DRAWN: PAM JENKINS	DATE: 03-12-05	
		CHECKED:	DATE:	
<h1>NorComp</h1>		SCALE: 1 : 1	SHEET 1 OF 1	REV 5
		DWG NO. 162-000-YYR000		