

GENERAL SPECIFICATIONS FOR S800s & S732

Electrical Capacity (Resistive & Inductive Load)

Power Level: Shown in the following tables

Other Ratings

Contact Resistance: 10 milliohms maximum
Insulation Resistance: 1,000 megohms minimum @ 500V DC
Dielectric Strength: 2,000V AC minimum for S800s & S800Ds
 3,000V AC minimum for S732
Mechanical Life: 50,000 operations minimum
Electrical Life: 10,000 operations minimum for S800Ds
 25,000 operations minimum for S800s & S732
Angle of Throw (α): Shown in tables on following pages

Materials & Finishes

Toggle: Brass with nickel plating for S732
 Brass with chrome plating for S800s & S800Ds
Bushing: Brass with chrome plating
Case: Phenolic resin
Case Cover: Steel with zinc plating
Movable Contactor Plate: Copper with silver plating
Movable & Stationary Contacts: Silver alloy capped on copper with silver plating
Common Terminals: Brass
Contact Terminals: Brass with silver or nickel plating

Environmental Data

Operating Temp Range: -10°C through +70°C (+14°F through +158°F)









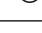
Installation

Mounting Torque: 30 kgf/cm (26 lb/in) for double nut; 15 kgf/cm (13 lb/in) for single nut
Maximum Panel Thickness: Shown beneath panel cutout in switch dimension drawings
Soldering Time & Temperature: 3 seconds @ 350°C or 5 seconds @ 270°C

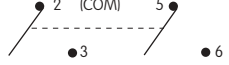

Standards & Certifications

UL Recognized: Designated with UL recognized symbol beside part numbers on following pages
 See Supplement Index (page Z1) to find UL rating details. UL File No. E44145
 Add "/U" to end of part number to order UL mark on switch.
CSA Certified: Designated with CSA certified symbol beside part numbers on following pages
 See Supplement Index (page Z1) to find CSA rating details. File No. LR23535
 Add "/C" to end of part number to order CSA mark on switch.

DOUBLE POLE WITH SCREW LUG

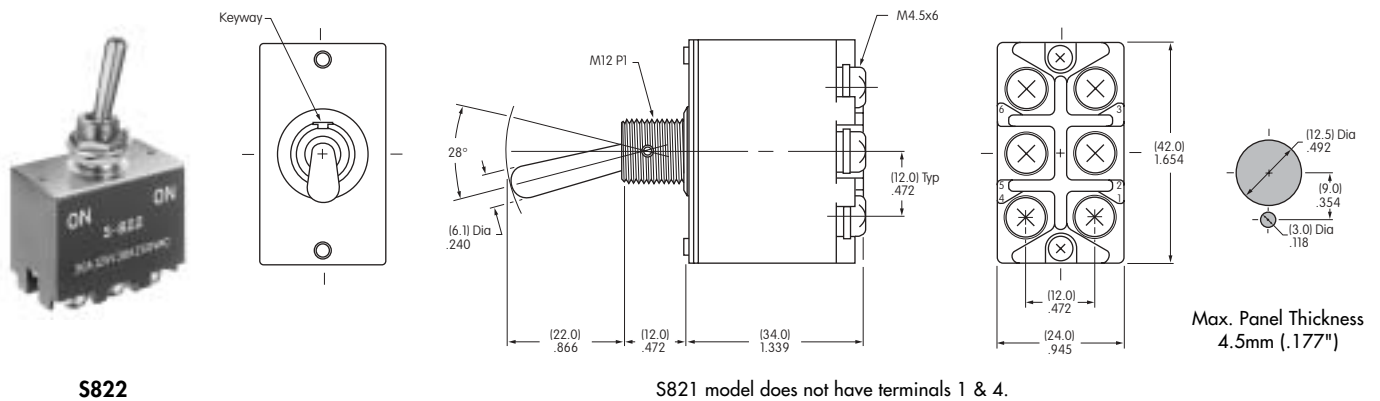
Model	Approvals	Pole & Throw	Toggle Position/Connected Terminals						Electrical Capacity					
			Down 		Center 		Up 		Resistive				Inductive	
			AC 125V	AC 250V	DC 30V	DC 125V	AC 125V PF 0.6	AC 250V PF 0.6						
S821	 	DPST	ON	2-3 5-6	NONE	OFF	—	30A	30A	30A	1A	30A	15A	
S822	 	DPDT	ON	2-3 5-6	NONE	ON	2-1 5-4	30A	30A	30A	1A	30A	15A	
S823	 	DPDT	ON	2-3 5-6	OFF	ON	2-1 5-4	30A	30A	30A	1A	30A	15A	

Throw & Schematics:








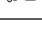
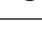
DPST:  DPDT: 

Note: Terminal numbers are on the switch.



• Standard Hardware: AT503 Face Hex Nut, AT506 Locking Ring, AT508 Lockwasher, AT527M Backup Hex Nut.



THREE POLE WITH SCREW LUG

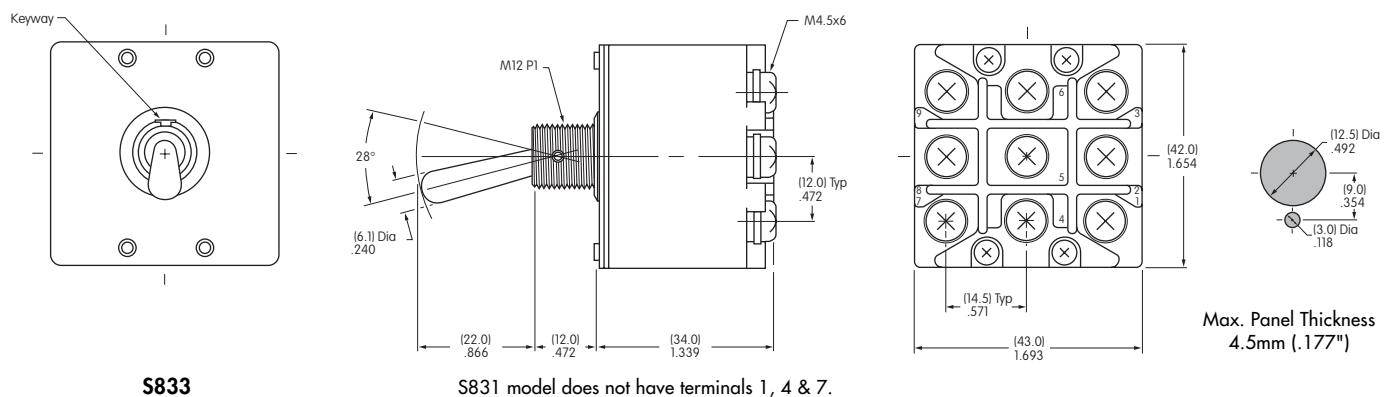
Model	Approvals	Pole & Throw	Toggle Position/Connected Terminals						Electrical Capacity					
			Down 		Center 		Up 		Resistive				Inductive	
			AC 125V	AC 250V	DC 30V	DC 125V	AC 125V PF 0.6	AC 250V PF 0.6						
S831	 	3PST	ON	2-3 5-6 8-9	NONE	OFF	—	30A	30A	30A	1A	30A	15A	
S832	 	3PDT	ON	2-3 5-6 8-9	NONE	ON	2-1 5-4 8-7	30A	30A	30A	1A	30A	15A	
S833	 	3PDT	ON	2-3 5-6 8-9	OFF	ON	2-1 5-4 8-7	30A	30A	30A	1A	30A	15A	

Throw & Schematics:










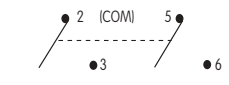
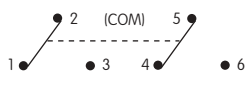






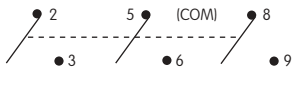
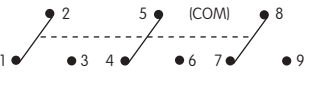
3PST:  3PDT: 

Note: Terminal numbers are on the switch.

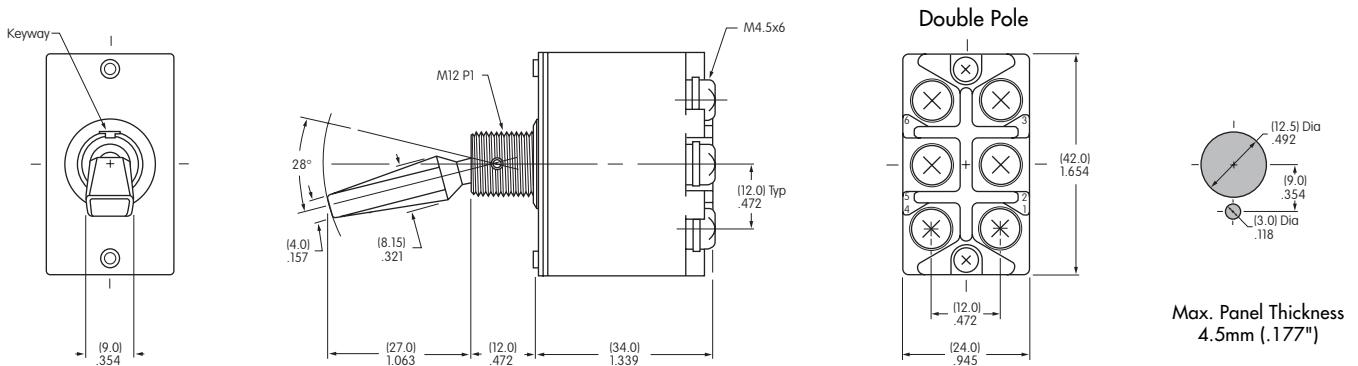
• Standard Hardware: AT503 Face Hex Nut, AT506 Locking Ring, AT508 Lockwasher, AT527M Backup Hex Nut.



DOUBLE & THREE POLE WITH SCREW LUG & FLATTED LEVER

			Toggle Position/Connected Terminals				Electrical Capacity								
Model	Pole & Throw	Approvals	Down 	Center 	Up 	Resistive				Inductive L/R = 3ms					
			DC 30V	DC 48V	DC 125V	DC 250V	DC 24V	DC 48V	DC 125V	DC 250V					
S821D	DPST	 	ON	2-3 5-6	NONE	OFF	—	30A	30A	15A	7.5A	15A	10A	6A	3A
S822D	DPDT	 	ON	2-3 5-6	NONE	ON	2-1 5-4	30A	30A	15A	7.5A	15A	10A	6A	3A
S823D	DPDT	 	ON	2-3 5-6	OFF	ON	2-1 5-4	30A	30A	15A	7.5A	15A	10A	6A	3A
Throw & Schematics			DPST 		DPDT 		Note: Terminal numbers are on the switch.								
S831D	3PST	 	ON	2-3 5-6 8-9	NONE	OFF	—	30A	30A	15A	7.5A	15A	10A	6A	3A
S832D	3PDT	 	ON	2-3 5-6 8-9	NONE	ON	2-1 5-4 8-7	30A	30A	15A	7.5A	15A	10A	6A	3A
S833D	3PDT	 	ON	2-3 5-6 8-9	OFF	ON	2-1 5-4 8-7	30A	30A	15A	7.5A	15A	10A	6A	3A
Throw & Schematics			3PST 		3PDT 		Note: Terminal numbers are on the switch.								

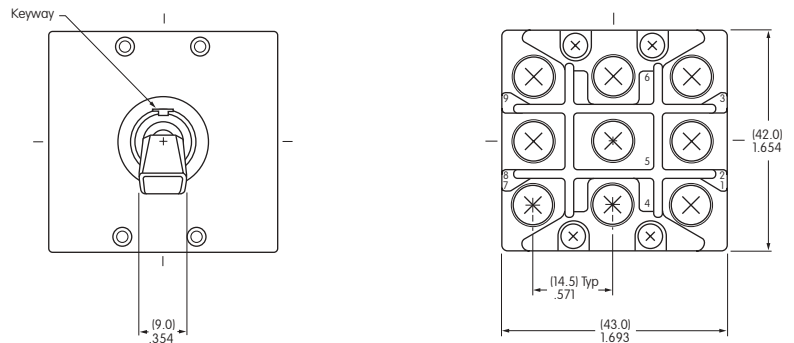
• Standard Hardware: AT503 Face Hex Nut, AT506 Locking Ring, AT508 Lockwasher, AT527M Backup Hex Nut.



S821D model does not have terminals 1 & 4.







S832D



S831D model does not have terminals 1, 4, & 7.

Positive (+) must be connected to end terminals & negative to common terminals.

DOUBLE POLE WITH SCREW LUG

Model	Approvals	Pole & Throw	Toggle Position/Connected Terminals				Electrical Capacity				
			Down 	Center 	Up 	Resistive		Inductive			
						AC 125V	AC 250V	DC 30V	AC 125V PF 0.6		
S732	— —	DPDT	ON	2-3 5-6	NONE	ON	2-1 5-4	50A	30A	50A	25A
Throw & Schematics: DPDT 								Note: Terminal numbers are on the switch.			

• Standard Hardware: AT503 Hex Face Nut, AT506 Locking Ring, AT508 Lockwasher, AT527M Backup Hex Nut.

