

SIM Card Datasheet

NimbeLink Corp

Updated: May 2019



© NimbeLink Corp. 2019. All rights reserved.

NimbeLink Corp. provides this documentation in support of its products for the internal use of its current and prospective customers. The publication of this document does not create any other right or license in any party to use any content contained in or referred to in this document and any modification or redistribution of this document is not permitted.

While efforts are made to ensure accuracy, typographical and other errors may exist in this document. NimbeLink reserves the right to modify or discontinue its products and to modify this and any other product documentation at any time.

All NimbeLink products are sold subject to its published Terms and Conditions, subject to any separate terms agreed with its customers. No warranty of any type is extended by publication of this documentation, including, but not limited to, implied warranties of merchantability, fitness for a particular purpose and non-infringement.

NimbeLink and Skywire are registered trademarks of NimbeLink Corp. All trademarks, service marks and similar designations referenced in this document are the property of their respective owners.

Table of Contents

Table of Contents	2
Introduction	3
Orderable Part Numbers	3
Product Overview	3
Compatible Products	3
Mechanical Drawings	4
Technical Specifications	5
Specifications	5
Product Images	6
NL-SIM-ATT-CTRI	6
NL-SIM-TMO-CTRI	6

1. Introduction

1.1 Orderable Part Numbers

Orderable Device	Operating Temperature	Description	Network Type
NL-SIM-ATT-CTRI	-25° C to +85° C	AT&T Sim Card, Tri-cut (2FF/3FF/4FF), Commercial Temperature Range	AT&T
NL-SIM-TMO-CTRI	-25° C to +85° C	T-Mobile Sim Card, Tri-cut (2FF/3FF/4FF), Commercial Temperature Range	T-Mobile

1.2 Product Overview

4G LTE connected devices require a SIM card in order to connect to the network. The NL-SIM-ATT-CTRI, and NL-SIM-TMO-CTRI from NimbeLink are AT&T and T-Mobile approved SIM cards for use with Nimbelink's cellular data plans available at <https://go.nimbelink.com>.

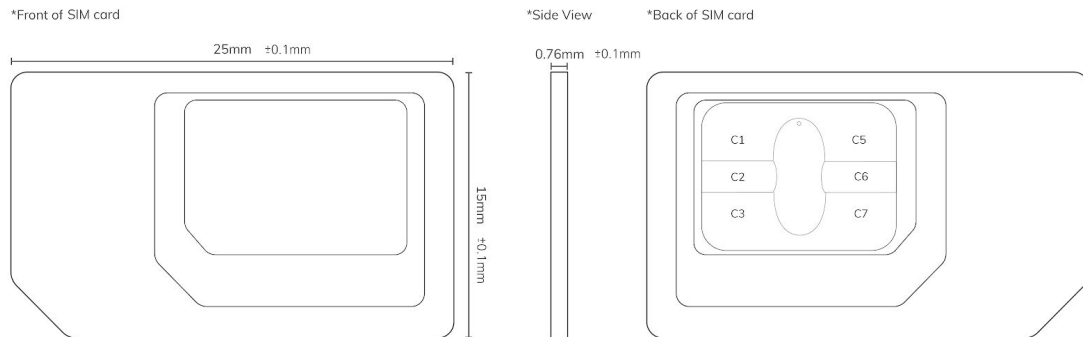
1.3 Compatible Products

The SIMs from NimbeLink are compatible with all machine to machine devices designed to work on the respective networks, including non-NimbeLink modems.

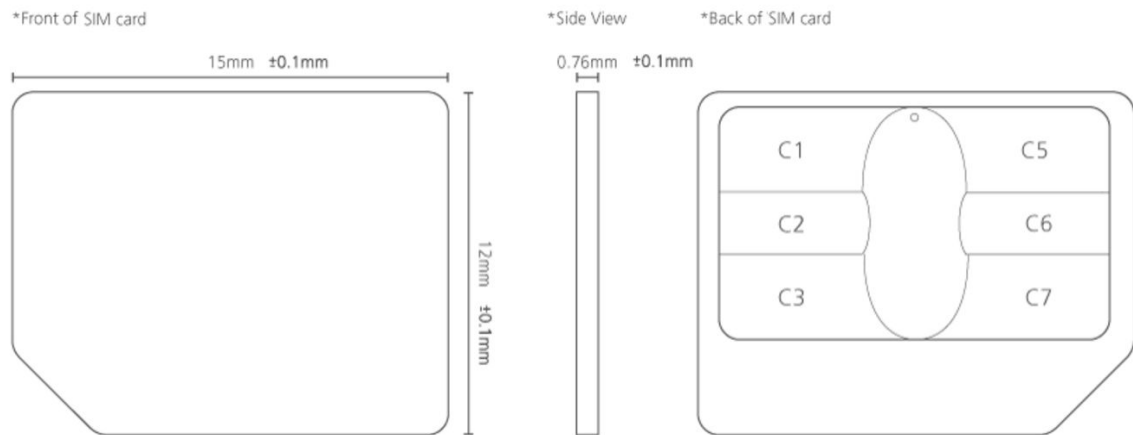
1.4 Mechanical Drawings

The SIM cards are tri-cut SIMs supporting 2FF, 3FF, or 4FF sockets.

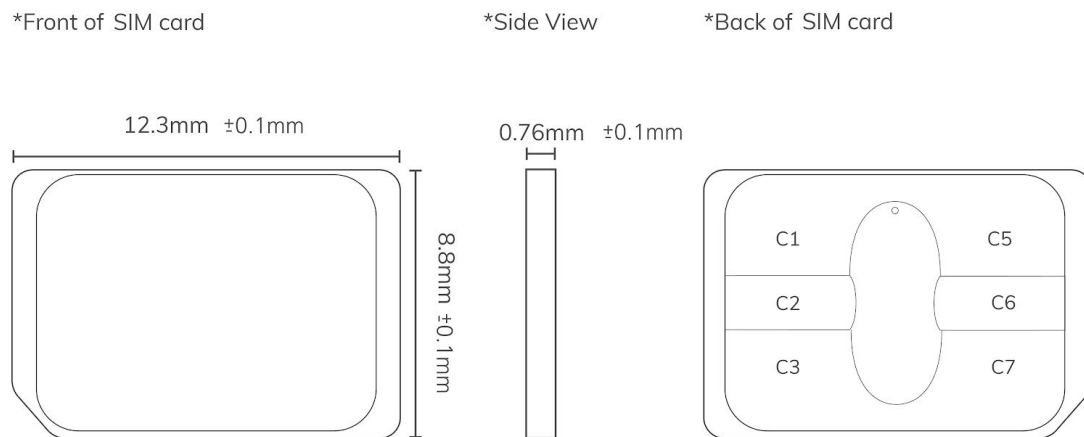
1.4.1 2FF



1.4.2 3FF



1.4.3 4FF



2. Technical Specifications

2.1 Specifications

Description		Value	Units
Supply voltage		1.8/3/5	Volts
Insertions		20	Insertions
Dimensions	2FF	15 x 25 x 0.76	mm
	3FF	12 x 15 x 0.76	mm
	4FF	8.8 x 12.3 x 0.76	mm
Weight		<1	Grams

3. Product Images

3.1 NL-SIM-ATT-CTRI



3.2 NL-SIM-TMO-CTRI

