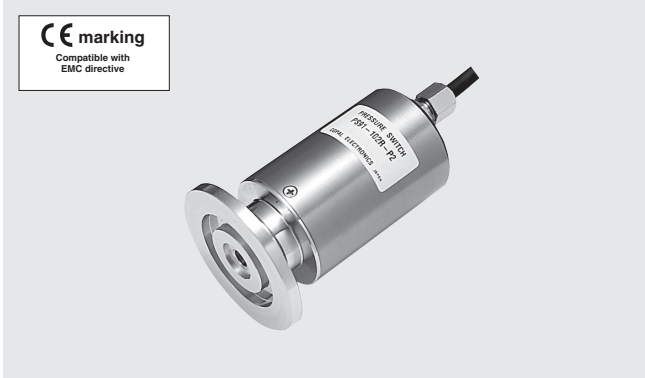


PRESSURE SWITCHES

PS91



FEATURES

- Can be used in High vacuum
- Selection of Quick-release coupling (ISO standard) and Gasket joint
- Switch setting adjustable by 2 VRs on the back

INTERNAL STRUCTURE (KF25 (NW25))

Part name		Material
①	Fitting	SUS316L
②	Housing	Aluminum
③	Sensor module	SUS316L

MODEL NUMBER DESIGNATION

PS91 - 102V - N2K2

Series name	PS91	N2K2	
Rated pressure range 102V : -100 ~ 10 kPa	102V		Fitting K2 : Flange joint KF25 (NW25) VC : Gasket joint (9/16-18UNF)
Pressure reference N1 : NPN (Upper and upper limit mode) N2 : NPN (Upper and lower limit mode) P1 : PNP (Upper and upper limit mode) P2 : PNP (Upper and lower limit mode)	N2		

LIST OF MODEL NUMBERS

Rated pressure range	Switch output interface	Gauge	
		K2 : Flange joint KF25 (NW25)	VC : Gasket joint (9/16-18UNF)
102V	NPN (Upper and upper limit mode)	PS91-102V-N1K2	PS91-102V-N1VC
	NPN (Upper and lower limit mode)	PS91-102V-N2K2	PS91-102V-N2VC
	PNP (Upper and upper limit mode)	PS91-102V-P1K2	PS91-102V-P1VC
	PNP (Upper and lower limit mode)	PS91-102V-P2K2	PS91-102V-P2VC

STANDARD SPECIFICATIONS

Item		Model number	PS91	
			102V	
General specifications	Pressure reference		Gauge	
	Rated pressure range	kPa	- 100 ~ 10	
	Maximum pressure	kPa	200	
	Break-down pressure	kPa	300	
	Operating temp. range	°C	- 20 ~ 80	
	Compensated temp. range	°C	0 ~ 50	
	Pressure medium		Corrosive gases/liquids compatible with SUS 316L	
	Pressure port		K2 (Flange joint : KF25) 、 VC (9/16-18UNF)	
	Net weight	g	Approx. 140	
Power	Supply voltage	V DC	12 ~ 24 ± 10 %	
	Consumption current	maximum	15	
Switch output	No. of outputs		2 (NPN / PNP open collector)	
	Setting method		Adjustable by VR	
	Adjustable range		0 ~ 100 %	
	Output mode		Upper and upper limit mode / Upper and lower limit mode	
	Accuracy	0 ~ 50 °C (Reference temp.: 25 °C)	%F.S.	± 3
	Hysteresis		%F.S. maximum	2
	Response		ms	Approx. 2

ENVIRONMENTAL CHARACTERISTICS

Test item	Test conditions (At 25 ± 5 °C)	Permissible change
Vibration	10 ~ 500 Hz, 1.5 mm maximum/98.1 m/s ² , 3 directions for 2 hours each	※ 1 Switch operating pressure : ± 2 %F.S. maximum
Shock	490 m/s ² , 3 directions for 3 times each	
Pressure cycling	0 ~ Rated pressure, 10 ⁶ cycles	
Moisture resistance	40 °C, 90 ~ 95 %RH, 240 hrs.	
EMC	EMI : EN55011: 2007, A2 : 2007 Group 1, class B EMS : EN61326-1 : 2006 Table 2	※ 2 Switch operating pressure: ± 5 %F.S. maximum

※ 1 Working pressure of switch output is variation ± 2 %F.S. before or after test.

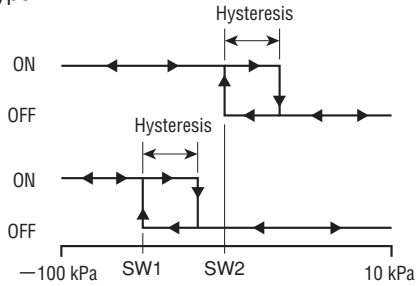
※ 2 Working pressure of switch output is variation ± 5 %F.S. during EMC test.

PS91

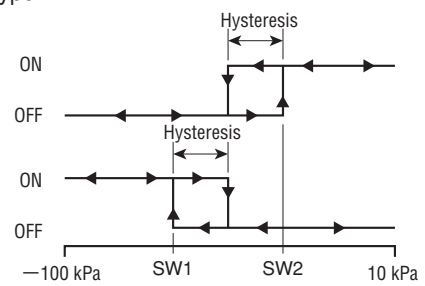
PRESSURE SWITCHES

SWITCH OUTPUT SCHEMATICS

● N1/P1 type

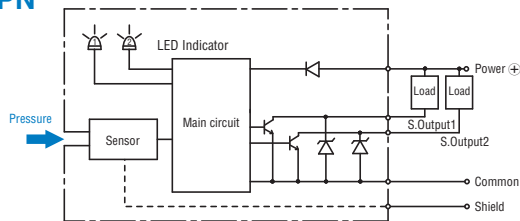


● N2/P2 type

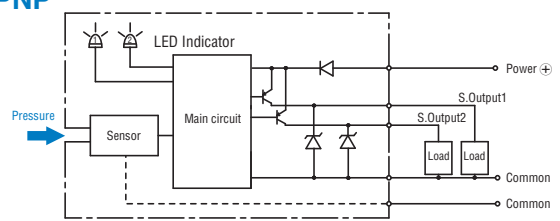


INTERNAL ELECTRICAL SCHEMATICS

● NPN



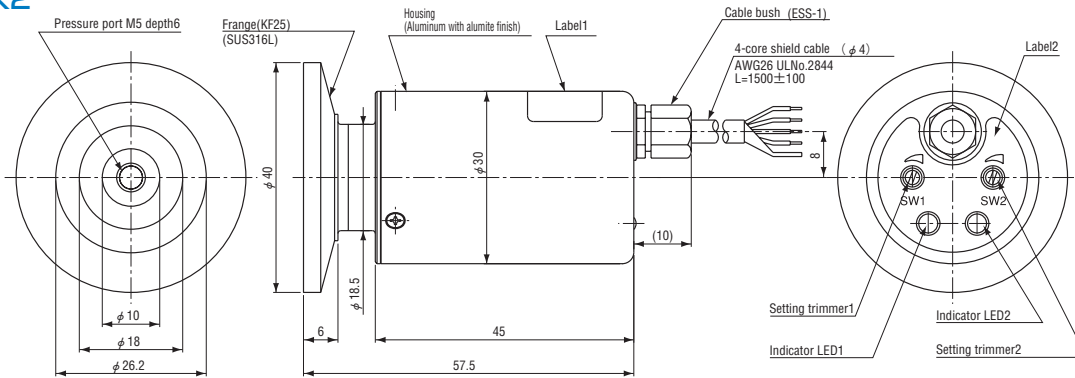
● PNP



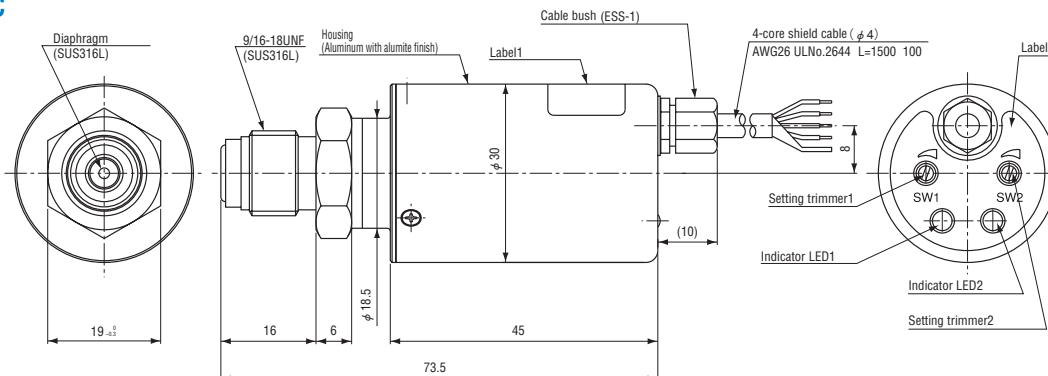
OUTLINE DIMENSIONS

Unless otherwise specified, tolerance : ± 0.5 (Unit: mm)

● K2



● VC



Wire color	Connection
Red	Power
Green	Switch output 1
White	Switch output 2
Black	Common
Shield	Fitting