

PRESSURE SWITCHES WITH GAUGE

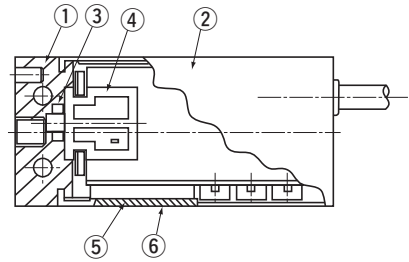
PS6



FEATURES

- Solidstate pressure switch with no mechanical moving parts
- 2 types of pressure ports are available
- Open collector output of either NPN or PNP is available
- Analog output type available

INTERNAL STRUCTURE (M5 female screw)



Part name	Material
① Pressure port	POM (Polyoxymethylene)
② Housing	PC (Polycarbonate)
③ “O” ring	Fluoro-rubber
④ Sensor module board	—
⑤ Protection panel	PET (Polyethyleneterephthalate)
⑥ Main panel	

MODEL NUMBER DESIGNATION

PS6 - 102V - NAR

Series name

Rated pressure range

102 : 100 kPa
103 : 1000 kPa

Pressure reference

G : Gauge
V : Gauge (Vacuum)

Pressure port

R : R1/8 male screw with M5 female screw
M : M5 female screw

Output

A : 1 SW output and adjustable hysteresis + Analog output
W : 2 SW outputs

Switch output interface

N : NPN open collector
P : PNP open collector

LIST OF MODEL NUMBERS

Pressure port	Outputs	Switch output	102V	102G	103G
			0 ~ -100 kPa	0 ~ 100 kPa	0 ~ 1000 kPa
R 1/8 male screw	Adjustable hysteresis switch output + Analog output	NPN open collector output	PS6-102V-NAR	PS6-102G-NAR	PS6-103G-NAR
		PNP open collector output	PS6-102V-PAR	PS6-102G-PAR	PS6-103G-PAR
	Switch outputs (2 points)	NPN open collector output	PS6-102V-NWR	PS6-102G-NWR	PS6-103G-NWR
		PNP open collector output	PS6-102V-PWR	PS6-102G-PWR	PS6-103G-PWR
M 5 female screw	Adjustable hysteresis switch output + Analog output	NPN open collector output	PS6-102V-NAM	PS6-102G-NAM	PS6-103G-NAM
		PNP open collector output	PS6-102V-PAM	PS6-102G-PAM	PS6-103G-PAM
	Switch outputs (2 points)	NPN open collector output	PS6-102V-NWM	PS6-102G-NWM	PS6-103G-NWM
		PNP open collector output	PS6-102V-PWM	PS6-102G-PWM	PS6-103G-PWM

※ Verify the above model numbers when placing orders.

PS6

PRESSURE SWITCHES WITH GAUGE

STANDARD SPECIFICATIONS

● Unless otherwise specified, the specs are defined at an ambient temperature of 25 ± 5 °C and excitation voltage of 12 V DC.

Item	Model number	PS6			
		102V	102G	103G	
General specifications	Pressure reference	Gauge			
	Rated pressure range	kPa	0 ~ -100	0 ~ 100	0 ~ 1000
	Maximum pressure	kPa	200	200	1500
	Break-down pressure	kPa	500	500	2000
	Operating temp. range	°C	-10 ~ 60		
	Compensated temp. range	°C	0 ~ 50		
	Operating humidity	%RH	35 ~ 85 (No condensation)		
	Storage temp.	°C	-20 ~ 70 (Atmospheric pressure, humidity 65 %RH maximum)		
	Pressure medium		Non-corrosive gases		
	Insulation resistance	MΩ min.	100 (500 V DC)		
	Dielectric strength		500 V AC, 60 s (Leakage current 1 mA maximum)		
	Pressure port		R 1/8 (Female screw) or M5		
	Net weight	g	Approx. 50 (Including cable)		
Power	Supply voltage	V DC	12 ~ 24 V \pm 10 % (Including ripple percentage)		
	Consumption current	mA max.	35		
Display	Display element		2-digit LED		
	Rated display range		-0 ~ -99 kPa	0 ~ 99 kPa	.0 ~ .99 MPa
	Display accuracy 0 ~ 50°C (Reference temp. 25 °C)		\pm 3 %F.S. \pm 2counts		
	Resolution		1 count		
Switch output	No. of outputs		1 or 2		
	Output interface		(NPN/PNP) Open collector output (NPN or PNP)		
	Setting method		Adjustable by VR		※ 1
	Adjustable range		0 ~ 100 of rated pressure		※ 2
	Display		Red LED ON (W type only : SW1 Red, SW2 Green)		
	Accuracy 0 ~ 50°C (Reference temp. 25 °C)	%F.S.	\pm 3		
	Switch hysteresis		Approx. 0 ~ 15 % of the set value (W type only 2 % F.S. maximum)		
	Switching capacity		30 V 80 mA maximum		
	Residual voltage	V maximum	0.8 (NPN), 1.2 (PNP)		
Response	ms	Approx. 2			
Analog output	Output voltage	V	1 ~ 5		
	Zero voltage	V	1 \pm 0.1		
	Span voltage	V	4 \pm 0.1		
	Output current	mA maximum	1 (Load resistance 5 kΩ minimum)		

※ 1 : Please set adjusting torque at 30 mN·m maximum.

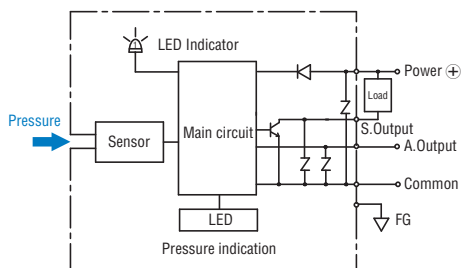
※ 2 : The actual setting range adjustable by VR has a little overrunning margin beyond the rated display of 0 through 99. This could cause the setting value of VR may be under "0" or over "99".

ENVIRONMENTAL CHARACTERISTICS

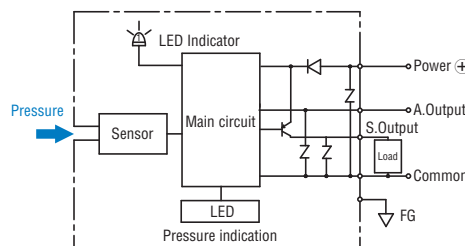
Test item	Test conditions	Permissible change
Vibration	10 ~ 500 Hz, 1.5 mm maximum/98.1 m/s ² , 3 directions for 2 hours each	Pressure indication, switch operating pressure and analog output variation : ± 2 %F.S., maximum each after test
Shock	196 m/s ² , 3 directions for 3 times each	
Moisture resistance	40 °C, 90 ~ 95 %RH, 240 hrs.	
Pressure cycling	0 ~ Rated pressure, 10 ⁶ cycles	
EMC	EMI : EN55011: 2007, A2 : 2007 Group 1, class B EMS : EN61326-1 : 2006 Table 2	Pressure indication, switch operating pressure and analog output variation : ± 5 %F.S., maximum during test

CIRCUIT DIAGRAMS

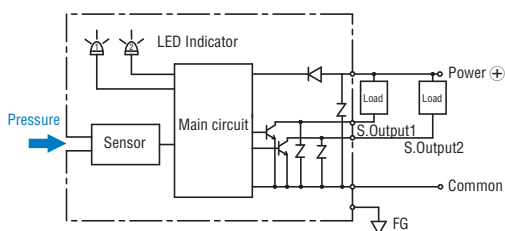
NAM, NAR (NPN/Adjustable hysteresis switch)



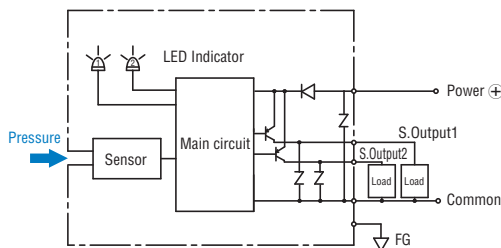
PAM, PAR (PNP/Adjustable hysteresis switch)



NWM, NWR (NPN/2 switch outputs)



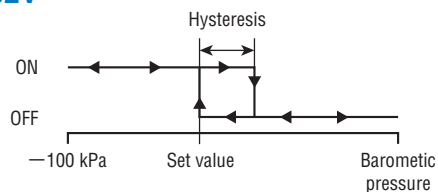
PWM, PWR (PNP/2 switch outputs)



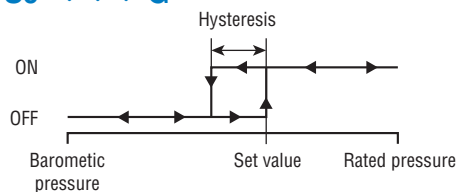
SWITCHING OPERATION

The switch turns on at the set pressure and turns off at the set pressure minus the hysteresis.

PS6-102V



PS6- * * * G



※ * A * is adjustable hysteresis type.

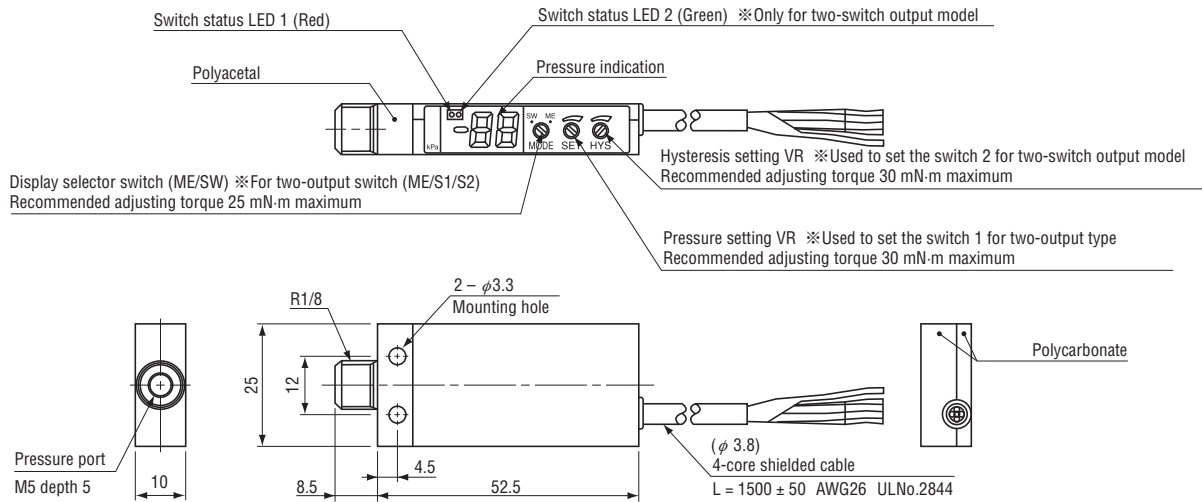
PS6

PRESSURE SWITCHES WITH GAUGE

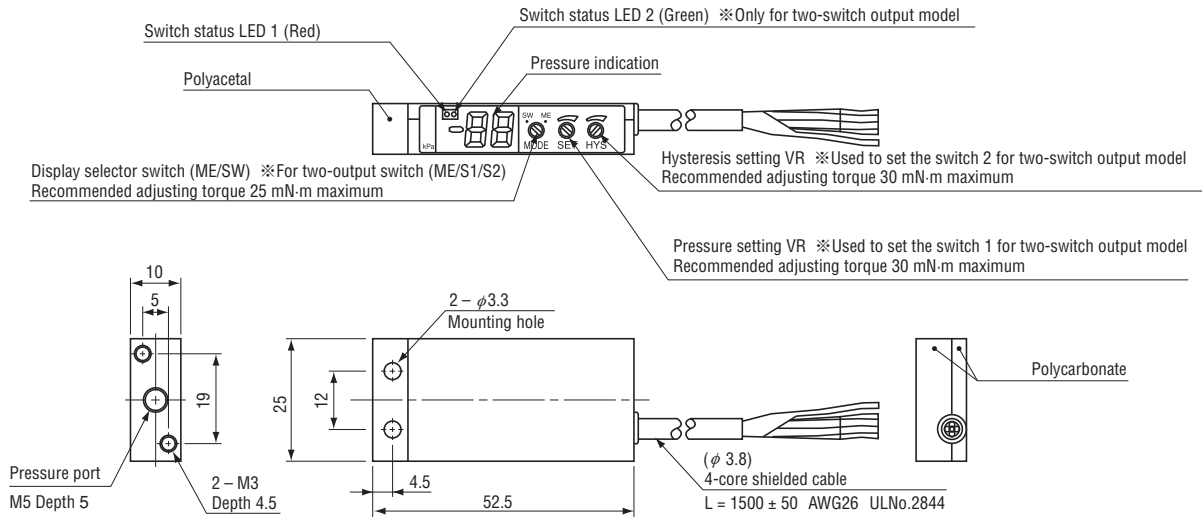
OUTLINE DIMENTIONS

Unless otherwise specified, tolerance : ± 0.5 (Unit: mm)

● (NAR, PAR, NWR, PWR)



● (NAM, PAM, NWM, PWM)



PS6 (NAM, NAR, PAM, PAR)

Wire color	Connection
Brown	Power ⊕
Black	Switch output
White	Analog output
Blue	Common
Shield	N.C.

PS6 (NWM, NWR, PWM, PWR)

Wire color	Connection
Brown	Power ⊕
Black	Switch output 1
White	Switch output 2
Blue	Common
Shield	N.C.