

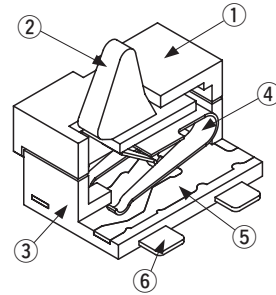
## RoHS compliant



## FEATURES

- High reliability by Gold contact
- RoHS compliant
- Available to detect from Top or side direction
- Automatic mounting possible
- Ultra-compact
- Low profile design of 3.35mm

## INTERNAL STRUCTURE

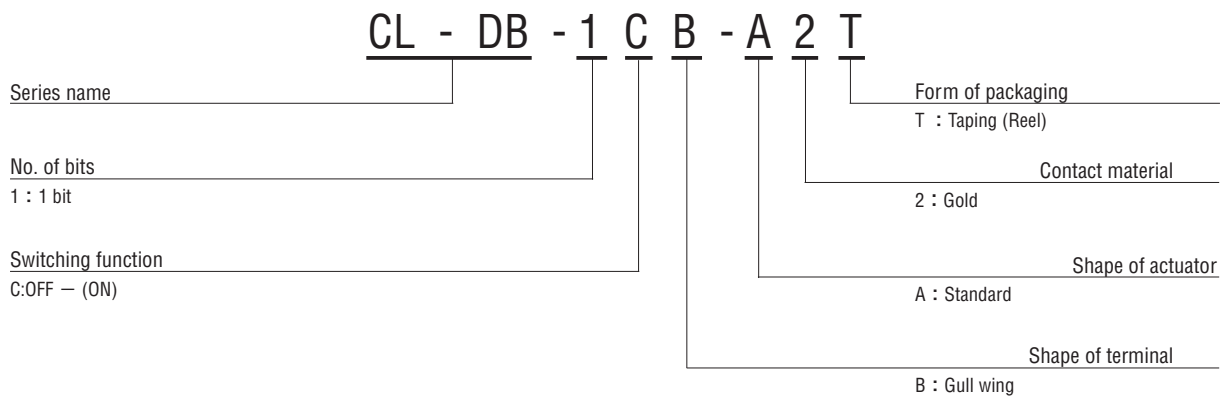


	Part name	Material	Flammability
①	Cover	Polyamide	UL94V-0
②	Lever	Polyamide	UL94V-0
③	Housing	Polyamide	UL94V-0
④	Slider contact	Copper alloy, Gold-plated	—
⑤	Fixed contact	Copper alloy, Gold-plated	—
⑥	Terminal pin	Copper alloy, Gold-plated	—

## APPLICATIONS

- Detection of Communication devices, Audio-visual equipment, Industrial instrument, Security devices, etc.

## PART NUMBER DESIGNATION



# CL-DB

## DETECT SWITCHES

### STANDARD SPECIFICATIONS

Operating temp. range	- 40 ~ 85 °C
Storage temp. range	
Sealing	Non-washable
Net weight	0.02 g

### ELECTRICAL CHARACTERISTICS

Contact rating Switching Minimum	DC5 V, 1 mA DC20 mV, 1 μ A
Contact resistance	300 m Ω maximum
Insulation resistance	100 M Ω (DC100 V) minimum
Dielectric strength	AC 250 V, 60s

### MECHANICAL CHARACTERISTICS

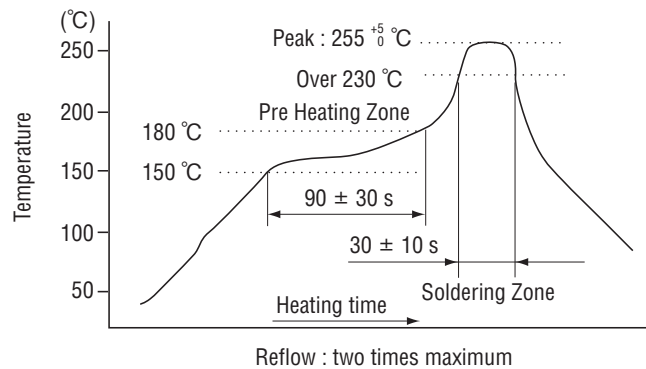
Switching function	OFF — (ON)
Stroke	Pre-travel: 0.30mm Over-travel: 0.75mm total: 1.05mm
Operating force	0.34 N {0.035 kgf}
Stop strength	2 N {0.2 kgf}, 60 s
Solderability	245 ± 3 °C, 2 ~ 3 s
Soldering heat	Reflow : 260 °C (Peak temperature) (Please refer to the profile below)
Shear (Adhesion)	5 N {0.51 kgf} 10 s
Substrate bending	Width 90 mm, bend 3 mm, 5 s, 1 time
Pull-off strength	5 N {0.51 kgf} 10 s

{ } : Reference only

### ENVIRONMENTAL CHARACTERISTICS

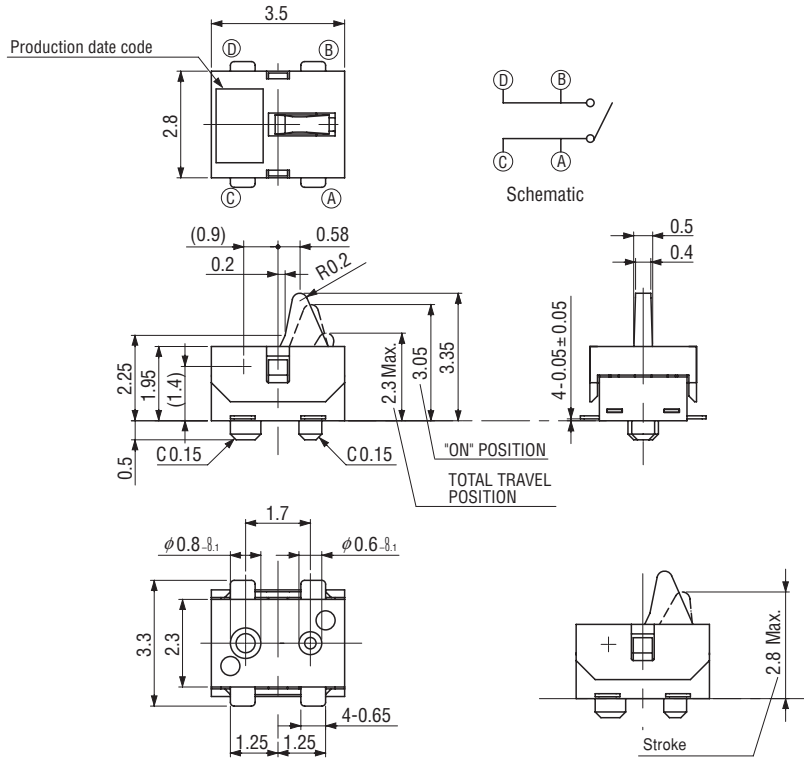
Vibration	(Amplitude) 1.5 mmor (Acceleration) 98 m/s <sup>2</sup> , 10-500 Hz, 3 directions for 10 cycles each
Shock	490 m/s <sup>2</sup> , 11 ms 6 directions for 3 times each
Load life	Continuous load 100,000 cycles DC 5V, 1mA
Humidity	- 10 ~ 65 °C, Relative humidity 0 ~ 96 %, 24 h for 10 cycles
High temp. exposure	85 °C, 96 h
Low temp. exposure	- 40 °C, 96 h
Thermal shock	- 40 (0.5 h) ~ 85 °C (0.5 h), 5 cycles

### <Reflow profile for soldering heat evaluation>



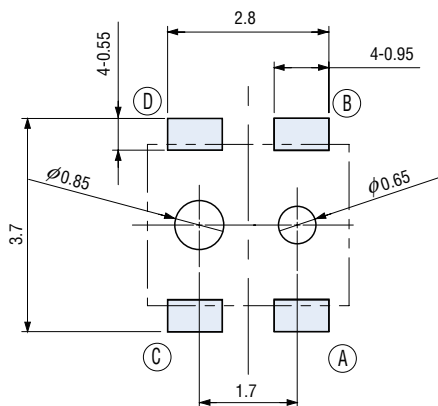
## OUTLINE DIMENSIONS

Unless otherwise specified, tolerance :  $\pm 0.2$  (Unit : mm)



## RECOMMENDED P.C.B. PAD DIMENSIONS

(Unit : mm)



## LIST OF PART NUMBERS / SWITCHING FUNCTION

Part number	CL-DB-1CB-A2T	
Switching function	<p>OFF</p>	<p>ON</p>

# CL-DB DETECT SWITCHES

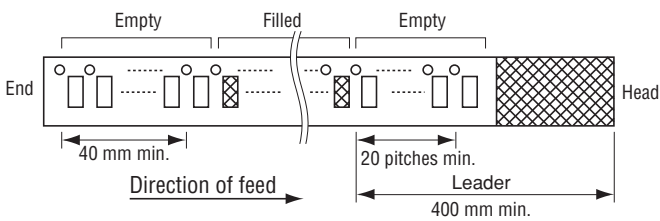
## PACKAGING SPECIFICATIONS

### <Taping packaging specifications>

- Taping version is packaged in 1000 pcs. per reel.  
Orders will be accepted for units of 1000 pcs.

Maximum number of consecutive missing pieces=2  
Leader length and reel dimension are shown in the diagrams below:

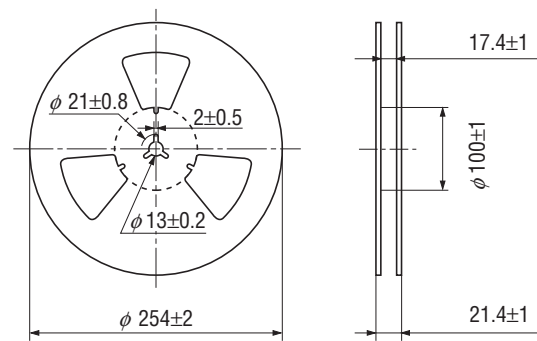
### ● Embossed tape dimensions



### ● Reel dimensions

(Conforms to JIS C 0806-3)  
(In accordance with EIAJ ET-7200A)

(Unit: mm)



### ● 1 bits

(Unit : mm)

