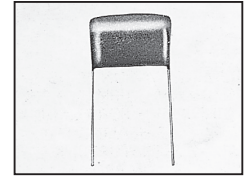


EPOXY COATED, NON-INDUCTIVE, CAPACITORS, RADIAL LEAD

FEATURES

- NON-INDUCTIVE CONSTRUCTION
- EPOXY RESIN COATED FOR EXCELLENT MOISTURE RESISTANCE
- HIGH STABILITY WITH FREQUENCY OVER AN EXTENDED OPERATING LIFE
- HIGH PERFORMANCE AT LOW COST
- LEAD FORMING AND CUT LEADS AVAILABLE
- METALLIZED CONSTRUCTION PROVIDE SELF HEALING CHARACTERISTICS



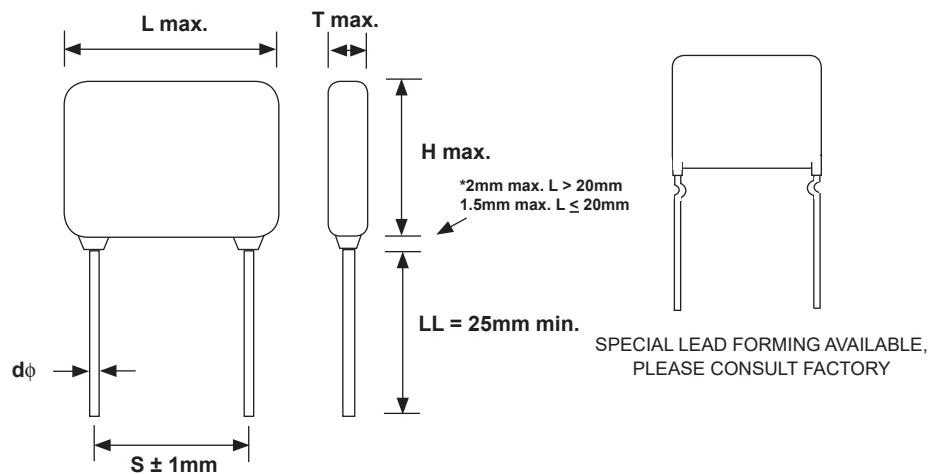
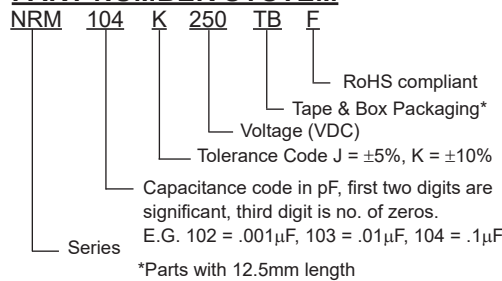
**RoHS
Compliant**
includes all homogeneous materials

SPECIFICATIONS

Operating Temperature	-40°C ~ +105°C
Rated Voltage (VDC)	100V, 250V, 400V, 630V
Capacitance Range	0.01μF ~ 6.8μF
Capacitance Tolerance	±10% (K), ±5% (J)
Insulation Resistance	C < 0.33μF IR ≥ 15,000 Megohm C ≥ .33μF IR ≥ 5,000 Megohm
Dissipation Factor	≤0.01 (at 1KHz)
Dielectric Strength	150% of Rated Voltage for 5 Seconds

*See Part Number System for Details

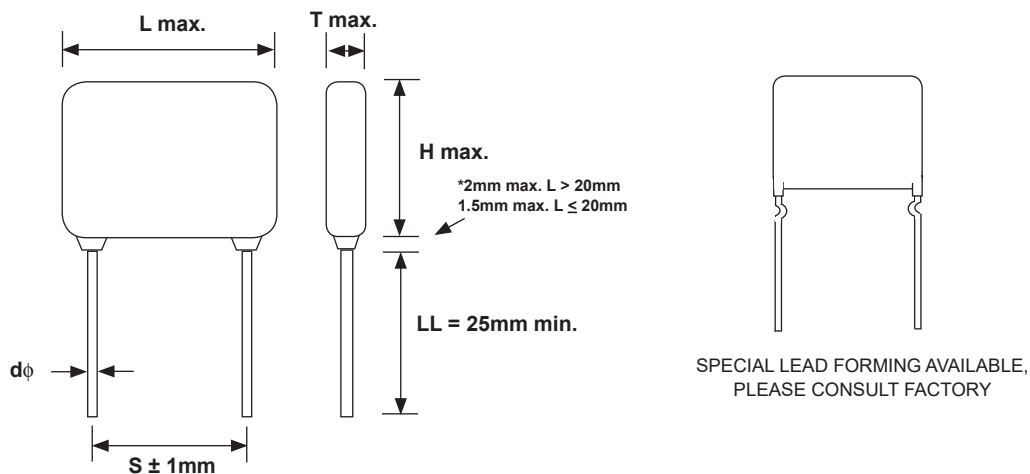
PART NUMBER SYSTEM



STANDARD PRODUCTS AND CASE SIZE TABLE (mm)

Part Number	Cap. (μF)	Voltage Rating	Available Tolerance	Length (L max.)	Thickness (T max.)	Height (H max.)	Lead-space (S)	Lead Diameter (dφ)
NRM333K100F	0.033	100VDC 63VAC	±5% (J), ±10% (K)	12.5	5.0	9.5	10.0	0.6
NRM473K100F	0.047		±5% (J), ±10% (K)	12.5	5.0	9.5	10.0	0.6
NRM683K100F	0.068		±5% (J), ±10% (K)	12.5	5.0	9.5	10.0	0.6
NRM104K100F	0.1		±5% (J), ±10% (K)	12.5	5.0	9.5	10.0	0.6
NRM154K100F	0.15		±5% (J), ±10% (K)	12.5	5.0	10.0	10.0	0.6
NRM224K100F	0.22		±5% (J), ±10% (K)	12.5	5.5	10.0	10.0	0.6
NRM334K100F	0.33		±5% (J), ±10% (K)	12.5	6.5	10.5	10.0	0.6
NRM474K100F	0.47		±5% (J), ±10% (K)	18.0	6.5	11.5	15.0	0.8
NRM684K100F	0.68		±5% (J), ±10% (K)	18.0	6.5	12.0	15.0	0.8
NRM105K100F	1.0		±5% (J), ±10% (K)	18.0	7.5	14.0	15.0	0.8
NRM155K100F	1.5		±5% (J), ±10% (K)	26.0	7.5	14.5	22.5	0.8
NRM225K100F	2.2		±5% (J), ±10% (K)	26.0	9.0	16.0	22.5	0.8
NRM335K100F	3.3		±5% (J), ±10% (K)	26.0	11.0	19.0	22.5	0.8
NRM475K100F	4.7		±5% (J), ±10% (K)	31.0	12.0	23.0	27.5	0.8
NRM685K100F	6.8		±5% (J), ±10% (K)	31.0	14.0	25.0	27.5	0.8
NRM103K250F	0.01	250VDC 160VAC	±5% (J), ±10% (K)	12.5	5.0	9.5	10.0	0.6
NRM153K250F	0.015		±5% (J), ±10% (K)	12.5	5.0	9.5	10.0	0.6
NRM223K250F	0.022		±5% (J), ±10% (K)	12.5	5.0	9.5	10.0	0.6
NRM333K250F	0.033		±5% (J), ±10% (K)	12.5	5.0	9.5	10.0	0.6
NRM473K250F	0.047		±5% (J), ±10% (K)	12.5	5.0	9.5	10.0	0.6
NRM683K250F	0.068		±5% (J), ±10% (K)	12.5	5.0	9.5	10.0	0.6
NRM104K250F	0.1		±5% (J), ±10% (K)	12.5	5.5	10.0	10.0	0.6
NRM154K250F	0.15		±5% (J), ±10% (K)	12.5	6.5	10.5	10.0	0.6
NRM224K250F	0.22		±5% (J), ±10% (K)	18.0	6.5	11.5	15.0	0.8
NRM334K250F	0.33		±5% (J), ±10% (K)	18.0	7.0	12.5	15.0	0.8
NRM474K250F	0.47		±5% (J), ±10% (K)	26.0	7.0	12.5	22.5	0.8
NRM684K250F	0.68		±5% (J), ±10% (K)	26.0	8.0	14.5	22.5	0.8
NRM105K250F	1.0		±5% (J), ±10% (K)	26.0	10.5	17.5	22.5	0.8
NRM155K250F	1.5		±5% (J), ±10% (K)	26.0	10.5	18.0	22.5	0.8
NRM225K250F	2.2		±5% (J), ±10% (K)	31.0	12.5	19.0	27.5	0.8
NRM335K250F	3.3	±5% (J), ±10% (K)	31.0	14.0	23.0	27.5	0.8	
NRM475K250F	4.7	±5% (J), ±10% (K)	31.0	16.5	27.0	27.5	0.8	

SEE NEXT PAGE FOR 400V AND 630V PARTS

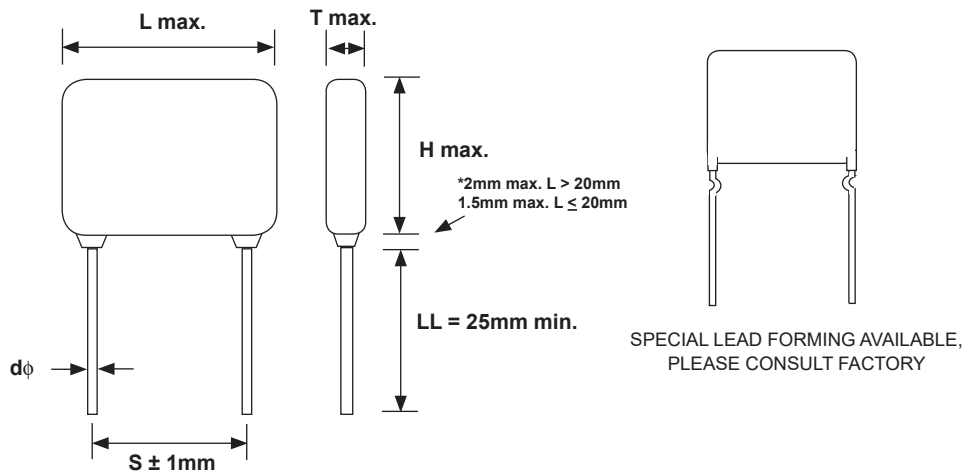


Metallized Polyester Film Capacitors

STANDARD PRODUCTS AND CASE SIZE TABLE (mm)

Part Number	Cap. (μF)	Voltage Rating	Available Tolerance	Length (L max.)	Thickness (T max.)	Height (H max.)	Lead-space (S)	Lead Diameter (dφ)
NRM103K400F	0.01	400VDC 200VAC	±5% (J), ±10% (K)	12.5	5.0	9.5	10.0	0.6
NRM153K400F	0.015		±5% (J), ±10% (K)	12.5	5.0	9.5	10.0	0.6
NRM223K400F	0.022		±5% (J), ±10% (K)	12.5	5.0	9.5	10.0	0.6
NRM333K400F	0.033		±5% (J), ±10% (K)	12.5	5.5	10.5	10.0	0.6
NRM473K400F	0.047		±5% (J), ±10% (K)	12.5	6.0	10.5	10.0	0.6
NRM683K400F	0.068		±5% (J), ±10% (K)	18.0	6.0	10.5	15.0	0.8
NRM104K400F	0.1		±5% (J), ±10% (K)	18.0	6.5	11.5	15.0	0.8
NRM154K400F*	0.15		±5% (J), ±10% (K)	26.0	6.0	12.5	22.5	0.8
NRM224K400F*	0.22		±5% (J), ±10% (K)	26.0	7.0	15.0	22.5	0.8
NRM334K400F	0.33		±5% (J), ±10% (K)	26.0	8.5	15.5	22.5	0.8
NRM474K400F	0.47		±5% (J), ±10% (K)	26.0	9.5	18.0	22.5	0.8
NRM684K400F	0.68		±5% (J), ±10% (K)	26.0	12.0	18.5	22.5	0.8
NRM105K400F	1.0		±5% (J), ±10% (K)	31.0	12.0	20.0	27.5	0.8
NRM155K400F	1.5		±5% (J), ±10% (K)	31.0	13.5	23.5	27.5	0.8
NRM225K400F	2.2		±5% (J), ±10% (K)	31.0	16.5	26.0	27.5	0.8
NRM103K630F	0.01	630VDC 220VAC	±5% (J), ±10% (K)	12.5	5.0	9.5	10.0	0.6
NRM153K630F	0.015		±5% (J), ±10% (K)	12.5	5.0	9.5	10.0	0.6
NRM223K630F	0.022		±5% (J), ±10% (K)	12.5	7.0	10.5	10.0	0.6
NRM333K630F	0.033		±5% (J), ±10% (K)	18.0	6.0	11.0	15.0	0.8
NRM473K630F	0.047		±5% (J), ±10% (K)	18.0	6.5	11.5	15.0	0.8
NRM683K630F	0.068		±5% (J), ±10% (K)	18.0	7.0	13.0	15.0	0.8
NRM104K630F	0.1		±5% (J), ±10% (K)	26.0	7.0	13.0	22.5	0.8
NRM154K630F	0.15		±5% (J), ±10% (K)	26.0	8.5	14.0	22.5	0.8
NRM224K630F	0.22		±5% (J), ±10% (K)	26.0	10.0	16.5	22.5	0.8
NRM334K630F	0.33		±5% (J), ±10% (K)	31.0	10.5	17.5	27.5	0.8
NRM474K630F	0.47		±5% (J), ±10% (K)	31.0	12.0	19.5	27.5	0.8
NRM684K630F	0.68		±5% (J), ±10% (K)	31.0	15.0	22.5	27.5	0.8
NRM105K630F	1.0		±5% (J), ±10% (K)	31.0	19.0	27.0	27.5	0.8

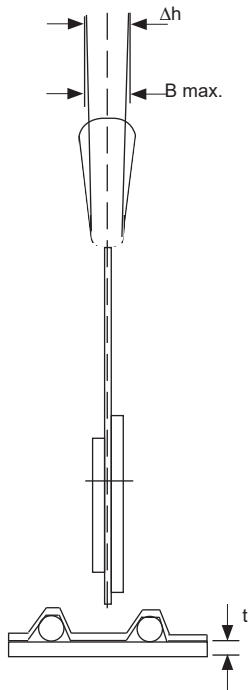
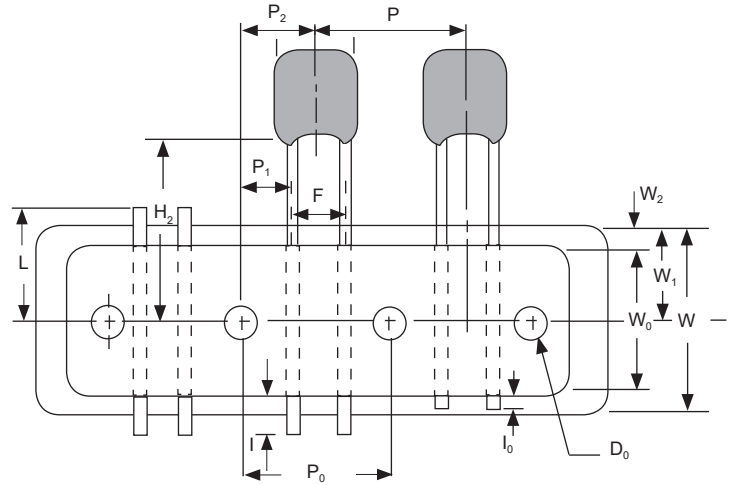
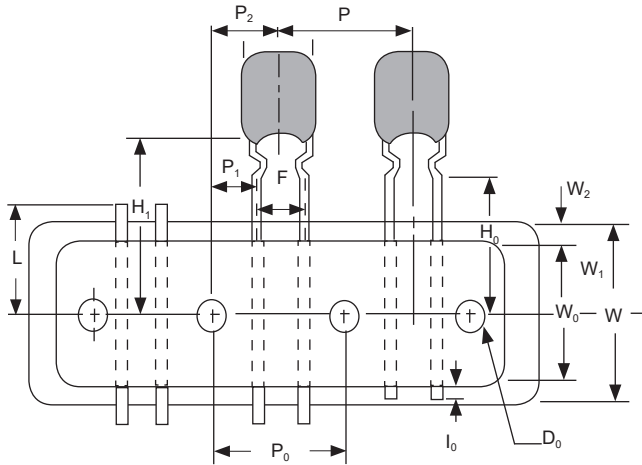
*Also available in an 18.0x8.5x15.0mm case size with 15mm lead-space



TAPE & BOX FOR RADIAL LEAD CAPACITOR
REFER TO EIA STANDARD RS-468

CRIMPED LEAD TAPING (STANDARD)

STRAIGHT LEAD TAPING (SPECIAL) Contact NIC for Availability.*



***NOTE:** STANDARD LEAD SPACING ON TAPED PARTS IS 5MM. SPECIAL 7.5MM, 10MM AND 15MM LEAD SPACING MAY BE AVAILABLE UPON SPECIAL REQUEST.

TO SPECIFIC:

LEAD SPACING	P/N SUFFIX
5MM	TB
7.5MM	TB (7.5MMLS)
10MM	TB (10MMLS)

Dimensions MM (inch)		
P	12.7 ± 1.0	(0.5 ± 0.0394)
P ₀	12.7 ± 0.2	(0.5 ± 0.008)
P ₂	6.35 ± 1.3	(.025 ± 0.051)
P ₁	3.85 ± 0.5	(0.152 ± 0.020)
F*	5.0 ± 0.8	(0.197 ± 0.0315)
Δh	0 ± 2.0	(0 ± 0.0787)
W	18.0 ± 0.5	(0.709 ± 0.020)
W ₁	9.0 ± 0.5	(0.354 ± 0.020)
H ₁	20.0 ± 0.75	(0.787 ± 0.030)
H ₂	18.0 ± 0.5	(0.709 ± 0.020)
H ₀	16.0 ± 0.5	(0.630 ± 0.020)
I	2.0 max.	(0.079 max.)
I ₀	7.0 max.	(0.276 max.)
φD ₀	4.0 ± 0.2	(0.157 ± 0.008)
W ₀	12.5 min.	(0.492 min.)
t	0.7 ± 0.2	(0.028 ± 0.008)
W ₂	3.0 max.	(0.118 max.)
L	11.0 max.	(0.433 max.)

AMMO BOX PACKING TB (TAPE BOX)

BOX DIMENSIONS:

C = 330mm
B = 270mm
A = 50mm

BOX QUANTITIES:

5mm pitch = 1,500pcs/box
7.5mm pitch = 1,800pcs/box
10mm pitch = 1,200pcs/box

