



[www.niccomp.com/pcn](http://www.niccomp.com/pcn) | Technical Support: [tpmg@niccomp.com](mailto:tpmg@niccomp.com)

November 9, 2010  
SUB: NIC Components PCN & EOL Notifications

RE: EOL Notification

Product Type: Radial Leaded Film Capacitors  
NIC Series: NPRM Series

THE FOLLOWING IS NOTICE THAT THE NPRM SERIES IS BEING DISCONTINUED.

Last Time Buy Date: 2/4/2011  
Last Time Ship Date: 5/4/2011

REASON FOR TERMINATION: LOW DEMAND

See table 1 for affected NIC part numbers\*:

For alternatives NIC suggests the use of the **Film Capacitor QuickBUILDER** ([http://www.niccomp.com/products/gb\\_film.asp](http://www.niccomp.com/products/gb_film.asp)) to best find an alternative SMT or other Leaded Film Capacitor.

Discontinued Part Numbers			
NPRM103K100F	NPRM103K250F	NPRM103K400F	NPRM103K630F
NPRM153K100F	NPRM153K250F	NPRM153K400F	NPRM153K630F
NPRM223K100F	NPRM223K250F	NPRM223K400F	NPRM223K630F
NPRM333K100F	NPRM333K250F	NPRM333K400F	NPRM333K630F
NPRM473K100F	NPRM473K250F	NPRM473K400F	NPRM473K630F
NPRM683K100F	NPRM683K250F	NPRM683K400F	NPRM683K630F
NPRM104K100F	NPRM104K250F	NPRM104K400F	NPRM104K630F
NPRM154K100F	NPRM154K250F	NPRM154K400F	NPRM154K630F
NPRM224K100F	NPRM224K250F	NPRM224K400F	NPRM224K630F
NPRM334K100F	NPRM334K250F	NPRM334K400F	NPRM334K630F
NPRM474K100F	NPRM474K250F	NPRM474K400F	NPRM474K630F
NPRM684K100F	NPRM684K250F	NPRM684K400F	NPRM684K630F
NPRM105K100F	NPRM105K250F	NPRM105K400F	-
NPRM155K100F	NPRM155K250F	NPRM155K400F	-
NPRM225K100F	NPRM225K250F	-	-
NPRM335K100F	NPRM335K250F	-	-
NPRM475K100F	NPRM475K250F	-	-
NPRM685K100F	NPRM685K250F	-	-
NPRM106K100F	NPRM106K250F	-	-

\*Note: EOL includes all optional tolerance and packaging styles.

Follow NIC PCN alerts to get email notifications of EOL and PCN announcements at [www.niccomp.com/pcn](http://www.niccomp.com/pcn)

# Metalized Polypropylene Film Capacitors

NPRM Series

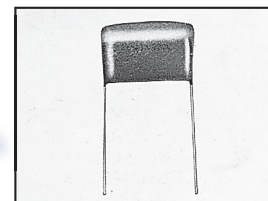
EPOXY COATED, NON-INDUCTIVE, METALLIZED POLYPROPYLENE FILM CAPACITORS, RADIAL LEAD

**RoHS  
Compliant**

includes all homogeneous materials

## FEATURES

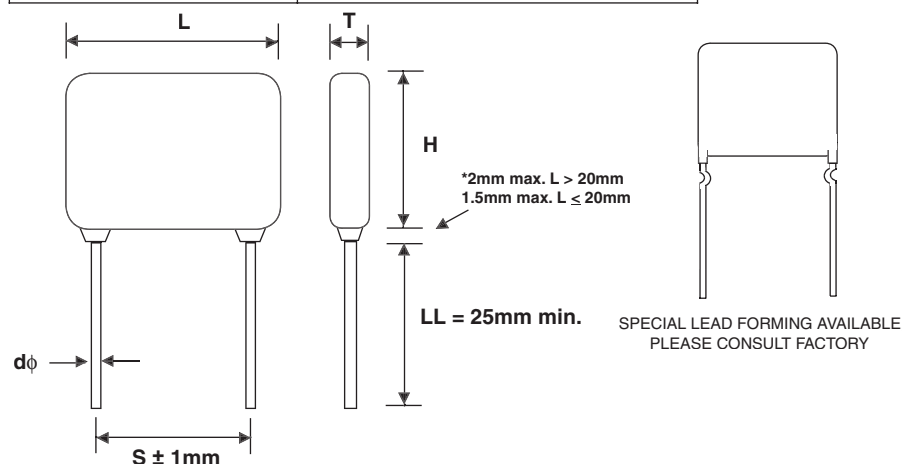
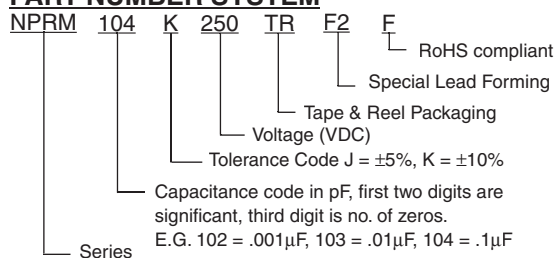
- HIGH RELIABILITY AND SELF-HEALING PERFORMANCE
  - LOW DISSIPATION FACTOR
  - RECOMMENDED FOR HIGH FREQUENCY COUPLING AND DECOUPLING CIRCUITS (E.G. S-CURVE COMPENSATING CIRCUIT)
- \*See Part Number System for Details



## SPECIFICATIONS

Operating Temperature	-40°C to +85°C
Rated Voltage (VDC)	100V, 250V, 400V 630V
Capacitance Range	0.01 to 10μF
Capacitance Tolerance	±5% (J), ±10% (K)
Insulation Resistance(Min.)	C<0.33μF IR≥30,000 Megohm C≥0.33μF IR≥10,000 Megohm/μF
Dissipation Factor	≤0.002 (at 1 KHZ) (Typical 0.001) ≤0.002 (at 10 KHZ) For 0.01 < C ≤ 0.1μF ≤0.003(at 10 KHZ) For 0.1 < C ≤ 1.0μF
Dielectric Strength	150% of Rated Voltage for 5 Seconds

## PART NUMBER SYSTEM



## LEAD SPACING AND DIAMETER(mm)

	L	13.0	18.0	26.0	31.0
S	10.0	15.0	22.5	27.5	
dφ	0.6	0.8	0.8	0.8	

## STANDARD PRODUCTS AND CASE SIZE TABLE (mm)

Cap(μF)	Working Voltage											
	100VDC/63VAC			250VDC/220VAC			400VDC/250VAC			630VDC/300VAC		
	L	T	H	L	T	H	L	T	H	L	T	H
0.01	10.0	5.5	9.0	13.0	5.0	9.0	13.0	5.0	9.0	13.0	6.5	11.5
0.015	10.0	5.5	9.0	13.0	6.0	9.5	13.0	6.0	9.5	13.0	7.5	12.0
0.022	10.0	6.0	9.5	13.0	5.0	9.0	13.0	5.5	10.5	13.0	9.0	13.5
0.033	10.0	6.0	9.5	13.0	5.5	9.0	13.0	7.0	11.0	18.0	8.0	14.0
0.047	13.0	6.0	10.5	13.0	6.0	10.0	13.0	7.5	12.5	18.0	8.5	13.5
0.068	13.0	6.5	11.0	13.0	6.0	11.0	18.0	6.5	12.5	18.0	9.5	15.5
0.1	13.0	6.5	11.0	13.0	7.0	11.0	18.0	7.5	13.5	26.0	8.5	15.5
0.15	13.0	7.0	11.0	18.0	7.0	12.0	26.0	7.5	14.5	26.0	9.5	17.5
0.22	18.0	6.5	12.0	18.0	7.5	12.5	26.0	8.5	15.5	31.0	10.0	17.0
0.33	18.0	7.5	14.0	18.0	8.5	14.0	26.0	10.0	17.5	31.0	13.0	21.5
0.47	18.0	8.5	15.0	26.0	8.5	15.0	31.0	10.0	18.0	31.0	15.5	24.5
0.68	26.0	9.0	16.0	26.0	9.5	17.0	31.0	12.5	21.5	31.0	17.5	27.0
1.0	26.0	11.0	17.5	26.0	12.0	20.5	31.0	15.0	24.0			
1.5	26.0	13.0	19.0	31.0	13.0	20.5	31.0	17.5	26.5			
2.2	31.0	13.0	20.0	31.0	15.0	24.5						
3.3	31.0	15.0	21.5	31.0	17.0	26.0						
4.7	31.0	17.0	23.0	31.0	19.0	28.0						
6.8	31.0	21.0	25.0	42.0	19.0	33.0						
8.2	31.0	23.0	26.0	42.0	21.0	36.0						
10.0	31.0	24.0	28.0	42.0	22.0	38.0						

