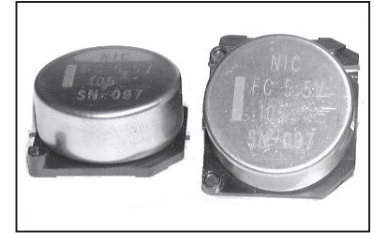


FEATURES

- DOUBLE LAYER CONSTRUCTION
- POWER BACK-UP FOR CMOS DEVICES
- SURFACE MOUNTABLE V-CHIP STYLE
- LEAD-FREE FINISH

RoHS Compliant
High Temperature Reflow
+260°C



CHARACTERISTICS

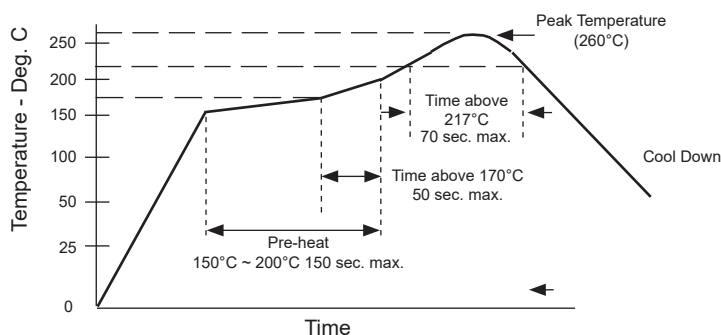
Rated Voltage Range	3.5 & 5.5VDC	
Rated Capacitance Range	0.047F ~ 0.47F (47,000µF ~ 470,000µF)	
Operating Temp. Range	-40°C ~ +85°C	
Capacitance Tolerance	+80%/-20% (Z)	
Load Life Test +85°C 240 hours	Δ Capacitance Change	Within ±30% of initial measured value
	Maximum ESR	Less than 200% of the specified maximum value
	Current at 30 minutes	Less than 200% of the specified maximum value
Temperature Cycling (5 cycles, -25 ~ +70°C)	Δ Capacitance Change	Within +80%/-20% of specified value
	Maximum ESR	Less than specified maximum value
	Current at 30 minutes	Less than specified maximum value
Humidity Resistance (240 hours @ 40°C/90% RH)	Δ Capacitance Change	Within ±20% of initial measured value
	Maximum ESR	Less than 120% of the specified maximum value
	Current at 30 minutes	Less than 120% of the specified maximum value

Super Capacitor
Application Guide

STANDARD VALUES AND SPECIFICATIONS

NIC P/N	Capacitance Value (F) Discharge	Working Voltage (VDC)	Max. Current @ 30 minutes (mA)	Max. ESR @ 1KHz (Ω)
NEXCW104Z3.5V10.7X5.5TRF	0.10	3.5	0.090	100
NEXCW224Z3.5V10.7X5.5TRF	0.22	3.5	0.200	50
NEXCW474Z3.5V10.7X8.5TRF	0.47	3.5	0.420	50
NEXCW473Z5.5V10.7X5.5TRF	0.047	5.5	0.071	100
NEXCW104Z5.5V10.7X5.5TRF	0.10	5.5	0.150	50
NEXCW224Z5.5V10.7X8.5TRF	0.22	5.5	0.330	50

HIGH TEMPERATURE REFLOW PROFILE



Peak Temperature	+260°C
Time above +255°C	10 sec. max.
Time above +230°C	45 sec. max.
Time above +220°C	60 sec. max.
Time above +217°C	70 sec. max.
150°C ~ +200°C (with time above +170°C 50 sec. max.)	150 sec. max.

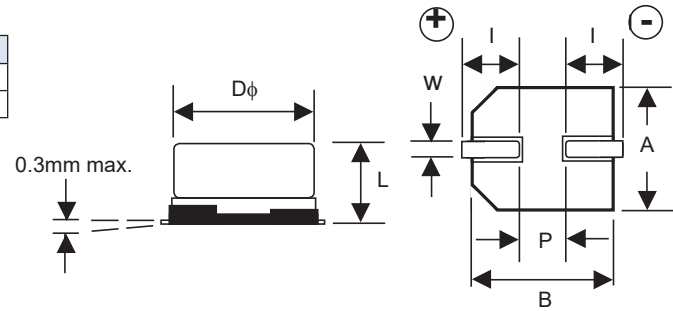
1. The temperatures shown are the surface temperature values on the top of the can and on the capacitor terminals.
2. 2x reflow process maximum. Capacitor should be allowed to return to room temperature before second reflow process.

PRECAUTIONS

Please review the notes on correct use, safety and precautions found at https://www.nicomp.com/resource/files/double/Double_Layer_Capacitor_Guide_0810-RevBrA7.pdf
 If in doubt or uncertainty, please review your specific application - process details with NIC's technical support personnel: tpmg@nicomp.com

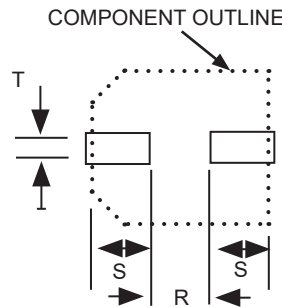
CASE DIMENSIONS (mm)

Case Size	$D\phi \pm$	L max.	A/B ± 0.2	I	W	P
10.7 x 5.5	10.7	5.5	10.8	3.9 ± 0.5	1.2 ± 0.1	5.0
10.7 x 8.5	10.7	8.5	10.8	3.9 ± 0.5	1.2 ± 0.1	5.0



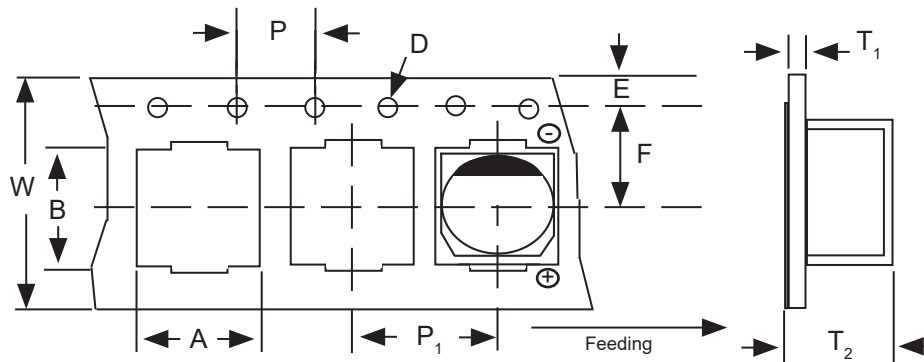
LAND PATTERN DIMENSIONS (mm)

Case Diameter	R	S	T
10.7	5.0	4.9	2.5



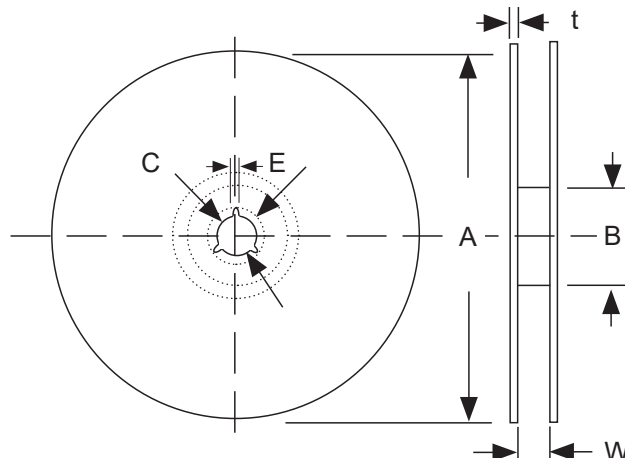
CARRIER TAPE DIMENSIONS (mm)

Case Size	A	B	D	E	F	P	P_1	T_1	T_2	W	Quantity/Reel
10.7 x 5.5	11.4	13.0	1.55	1.75	11.5	4.0	16.0	0.4	6.0	24.0	1,000
10.7 x 8.5	11.4	13.0	1.55	1.75	11.5	4.0	16.0	0.4	8.4	24.0	500

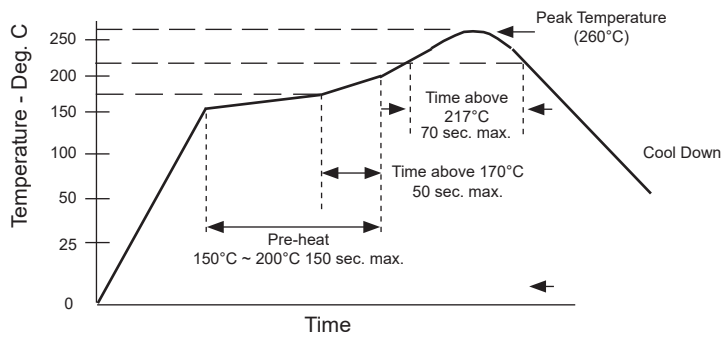


REEL DIMENSIONS (mm)

Case Size	$A \pm 2.0$	$B \pm 1.0$	$C \pm 0.5$	$D \pm 0.8$	$E \pm 0.5$	W	t
10.7 x 5.5	380	80.0	13.0	21.0	2.0	25.5 ± 0.5	2.0
10.7 x 8.5	380	100.0	13.0	21.0	2.0	25.5 ± 1.0	2.0



HIGH TEMPERATURE REFLOW PROFILE



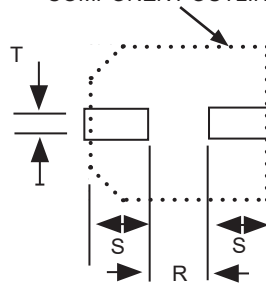
Peak Temperature	+260°C
Time above +255°C	10 sec. max.
Time above +230°C	45 sec. max.
Time above +220°C	60 sec. max.
Time above +217°C	70 sec. max.
150°C ~ +200°C (with time above +170°C 50 sec. max.)	150 sec. max.

1. The temperatures shown are the surface temperature values on the top of the can and on the capacitor terminals.
2. 2x reflow process maximum. Capacitor should be allowed to return to room temperature before second reflow process.

LAND PATTERN DIMENSIONS (mm)

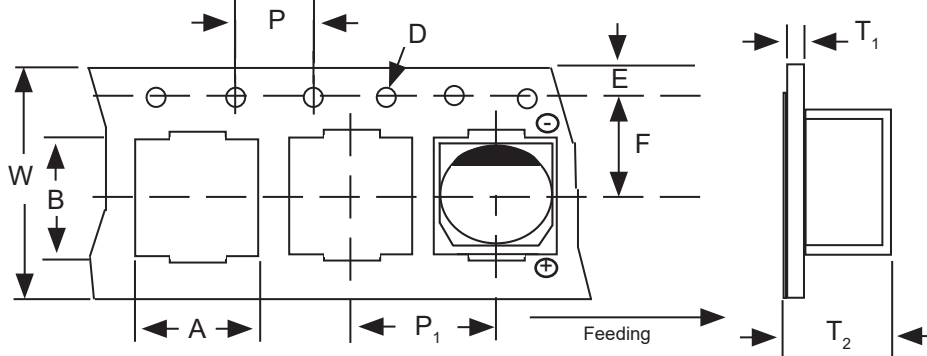
Case Diameter	R	S	T
10.7	5.0	4.9	2.5

COMPONENT OUTLINE



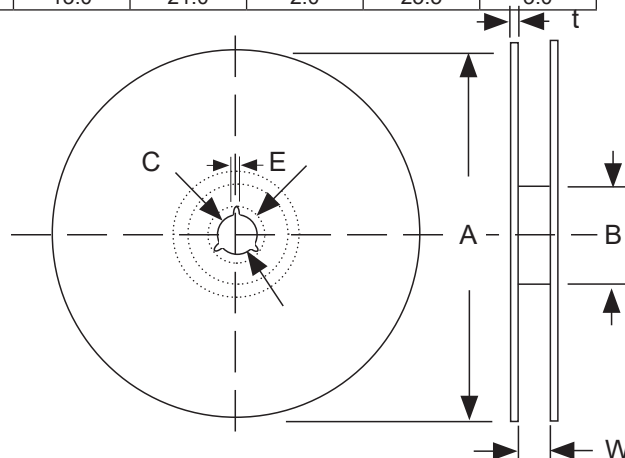
CARRIER TAPE DIMENSIONS (mm)

Case Size	A	B	D	E	F	G	P	P ₁	T ₁	T ₂	W	Quantity/Reel
10.7 x 5.5	11.4	13.0	1.55	1.75	11.5	-	4.0	16.0	0.4	6.0	24.0	1,000



REEL DIMENSIONS (mm)

Case Size	A ± 2.0	B ± 1.0	C ± 0.5	D ± 0.8	E ± 0.5	W	t
10.7 x 5.5	380	80.0	13.0	21.0	2.0	25.5	3.0



RELIABILITY TEST

Item	Specification			Test Method JIS C 5260-1
Temperature Characteristics	Step 2	Capacitance	>50% of initial measured value	Section 4.17 Phase 1: +25°C ± 2°C Phase 2: -25°C ± 2°C Phase 3: -40°C ± 2°C Phase 4: +25°C ± 2°C Phase 5: +85°C ± 2°C Phase 6: +25°C ± 2°C
		ESR	<400% of initial measured value	
	Step 3	Capacitance	>30% of initial measured value	
		ESR	<700% of initial measured value	
	Step 5	Capacitance	>200% of initial measured value	
		ESR	Meets initial specification	
		Current @ 30 minutes	1.5CV (mA) or less	
	Step 6	Capacitance	±20% of initial measured value*	
		ESR	Meets initial specification*	
Current after 30 minutes		Meets initial specification*		
Vibration	Capacitance	Meets initial specifications	Section 4.13 Frequency: 10 ~ 55Hz Duration: 6 hours	
	ESR			
	Current after 30 minutes			
	Appearance	No obvious abnormalities		
Resistance to Soldering Heat	Capacitance	Meets initial specifications*	See NEXCW datasheet for reflow soldering conditions	
	ESR			
	Current after 30 minutes			
	Appearance	No obvious abnormalities		
Temperature Cycling	Capacitance	Meets initial specifications*	Section 4.12 Temp.: -40°C > +25°C > +85°C Number of cycles: 5	
	ESR			
	Current after 30 minutes			
	Appearance	No obvious abnormalities		
Resistance to High Temperature & Humidity	Capacitance	±20% of initial measured value*	Section 4.14 Temperature: +40°C ± 2°C Relative Humidity: 90% ~ 95% Duration: 240 hours ± 8 hours	
	ESR	<120% of initial specified value*		
	Current after 30 minutes	<120% of initial specified value*		
	Appearance	No obvious abnormalities		
High Temperature Load Life	Capacitance	±30% of initial measured value*	Section 4.15 Temperature: +85°C ± 2°C Voltage: 5.5Vdc Series resistance: 0Ω Duration: 240 hours +8/-0 hours	
	ESR	<200% of initial specified value*		
	Current after 30 minutes	<200% of initial specified value*		
	Appearance	No obvious abnormalities		

* Stabilize component at +25°C prior to making measurements of characteristics.