

NHD-5.0-800480TF-ATXL#-T

TFT (Thin-Film-Transistor) Color Liquid Crystal Display Module

NHD-	Newhaven Display
5.0-	5.0" Diagonal
800480-	800xRGBx480 Pixels
TF-	Model
A-	Built-in Driver / No Controller
T-	White LED Backlight
X-	TFT
L-	MVA, Enhanced Optical Characteristics, Wide Temperature
#-	RoHS Compliant
T-	4-wire Resistive Touch Panel

Newhaven Display International, Inc.

2661 Galvin Court

Elgin IL, 60124

Ph: 847-844-8795

Fax: 847-844-8796

www.newhavendisplay.com

nhtech@newhavendisplay.com

nhsales@newhavendisplay.com

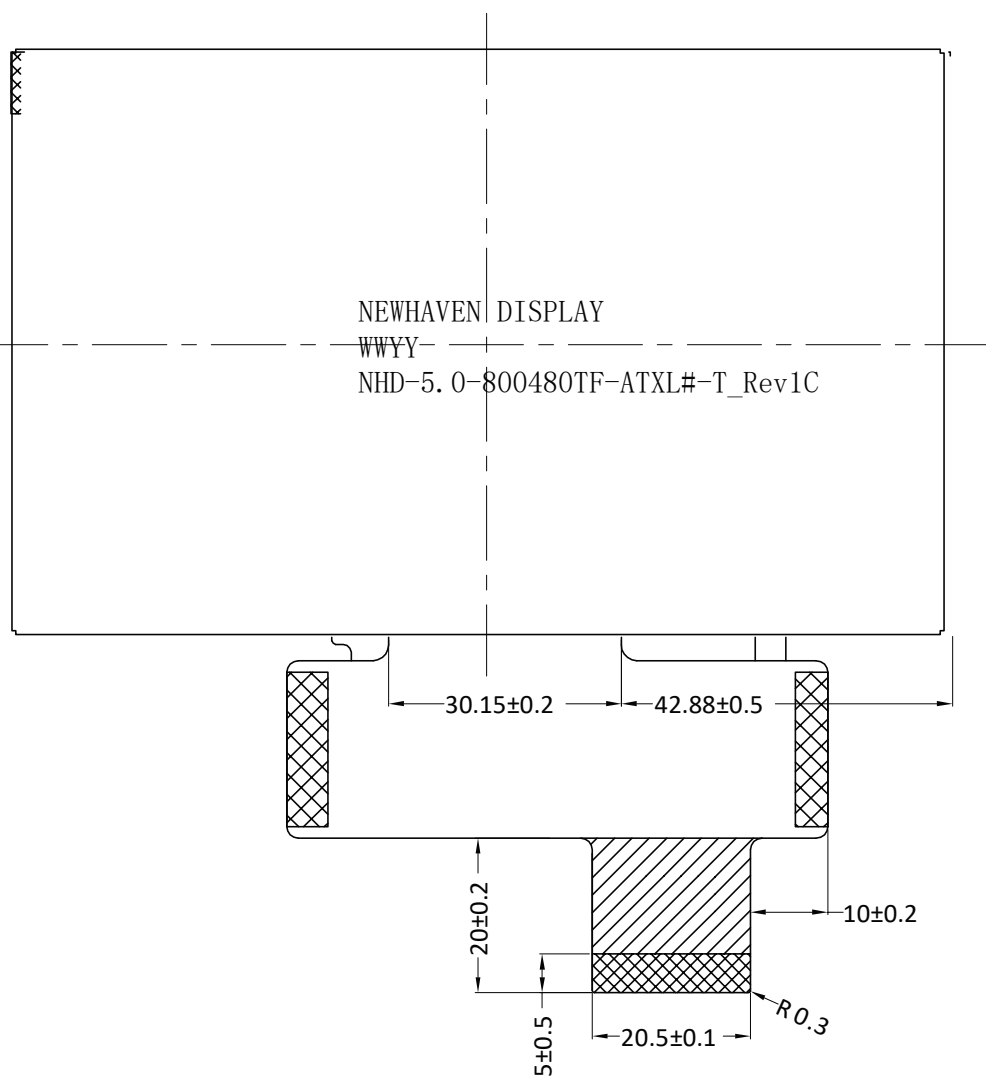
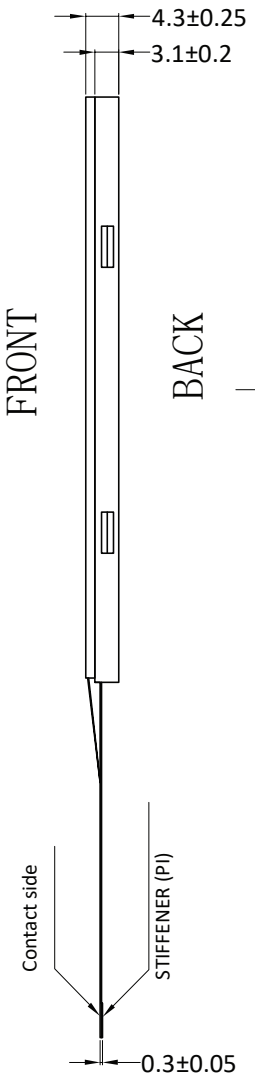
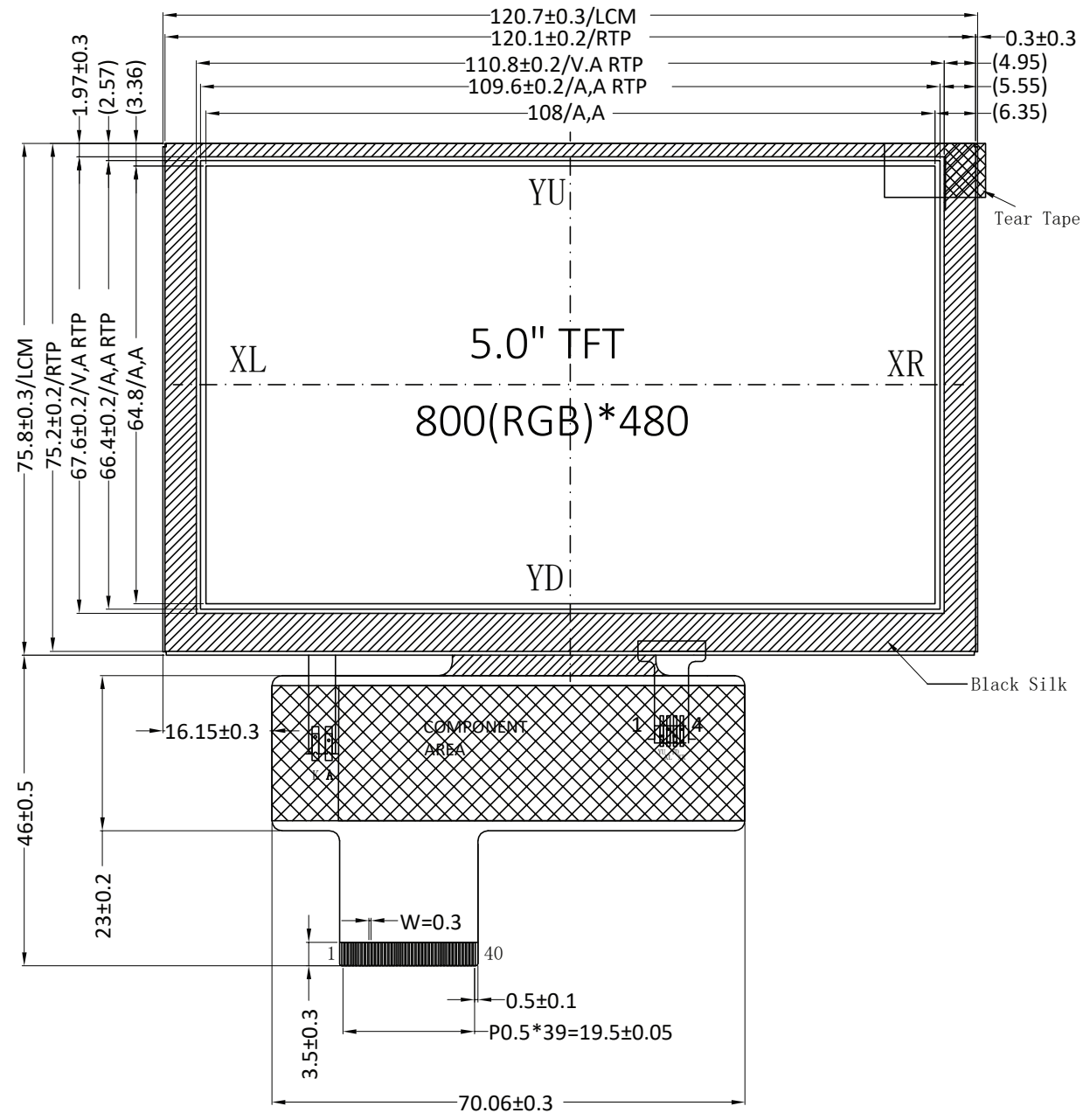
Document Revision History

Revision	Date	Description	Changed by
0	8/28/13	Initial Release	AK
1	9/16/14	Electrical Characteristics updated	ML
2	9/2/15	Driver, Electrical, Optical characteristics updated	AK
3	11/2/15	Backlight Lifetime Rating Added, Datasheet Reformat	SB
4	2/23/16	Corrected Notes on Drawing	SB
5	7/22/16	Updated Mechanical Drawing, Electrical Characteristics	TM
6	4/14/17	Supply Current Updated	SB
7	10/5/18	Driver IC Update & Chromaticity Added	SB
8	7/11/19	Timing Characteristics Updated	SB
9	1/14/20	Driver Change to ILI6122, Optical Characteristics Updated	SB
10	4/22/20	Added Information for DE Mode Operation	TM
11	5/5/20	Updated Viewing Angles	AS

Functions and Features

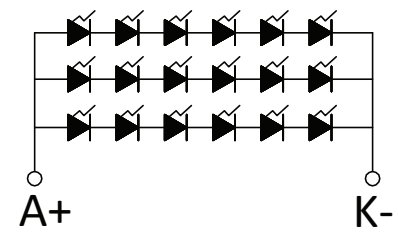
- 800xRGBx480 resolution, up to 16.7M colors
- 18-LED backlight
- 24-bit RGB interface
- Enhanced Optical Characteristics
- 4-wire Resistive Touch Panel
- Wide Viewing Angles

SYMBOL	REVISION	DATE



NO.	PIN	N
1	VLE	-
2	VLE	
3	GNI	
4	VD	
5	R0	
6	R1	
7	R2	
8	R3	
9	R4	
10	R5	
11	R6	
12	R7	
13	G0	
14	G1	
15	G2	
16	G3	
17	G4	
18	G5	
19	G6	
20	G7	
21	B0	
22	B1	
23	B2	
24	B3	
25	B4	
26	B5	
27	B6	
28	B7	
29	GNI	
30	CL	
31	STI	
32	HS	
33	VS	
34	DE	
35	NC	
36	GNI	
37	XR	
38	YD	
39	XL	
40	YU	

- Notes:**
1. Display size: 5.0" TFT
 2. Display mode: MVA/Transmissive/Normally White/Anti-glare
 3. Supply Voltage: 3.3V
 4. Driver IC: ILI6122
 5. Backlight: White LED / 19.2V (Typ) / 60mA (Typ)
 6. Brightness: 400 cd/m² (Typ)
 7. 3M Brightness Enhancement Film
 8. Touch Panel: 4-wire Resistive Touch



STANDARD TOLERANCE: (UNLESS OTHERWISE SPECIFIED)		NEWHAVEN DISPLAY INTERNATIONAL	
LINEAR: ±0.3mm		DRAWING/PART NUMBER: NHD-5.0-800480TF-ATXL#-T	
UNLESS OTHERWISE SPECIFIED: - DIMENSIONS ARE IN MILLIMETERS - THIRD ANGLE PROJECTION		DRAWN BY: S. Baxi	APPROVED BY: S. Baxi
		DRAWN DATE: 1/14/20	APPROVED DATE: 1/14/20
		DO NOT SCALE DRAWING	
		SHEET 1 OF 1	
THIS DRAWING IS SOLELY THE PROPERTY OF NEWHAVEN DISPLAY INTERNATIONAL, INC. THE INFORMATION IT CONTAINS IS NOT TO BE DISCLOSED, REPRODUCED OR COPIED IN WHOLE OR PART WITHOUT WRITTEN APPROVAL FROM NEWHAVEN DISPLAY.			

Pin Description

Pin No.	Symbol	External Connection	Function Description
1	LED-	LED Power Supply	Ground for Backlight
2	LED+	LED Power Supply	Backlight Power Supply (60mA @ 19.2V)
3	GND	Power Supply	Ground
4	V _{DD}	Power Supply	Power supply for LCD and logic (3.3V)
5-12	[R0-R7]	MPU	Red Data Signals
13-20	[G0-G7]	MPU	Green Data Signals
21-28	[B0-B7]	MPU	Blue Data Signals
29	GND	Power Supply	Ground
30	CLKIN	MPU	Clock for input data (Rising Edge)
31	STBYB	MPU	1: Normal Operation; 0: Standby Mode
32	HSD	MPU	Line synchronization signal
33	VSD	MPU	Frame synchronization signal
34	DEN	MPU	Data Enable signal; Positive Polarity (Required in DE mode)
35	NC	-	No Connect
36	GND	Power Supply	Ground
37	XR	Touch Controller	Touch Panel Right
38	YD	Touch Controller	Touch Panel Down
39	XL	Touch Controller	Touch Panel Left
40	YU	Touch Controller	Touch Panel Up

Recommended LCD connector: 0.5mm pitch 40-Conductor FFC. Molex p/n: 54104-4031 (top contact)

Backlight connector: on LCD connector

Mates with: ---

The ILI6122 driver IC is configured for DE Mode by default which eliminates the need to depend on HSD and VSD timing signals. Using DE mode in place of Sync mode, the display will no longer be affected by changes to the sync timing or porch settings in the event of a driver IC change. This will maintain a consistent display performance for any driver IC changes that may occur in the future.

The ILI6122 driver will treat the data on the Dx[7:0] RGB data bus as active display data while DEN is at “H” level and ignore the data on the Dx[7:0] RGB data bus while DEN is at “L” level.

Sync Mode can still be provided as the default setting but will need to be ordered as a custom option.

Driver Information

Built-in ILI6122 Source Driver: <http://www.newhavendisplay.com/appnotes/datasheets/LCDs/ILI6122.pdf>

Built-in ILI5960D Gate Driver: <http://www.newhavendisplay.com/appnotes/datasheets/LCDs/ILI5960D.pdf>

Electrical Characteristics

Item	Symbol	Condition	Min.	Typ.	Max.	Unit
Operating Temperature Range	T _{OP}	Absolute Max	-20	-	+70	°C
Storage Temperature Range	T _{ST}	Absolute Max	-30	-	+80	°C
Supply Voltage	V _{DD}	-	3.0	3.3	3.6	V
Supply Current	I _{DD}	V _{DD} = 3.3V	39	78	117	mA
"H" Level input	V _{IH}	-	0.7 * V _{DD}	-	V _{DD}	V
"L" Level input	V _{IL}	-	GND	-	0.3 * V _{DD}	V
"H" Level output	V _{OH}	-	V _{DD} - 0.4	-	V _{DD}	V
"L" Level output	V _{OL}	-	GND	-	GND + 0.4	V
Backlight Supply Current	I _{LED}	-	-	60	75	mA
Backlight Supply Voltage	V _{LED}	I _{LED} = 60mA	16.8	19.2	20.4	V
Backlight Lifetime*	-	T _{OP} = 25°C	-	30,000	-	Hrs.

*Backlight lifetime is rated as Hours until **half-brightness**, under normal operating conditions. The LED of the backlight is driven by current drain; drive voltage is for reference only. Drive voltage must be selected to ensure backlight current drain is below MAX level stated.

Optical Characteristics

Item	Symbol	Condition	Min.	Typ.	Max.	Unit	
Optimal Viewing Angles	Top	CR ≥ 10	60	70	-	°	
	Bottom		60	70	-	°	
	Left		60	70	-	°	
	Right		60	70	-	°	
Contrast Ratio	CR	-	400	500	-	-	
Luminance	L _V	I _{LED} = 60 mA	380	480	-	cd/m ²	
Response Time	T _R + T _F	T _{OP} = 25°C	-	20	50	ms	
Chromaticity	Red	X _R	-	0.519	0.569	0.619	-
		Y _R	-	0.292	0.342	0.392	-
	Green	X _G	-	0.286	0.336	0.386	-
		Y _G	-	0.559	0.609	0.659	-
	Blue	X _B	-	0.094	0.144	0.194	-
		Y _B	-	0.056	0.106	0.156	-
White	X _W	-	0.267	0.317	0.367	-	
	Y _W	-	0.315	0.365	0.415	-	

Touch Panel Characteristics

Item	Min.	Typ.	Max.	Unit
Linearity	-1.5	-	1.5	%
Circuit Resistance – X-Axis	350	-	1000	Ω
Circuit Resistance – Y-Axis	100	-	450	Ω
Insulation Resistance	20	-	-	MΩ
Operating Voltage	-	-	10	V
Chattering	-	-	10	ms
Transmittance	80	-	-	%
Activation Force	20	-	100	g
Pen Writing Durability	20,000	-	-	Characters
Pitting Durability	1,000,000	-	-	Touches
Surface Hardness	3	-	-	H
Haze	4	7	10	%

Timing Characteristics

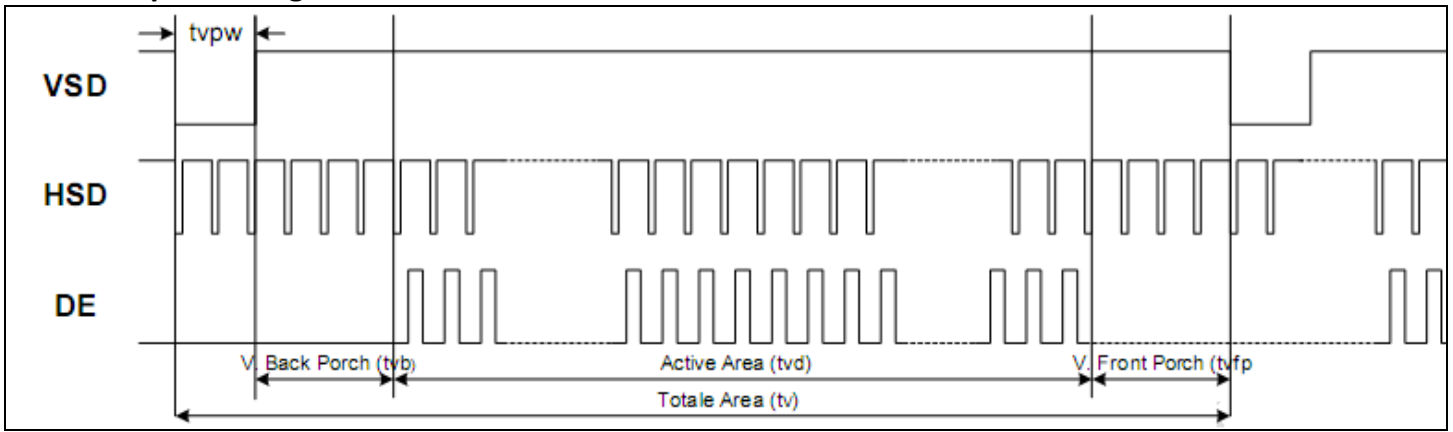
AC Characteristics

Parameter	Symbol	Min	Typ	Max	Unit	Conditions
V _{DD} Power ON Slew Rate	T _{POR}	-	-	20	ms	From 0V to 90% V _{DD}
RSTB Pulse Width	T _{RST}	10	-	-	μs	CLKIN = 45MHz
CLKIN cycle time	T _{cph}	20	-	-	ns	
CLKIN pulse duty	T _{cwh}	40	50	60	%	
VSD setup time	T _{vst}	8	-	-	ns	
VSD hold time	T _{vhd}	8	-	-	ns	
HSD setup time	T _{hst}	8	-	-	ns	
HSD hold time	T _{hhd}	8	-	-	ns	
Data set-up time	T _{dsu}	8	-	-	ns	DOR[7:0], D1G[7:0], D2B[7:0] to CLKIN
Data hold time	T _{dhd}	8	-	-	ns	DOR[7:0], D1G[7:0], D2B[7:0] to CLKIN
DE setup time	T _{esu}	8	-	-	ns	
DE hold time	T _{ehd}	8	-	-	ns	
Output stable time	T _{sst}	-	-	6	μs	10%-90% target voltage C _L = 120pf, R = 10kΩ

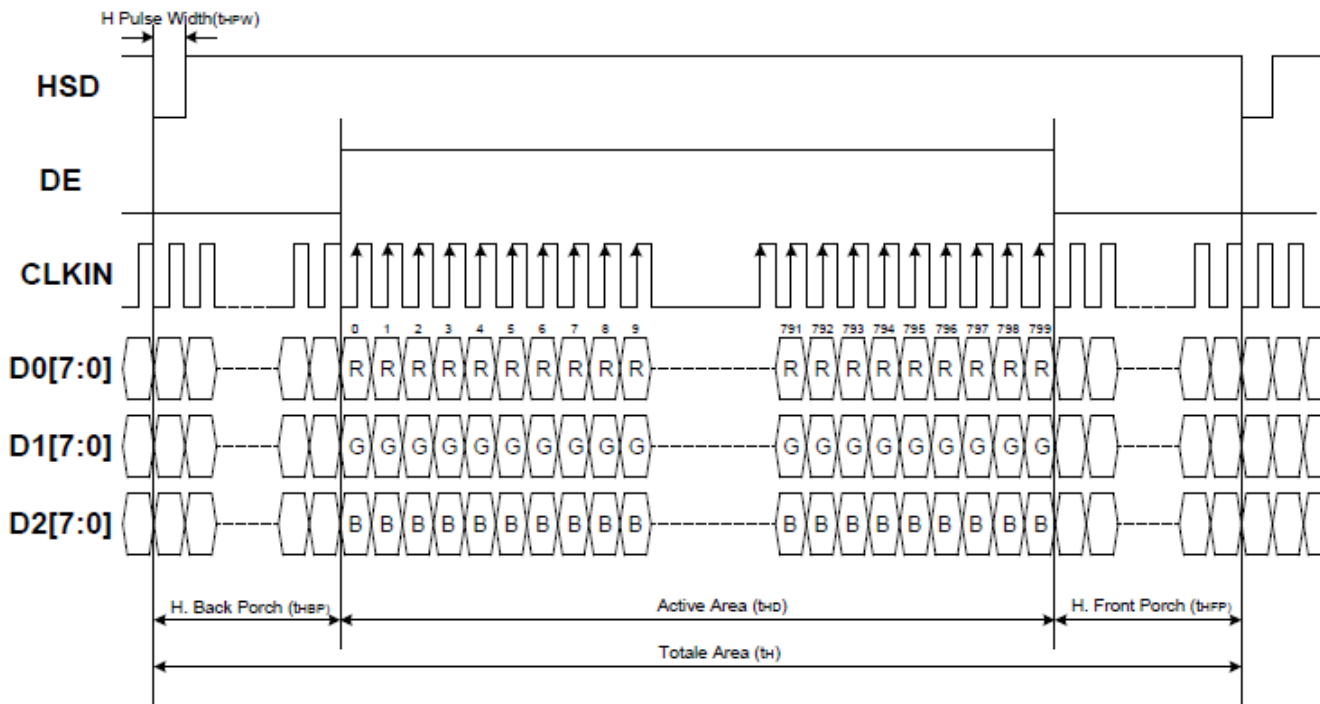
Parallel 24-Bit RGB Mode Timing

Parameter	Symbol	Min	Typ	Max	Unit	Conditions
CLKIN Frequency	F _{clk}	-	40	50	MHz	V _{DD} = 2.7V ~ 3.6V
CLKIN time	T _{clk}	20	25	-	Ns	
CLKIN Pulse Duty	T _{cwh}	40	50	60	%	T _{clk}
Time from HSD to Source Output	T _{hso}	-	20	-	CLKIN	
Time from HSD to LD	T _{hld}	-	20	-	CLKIN	
Time from HSD to STV	T _{hstv}	-	2	-	CLKIN	
Time from HSD to CKV	T _{hckv}	-	20	-	CLKIN	
Time from HSD to OEV	T _{hoev}	-	4	-	CLKIN	
LD Pulse Width	T _{wld}	-	10	-	CLKIN	
CKV Pulse Width	T _{wckv}	-	66	-	CLKIN	
OEV Pulse Width	T _{woev}	-	74	-	CLKIN	

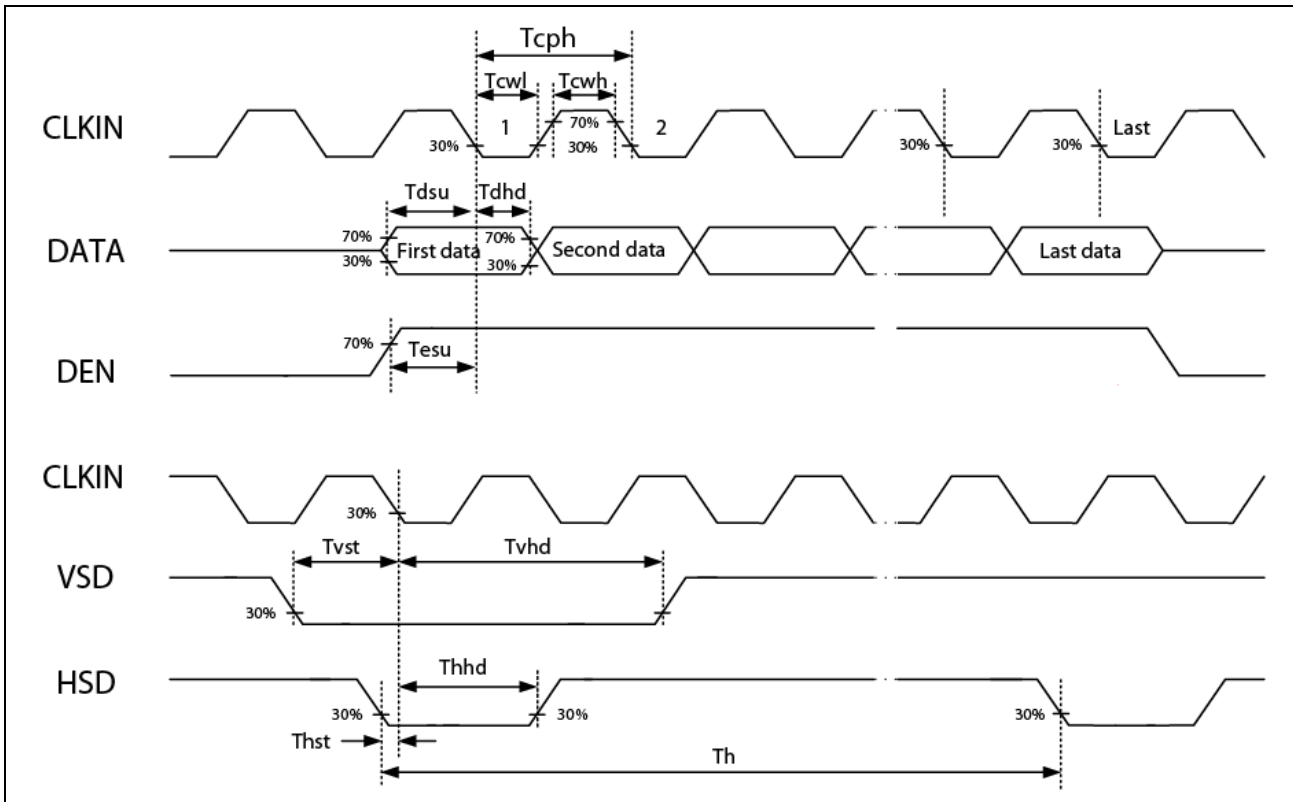
Vertical Input Timing



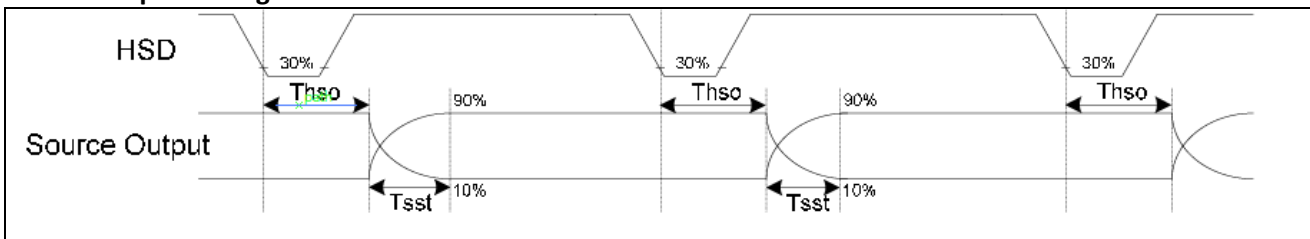
Horizontal Input Timing (DE Mode)



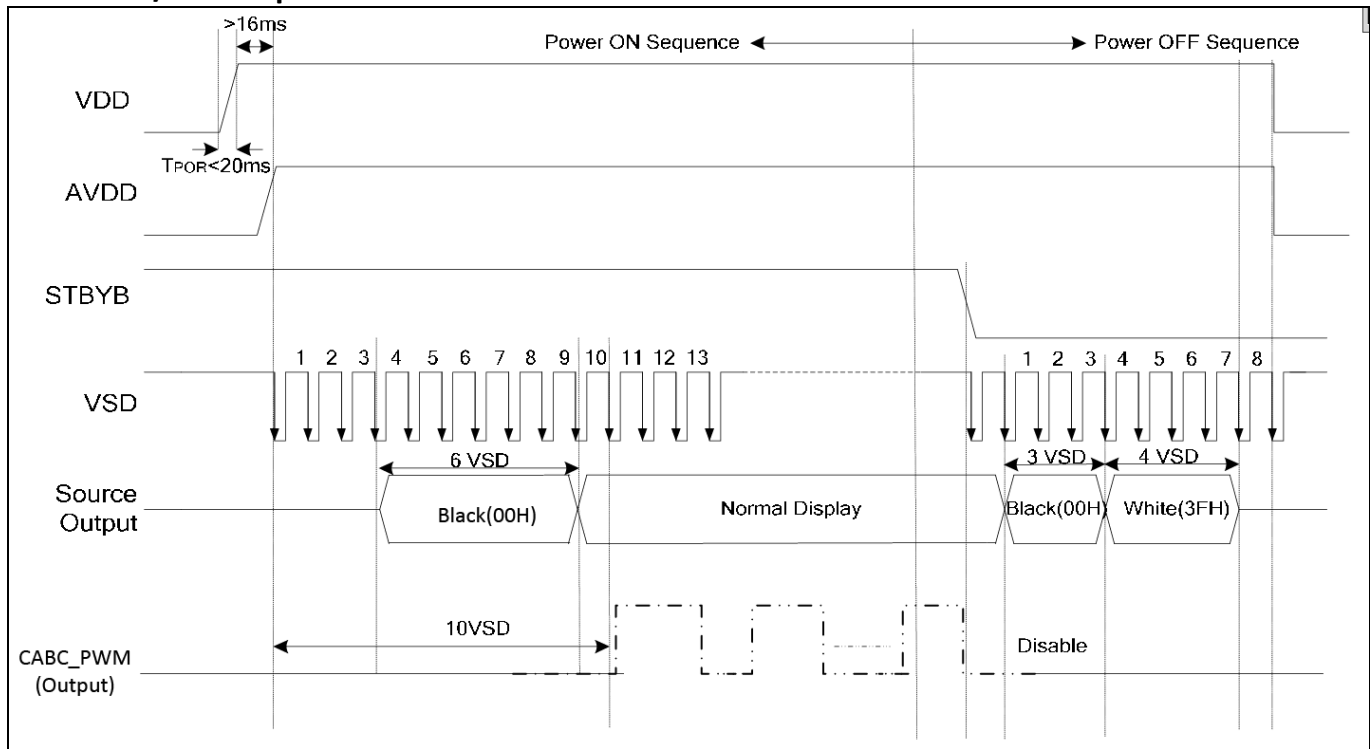
Input Clock and Data Timing



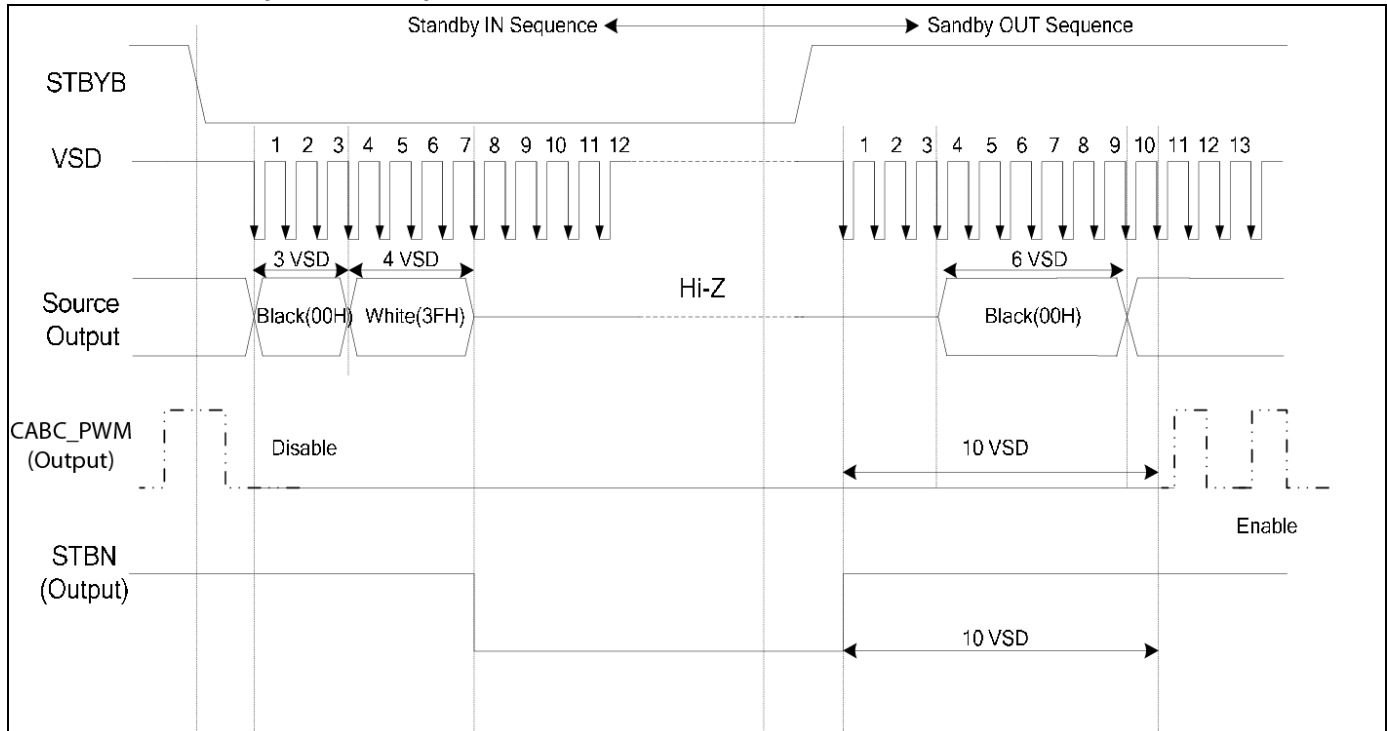
Source Output Timing



Power ON/OFF Sequence



Enter/Exit Standby Mode Sequence



Quality Information

Test Item	Content of Test	Test Condition	Note
High Temperature storage	Endurance test applying the high storage temperature for a long time.	+80°C, 96 Hrs.	2
Low Temperature storage	Endurance test applying the low storage temperature for a long time.	-30°C, 96 Hrs.	1,2
High Temperature Operation	Endurance test applying the electric stress (voltage & current) and the high thermal stress for a long time.	+70°C, 96 Hrs.	2
Low Temperature Operation	Endurance test applying the electric stress (voltage & current) and the low thermal stress for a long time.	-20°C, 96 Hrs.	1,2
High Temperature / Humidity Operation	Endurance test applying the electric stress (voltage & current) and the high thermal with high humidity stress for a long time.	+50°C, 90% RH, 96 Hrs.	1,2
Thermal Shock resistance	Endurance test applying the electric stress (voltage & current) during a cycle of low and high thermal stress.	-20°C, 60min -> 70°C, 60min = 1 Cycle for 20 cycles	
Vibration test	Endurance test applying vibration to simulate transportation and use.	10-50Hz, 5G in each of 3 directions X, Y, Z For 30 minutes each direction	3
Static electricity test	Endurance test applying electric static discharge.	Air: 8kV, 150pF, 330Ω, 5 times Contact: 4kV, 150pF, 330Ω, 5 times	

Note 1: No condensation to be observed.

Note 2: Conducted after 4 hours of storage at 25°C, 0%RH.

Note 3: Test performed on product itself, not inside a container.

Precautions for using LCDs/LCMs

See Precautions at www.newhavendisplay.com/specs/precautions.pdf

Warranty Information and Terms & Conditions

http://www.newhavendisplay.com/index.php?main_page=terms