

NHD-2.7-12864WDW3

Graphic OLED Display Module

NHD-	Newhaven Display
2.7-	2.7" Diagonal Size
12864-	128 x 64 Pixel Resolution
WD-	Model
W-	Emitting Color: White
3-	+3.3V Power Supply

Newhaven Display International, Inc.

2661 Galvin Ct.

Elgin IL, 60124

Ph: 847-844-8795

Fax: 847-844-8796

www.newhavendisplay.com

nhtech@newhavendisplay.com

nhsales@newhavendisplay.com

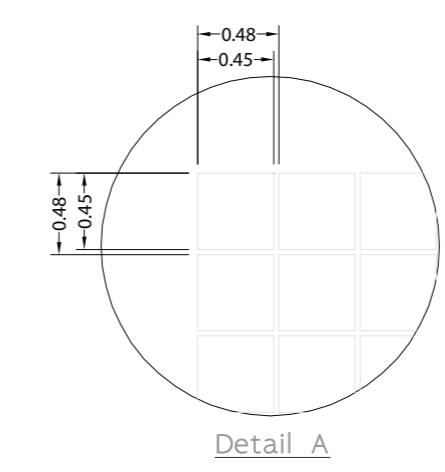
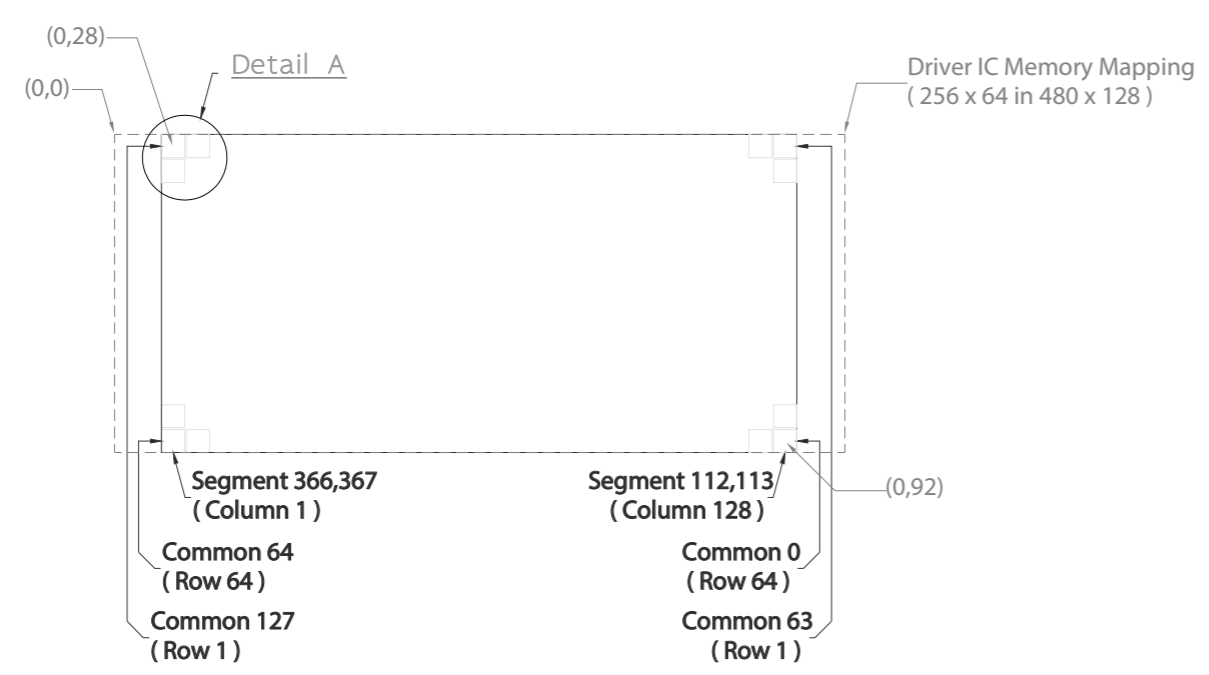
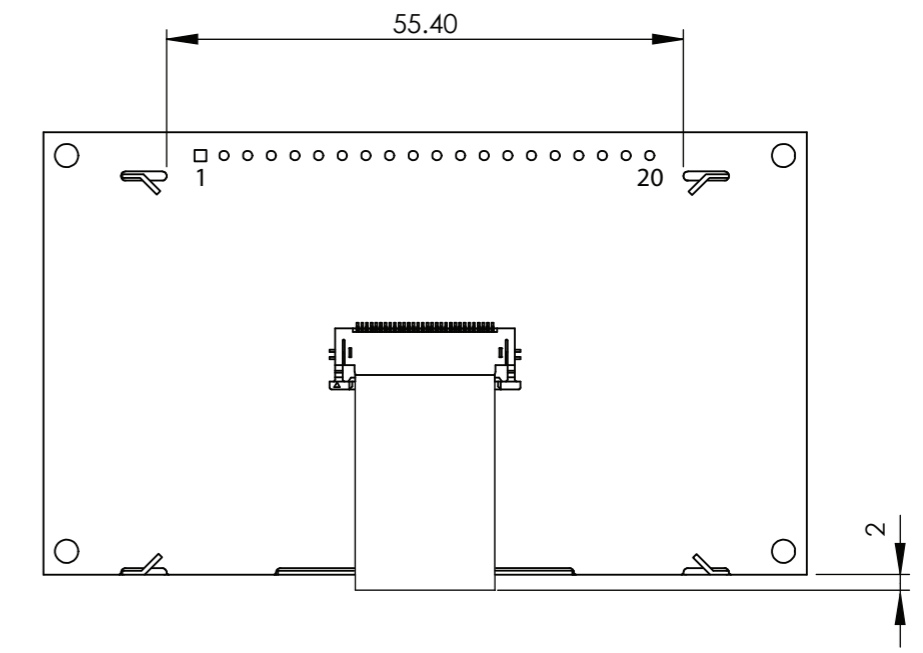
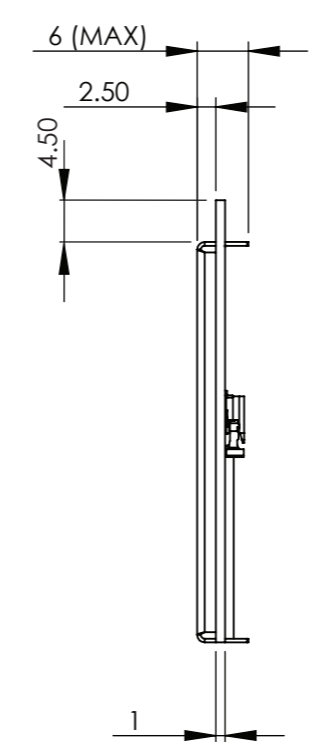
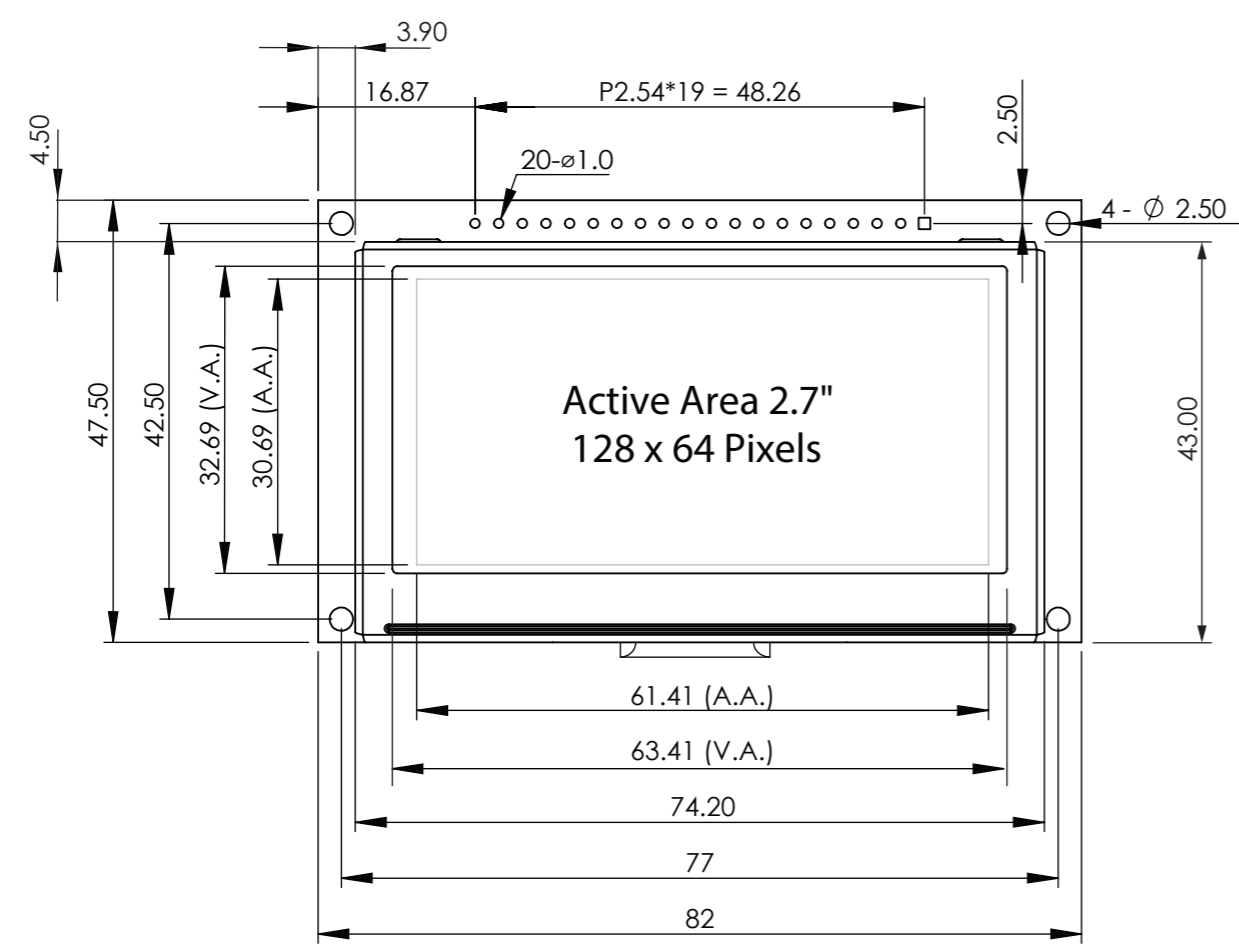
Document Revision History

Revision	Date	Description	Changed by
-	6/9/2017	Initial Release	ML
1	7/25/2017	Update Storage Temperature range	ML
2	5/12/2020	Included Additional Dimensions on Mechanical Drawing	AS

Functions and Features

- 128 x 64 pixel resolution
- Built-in SSD1322 controller
- Parallel or Serial MPU interface
- Single, low voltage power supply
- Power options via on-board jumpers
- RoHS compliant

SYMBOL	REVISION	DATE



- Notes:
1. Display Color: White
 2. Interface: 8-bit 68XX/80XX Parallel, 3-/4-wire SPI
 3. Controller: SSD1322

STANDARD TOLERANCE: (UNLESS OTHERWISE SPECIFIED)			
LINEAR: ±0.3mm		DRAWING/PART NUMBER: NHD-2.7-12864WDW3	REVISION: 1.0
UNLESS OTHERWISE SPECIFIED: - DIMENSIONS ARE IN MILLIMETERS - THIRD ANGLE PROJECTION		DRAWN BY: H. Aloum	APPROVED BY: A. Khan
		DRAWN DATE: 05/06/20	APPROVED DATE: 05/06/20
		DO NOT SCALE DRAWING	
		SHEET 1 OF 1	
THIS DRAWING IS SOLELY THE PROPERTY OF NEWHAVEN DISPLAY INTERNATIONAL, INC. THE INFORMATION IT CONTAINS IS NOT TO BE DISCLOSED, REPRODUCED OR COPIED IN WHOLE OR PART WITHOUT WRITTEN APPROVAL FROM NEWHAVEN DISPLAY.			

Interface Description

Parallel Interface:

Pin No.	Symbol	External Connection	Function Description
1	VSS	Power Supply	Ground
2	VDD	Power Supply	Supply Voltage for OLED module
3	N.C. (BC_VDD)	-	No Connect by default. Can be configured to provide independent supply voltage (2.8V – 12V DC) for boost converter. (refer to On-Board Jumper Options section below)
4	D/C	MPU	Data/Command select signal, D/C=0: Command, D/C=1: Data
5	R/W or /WR	MPU	6800-interface: Read/Write select signal, R/W=1: Read, R/W=0: Write 8080-interface: Active LOW Write signal
6	E or /RD	MPU	6800-interface: Operation Enable signal, falling edge triggered 8080-interface: Active LOW Read signal
7-14	DB0 – DB7	MPU	8-bit bi-directional Data Bus
15	N.C. (VCC)	-	No Connect by default. Can be configured for external VCC (+15V). (refer to On-Board Jumper Options table below)
16	/RES	MPU	Active LOW Reset signal
17	/CS	MPU	Active LOW Chip Select signal
18	/SHDN (N.C.)	MPU	Active LOW Shutdown control pin for boost converter (pulled HIGH via on-board 15kΩ resistor) Can be made a No Connect by removing resistor R1.
19	BS1	MPU	MPU Interface select signal
20	BS0	MPU	MPU Interface select signal

Serial Interface:

Pin No.	Symbol	External Connection	Function Description
1	VSS	Power Supply	Ground
2	VDD	Power Supply	Supply Voltage for OLED module
3	N.C. (BC_VDD)	-	No Connect by default. Can be configured to provide independent supply voltage (2.8V – 12V DC) for boost converter. (refer to On-Board Jumper Options table below)
4	D/C	MPU	Data/Command select signal, D/C=0: Command, D/C=1: Data (tie LOW for 3-wire Serial Interface)
5-6	VSS	Power Supply	Ground
7	SCLK	MPU	Serial Clock signal
8	SDIN	MPU	Serial Data Input signal
9	N.C.	-	No Connect
10-14	VSS	Power Supply	Ground
15	N.C. (VCC)	-	No Connect by default. Can be configured for external VCC (+15V). (refer to On-Board Jumper Options section below)
16	/RES	MPU	Active LOW Reset signal
17	/CS	MPU	Active LOW Chip Select signal
18	/SHDN (N.C.)	MPU	Active LOW Shutdown control pin for boost converter (pulled HIGH via on-board 15kΩ resistor) Can be made a No Connect by removing resistor R1.
19	BS1	MPU	MPU Interface select signal
20	BS0	MPU	MPU Interface select signal

Interface Selection

MPU Interface Pin Selections

Pin Name	6800 Parallel 8-bit interface	8080 Parallel 8-bit interface	3-wire Serial Interface	4-wire Serial Interface
BS1	1	1	0	0
BS0	1	0	1	0

MPU Interface Pin Assignment Summary

Bus Interface	Data/Command Interface							Control Signals						
	D7	D6	D5	D4	D3	D2	D1	D0	E	R/W	/CS	D/C	/RES	
8-bit 6800	D[7:0]							E	R/W	/CS	D/C	/RES		
8-bit 8080	D[7:0]							/RD	/WR	/CS	D/C	/RES		
3-wire SPI	Tie LOW			NC		SDIN	SCLK	Tie LOW		/CS	Tie LOW	/RES		
4-wire SPI	Tie LOW			NC		SDIN	SCLK	Tie LOW		/CS	D/C	/RES		

On-Board Jumper Options

Default Jumper Setting

R4	R5	R7	Description
Close	Open	Open	(default) OLED controller and boost converter + OLED panel are powered from VDD (pin #2). This allows the full module to be powered by a single low-voltage supply.

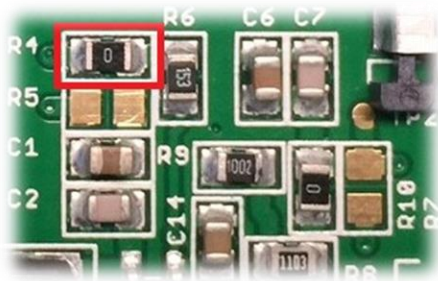
Jumper Option #1 - Independent Supply Voltage for Boost Converter (BC_VDD)

R4	R5	R7	Description
Open	Close	Open	Boost converter + OLED panel are powered from BC_VDD (pin #3). OLED controller is still powered from VDD (pin #2). This allows for increased efficiency through the boost converter, by allowing a supply voltage up to +12V at its input, BC_VDD (pin #3).

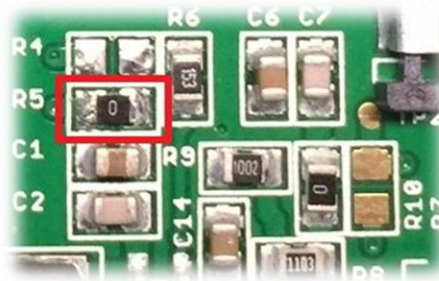
Jumper Option #2 – External Supply Voltage for OLED Panel (VCC)

R4	R5	R7	Description
Open	Open	Close	OLED panel is powered from VCC (pin #15) – boost converter is not used. OLED controller is still powered from VDD (pin #2). This allows for maximum module efficiency, and drastically reduced total current consumption.

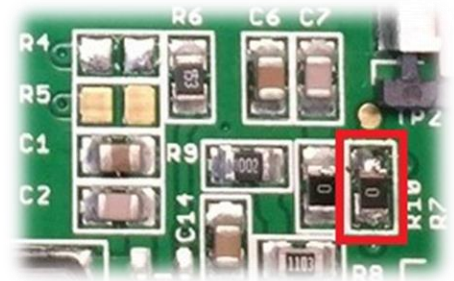
Default Jumper Setting



Jumper Option #1



Jumper Option #2



For detailed electrical information on each jumper option, please see the Electrical Characteristics table below.

Electrical Characteristics

Values for Current shown below are based on the recommended initialization provided on page 12.

Item	Symbol	Condition	Min.	Typ.	Max.	Unit
Operating Temperature Range	T _{op}	Absolute Max	-40	-	+85	°C
Storage Temperature Range	T _{st}	Absolute Max	-40	-	+85	°C
Default Jumper Setting						
Supply Voltage for Module	VDD	-	2.8	3.3	3.5	V
Supply Current for Module	IDD	VDD=3.3V, 50% ON	-	215	235	mA
		VDD=3.3V, 100% ON	-	345	375	mA
Jumper Option #1						
Supply Voltage for Module	VDD	-	2.8	3.3	3.5	V
Supply Voltage for Boost Converter	BC_VDD	-	2.8	-	12	V
Supply Current for Module	IDD	VDD=3.3V	-	190	305	µA
Supply Current for Boost Converter	IDD _{BC}	BC_VDD=5.0V, 50% ON	-	135	150	mA
		BC_VDD=5.0V, 100% ON	-	200	215	mA
		BC_VDD=12.0V, 50% ON	-	60	70	mA
		BC_VDD=12.0V, 100% ON	-	80	90	mA
Jumper Option #2						
Supply Voltage for Module	VDD	-	2.8	3.3	3.5	V
Supply Voltage for OLED Panel	VCC	-	14.5	15	15.5	V
Supply Current for Module	IDD	VDD=3.3V	-	180	300	µA
Supply Current for OLED Panel	ICC	VCC=15V, 50% ON	-	45	50	mA
		VCC=15V, 100% ON	-	60	70	mA
Sleep Mode Current	IDD _{SLEEP}	-	-	25	120	µA
"H" Level input	V _{ih}	-	0.8*VDD	-	VDD	V
"L" Level input	V _{il}	-	VSS	-	0.2*VDD	V
"H" Level output	V _{oh}	-	0.9*VDD	-	VDD	V
"L" Level output	V _{ol}	-	VSS	-	0.1*VDD	V

Note: The electrical characteristics shown above for Jumper Option #1 and Jumper Option #2 apply only when the on-board jumpers are configured accordingly. By default, only Default Jumper Setting supply voltage and current (in bold) need to be considered. For details, see On-Board Jumper Options section on previous page.

Optical Characteristics

Values for Brightness shown below are based on the recommended initialization provided on page 12.

Item	Symbol	Condition	Min.	Typ.	Max.	Unit
Optimal Viewing Angles	Top	φY+	-	85	-	°
	Bottom	φY-	-	85	-	°
	Left	θX-	-	85	-	°
	Right	θX+	-	85	-	°
Contrast Ratio	C _r	-	>10,000:1	-	-	-
Response Time	Rise	T _r	-	15	-	ns
	Fall	T _f	-	15	-	ns
Brightness	L _{br}	50% ON (checkerboard)	60	80	130	cd/m ²
Lifetime	-	T _a =25°C, L _{br} =80cd/m ²	30,000	-	-	hrs
	-	T _a =25°C, L _{br} =60cd/m ²	50,000	-	-	hrs

Note: Lifetime at typical temperature is based on accelerated high-temperature operation. Lifetime is tested at average 50% pixels on and is rated as Hours until **Half-Brightness**. To extend the life of the display, lower values may be used for the contrast setting registers – see below table of commands for details.

Controller Information

Built-in SSD1322 controller.

For details, view full datasheet at http://www.newhavendisplay.com/app_notes/SSD1322.pdf

Table of Commands

Instruction	Code										Description	RESET value	
	D/C	HEX	DB7	DB6	DB5	DB4	DB3	DB2	DB1	DB0			
Enable Grayscale Table	0	00	0	0	0	0	0	0	0	0	0	Enable the Grayscale table settings. (see command 0xB8)	
Set Column Address	0 1 1	15 A[6:0] B[6:0]	0 * *	0 A6 B6	0 A5 B5	1 A4 B4	0 A3 B3	1 A2 B2	0 A1 B1	1 A0 B0	Set column start and end address A[6:0]: Column start address. Range: 0-119d B[6:0]: Column end address. Range: 0-119d	0 119d	
Write RAM Command	0	5C	0	1	0	1	1	1	0	0	Enable MCU to write Data into RAM		
Read RAM Command	0	5D	0	1	0	1	1	1	0	1	Enable MCU to read Data from RAM		
Set Row Address	0 1 1	75 A[6:0] B[6:0]	0 * *	1 A6 B6	1 A5 B5	1 A4 B4	0 A3 B3	1 A2 B2	0 A1 B1	1 A0 B0	Set row start and end address A[6:0]: Row start address. Range: 0-127d B[6:0]: Row end address. Range: 0-127d	0 127d	
Set Re-map	0 1 1	A0 A[5:0] B[4]	1 0 *	0 0 *	1 A5 0	0 A4 B4	0 0 0	0 A2 0	0 A1 0	0 A0 1	A[0] = 0; Horizontal Address Increment A[0] = 1; Vertical Address Increment A[1] = 0; Disable Column Address remap A[1] = 1; Enable Column Address remap A[2] = 0; Disable Nibble remap A[2] = 1; Enable Nibble remap A[4] = 0; Scan from COM0 to COM[N-1] A[4] = 1; Scan from COM[N-1] to COM0 A[5] = 0; Disable COM split Odd/Even A[5] = 1; Enable COM split Odd/Even B[4] = 0; Disable Dual COM mode B[4] = 1; Enable Dual COM mode Note: A[5] must be 0 if B[4] is 1.	0 0 0 0 0 0	
Set Display Start Line	0 1	A1 A[6:0]	1 *	0 A6	1 A5	0 A4	0 A3	0 A2	0 A1	1 A0	Set display RAM display start line register from 0-127.	0	
Set Display Offset	0 1	A2 A[6:0]	1 *	0 A6	1 A5	0 A4	0 A3	0 A2	1 A1	0 A0	Set vertical shift by COM from 0~127.	0	
Display Mode	0	A4~A7	1	0	1	0	0	X2	X1	X0	0xA4 = Entire display OFF 0xA5 = Entire display ON, all pixels Grayscale level 15 0xA6 = Normal display 0xA7 = Inverse display	0xA6	
Enable Partial Display	0 1 1	A8 A[6:0] B[6:0]	1 0 0	0 A6 B6	1 A5 B5	0 A4 B4	1 A3 B3	0 A2 B2	0 A1 B1	0 A0 B0	Turns ON partial mode. A[6:0] = Address of start row B[6:0] = Address of end row (B[6:0] > A[6:0])		
Exit Partial Display	0	A9	1	0	1	0	1	0	0	1	Exit Partial Display mode		
Function Selection	0 1	AB A[0]	1 0	0 0	1 0	0 0	1 0	0 0	1 0	1 A0	A[0] = 0; External VDD A[0] = 1; Internal VDD regulator	1	

Select Default Linear Gray Scale Table	0 1	B9 A[4:0]	1 *	0 *	1 *	1 A4	1 A3	0 A2	0 A1	1 A0	Sets Linear Grayscale table GSO pulse width = 0 GSO pulse width = 0 GSO pulse width = 8 GSO pulse width = 16 . . . GSO pulse width = 104 GSO pulse width = 112	
Set Pre-charge Voltage	0 1	BB A[4:0]	1 *	0 *	1 *	1 A4	1 A3	0 A2	1 A1	1 A0	Set precharge voltage level. A[4:0] = 0x00; 0.20*VCC . . A[4:0] = 0x3E; 0.60*VCC	0x17
Set VCOMH Voltage	0 1	BE A[3:0]	1 *	0 *	1 *	1 *	1 A3	1 A2	1 A1	0 A0	Sets the VCOMH voltage level A[3:0] = 0x00; 0.72*VCC . . A[3:0] = 0x04; 0.8*VCC . . A[3:0] = 0x07; 0.86*VCC	0x04
Set Contrast Control	0 1	C1 A[7:0]	1 A7	1 A6	0 A5	0 A4	0 A3	0 A2	0 A1	1 A0	Double byte command to select 1 out of 256 contrast steps. Contrast increases as the value increases.	0x7F
Master Contrast Control	0 1	C7 A[3:0]	1 *	1 *	0 *	0 *	0 A3	1 A2	1 A1	1 A0	A[3:0] = 0x00; Reduce output for all colors to 1/16 A[3:0] = 0x01; Reduce output for all colors to 2/16 . . A[3:0] = 0x0E; Reduce output for all colors to 15/16 A[3:0] = 0x0F; no change	0x0f
Set Multiplex Ratio	0 1	CA A[6:0]	1 *	1 A6	0 A5	0 A4	1 A3	0 A2	1 A1	0 A0	Set MUX ratio to N+1 MUX N=A[6:0]; from 16MUX to 128MUX (0 to 14 are invalid)	127d
Set Command Lock	0 1	FD A[2]	1 0	1 0	1 0	1 1	1 0	1 A2	0 1	1 0	A[2] = 0; Unlock OLED to enable commands A[2] = 1; Lock OLED from entering commands	0x12

For detailed instruction information, view full SSD1322 datasheet here (pages 32-47):

http://www.newhavendisplay.com/app_notes/SSD1322.pdf

MPU Interface

6800-MPU Parallel Interface

The parallel interface consists of 8 bi-directional data pins, R/W, D/C, E, and /CS.

A LOW on R/W indicates write operation, and HIGH on R/W indicates read operation.

A LOW on D/C indicates “Command” read or write, and HIGH on D/C indicates “Data” read or write.

The E input serves as data latch signal, while /CS is LOW. Data is latched at the falling edge of E signal.

Function	E	R/W	/CS	D/C
Write Command	↓	0	0	0
Read Status	↓	1	0	0
Write Data	↓	0	0	1
Read Data	↓	1	0	1

8080-MPU Parallel Interface

The parallel interface consists of 8 bi-directional data pins, /RD, /WR, D/C, and /CS.

A LOW on D/C indicates “Command” read or write, and HIGH on D/C indicates “Data” read or write.

A rising edge of /RS input serves as a data read latch signal while /CS is LOW.

A rising edge of /WR input serves as a data/command write latch signal while /CS is LOW.

Function	/RD	/WR	/CS	D/C
Write Command	1	↑	0	0
Read Status	↑	1	0	0
Write Data	1	↑	0	1
Read Data	↑	1	0	1

Serial Interface (4-wire)

The 4-wire serial interface consists of Serial Clock (SCLK), Serial Data (SDIN), Data/Command (D/C), and Chip Select (/CS). D0 acts as SCLK and D1 acts as SDIN. D2 must be left as a No Connect D3~D7, E, and R/W should be connected to GND.

Function	/RD	/WR	/CS	D/C	D0
Write Command	Tie LOW	Tie LOW	0	0	↑
Write Data	Tie LOW	Tie LOW	0	1	↑

SDIN is shifted into an 8-bit shift register on every rising edge of SCLK in the order of D7, D6,...D0.

D/C is sampled on every eighth clock and the data byte in the shift register is written to the GDDRAM or command register in the same clock.

Note: Read functionality is not available in serial mode.

Serial Interface (3-wire)

The 3-wire serial interface consists of Serial Clock (SCLK), Serial Data In (SDIN), and Chip Select (/CS). D0 acts as SCLK and D1 acts as SDIN. D2 must be left as a No Connect. D3~D7, E, R/W, and D/C should be connected to Ground.

Function	/RD	/WR	/CS	D/C	D0
Write Command	Tie LOW	Tie LOW	0	Tie LOW	↑
Write Data	Tie LOW	Tie LOW	0	Tie LOW	↑

SDIN is shifted into an 9-bit shift register on every rising edge of SCLK in the order of D/C, D7, D6,...D0. D/C (first bit of the sequential data) will determine if the following data byte is written to the Display Data RAM (D/C = 1) or the command register (D/C = 0).

Note: Read functionality is not available in serial mode.

For detailed timing information for each interface mode, view full SSD1322 datasheet here (pages 50-54):
http://www.newhavendisplay.com/app_notes/SSD1322.pdf

Recommended Initialization

```
void NHD12864WDY3_Init(void){
    digitalWrite(RES, LOW);           //pull /RES (pin #16) low
    delayUS(200);                     //keep /RES low for minimum 200µs
    digitalWrite(RES, HIGH);         //pull /RES high
    delayUS(200);                     //wait minimum 200µs before sending commands
    writeCommand(0xAE);               //display OFF
    writeCommand(0xB3);               //set CLK div. & OSC freq.
    writeData(0x91);
    writeCommand(0xCA);               //set MUX ratio
    writeData(0x3F);
    writeCommand(0xA2);               //set offset
    writeData(0x00);
    writeCommand(0xAB);               //function selection
    writeData(0x01);
    writeCommand(0xA0);               //set re-map
    writeData(0x16);
    writeData(0x11);
    writeCommand(0xC7);               //master contrast current
    writeData(0x0F);
    writeCommand(0xC1);               //set contrast current
    writeData(0x9F);
    writeCommand(0xB1);               //set phase length
    writeData(0xF2);
    writeCommand(0xBB);               //set pre-charge voltage
    writeData(0x1F);
    writeCommand(0xB4);               //set VSL
    writeData(0xA0);
    writeData(0xFD);
    writeCommand(0xBE);               //set VCOMH
    writeData(0x04);
    writeCommand(0xA6);               //set display mode
    writeCommand(0xAF);               //display ON
}
```

Example Software Routines

```
void setColumn(unsigned char xStart, unsigned char xEnd){
    writeCommand(0x15);    //set column (x-axis) start/end address
    writeData(xStart);    //column start; 28 is left-most column
    writeData(xEnd);      //column end; 91 is right-most column
}

void setRow(unsigned char yStart, unsigned char yEnd){
    writeCommand(0x75);    //set row (y-axis) start/end address
    writeData(yStart);    //row start; 0 is top row
    writeData(yEnd);      //row end; 63 is bottom row
}

void clearDisplay(void){
    unsigned int i;
    setColumn(28,91);     //set column (x-axis) start/end address
    setRow(0,63);        //set row (y-axis) start/end address
    writeRAM();          //single byte command (0x5C) to initiate pixel data write to GDDRAM;
    for(i=0;i<4096;i++){ // ((91-28)+1)*((63-0)+1)
        writeData(0x00);
        writeData(0x00);
    }
}

void write2Pixels(unsigned char xPos, unsigned char yPos, unsigned char pixel1, unsigned char pixel2){
    if(pixel1>=1) pixel1 = 0xFF;    //set 1st pixel value to ON
    else pixel1 = 0x00;            //set 1st pixel value to OFF
    if(pixel2>=1) pixel2 = 0xFF;    //set 2nd pixel value to ON
    else pixel2 = 0x00;            //set 2nd pixel value to OFF
    if(xPos>127) xPos = 127;       //boundary check (MIN xPos = 0, MAX xPos = 127)
    xPos = xPos/2;                //account for GDDRAM address mapping
    xPos+=28;                     //account for GDDRAM address mapping
    if(yPos>63) yPos = 63;        //boundary check (MIN yPos = 0, MAX yPos = 63)
    setColumn(xPos,xPos);         //set column (x-axis) start/end address
    setRow(yPos,yPos);            //set row (y-axis) start/end address
    writeRAM();                   //single byte command (0x5C) to initiate pixel data write to GDDRAM;
    writeData(pixel1);            //write 1st of 2 pixels to the display
    writeData(pixel2);            //write 2nd of 2 pixels to the display
}

void displayArray12864(const unsigned char arr[]){ //display 128x64 monochrome bitmap, horizontal pixel arrangement, 8-pixels per byte
    unsigned int i, j;
    setColumn(28,91);            //set column (x-axis) start/end address
    setRow(0,63);                //set row (y-axis) start/end address
    writeRAM();                  //single byte command (0x5C) to initiate pixel data write to GDDRAM;
    for(i=0;i<1024;i++){        //translate each byte/bit into pixel data
        for(j=0;j<8;j++){
            if(((arr[i]<<j)&0x80)==0x80){
                writeData(0xFF);
            }
            else{
                writeData(0x00);
            }
        }
    }
}
```

Quality Information

Test Item	Content of Test	Test Condition	Note
High Temperature storage	Test the endurance of the display at high storage temperature.	+85°C, 240hrs	2
Low Temperature storage	Test the endurance of the display at low storage temperature.	-40°C, 240hrs	1,2
High Temperature Operation	Test the endurance of the display by applying electric stress (voltage & current) at high temperature.	+85°C, 240hrs	2
Low Temperature Operation	Test the endurance of the display by applying electric stress (voltage & current) at low temperature.	-40°C, 240hrs	1,2
High Temperature / Humidity Operation	Test the endurance of the display by applying electric stress (voltage & current) at high temperature with high humidity.	+60°C, 90% RH, 240hrs	1,2
Thermal Shock resistance	Test the endurance of the display by applying electric stress (voltage & current) during a cycle of low and high temperatures.	-40°C, 30min -> +25°C, 5min -> +85°C, 30min = 1 cycle 100 cycles	
Vibration test	Test the endurance of the display by applying vibration to simulate transportation and use.	10-22Hz, 15mm amplitude. 22-500Hz, 1.5G 30min in each of 3 directions X,Y,Z	3
Atmospheric Pressure test	Test the endurance of the display by applying atmospheric pressure to simulate transportation by air.	115mbar, 40hrs	3
Static electricity test	Test the endurance of the display by applying electric static discharge.	VS=800V, RS=1.5kΩ, CS=100pF One time	

Note 1: No condensation to be observed.

Note 2: Conducted after 2 hours of storage at 25°C, 0%RH.

Note 3: Test performed on product itself, not inside a container.

Evaluation Criteria:

- 1: Display is fully functional during operational tests and after all tests, at room temperature.
- 2: No observable defects.
- 3: Luminance >50% of initial value.
- 4: Current consumption within 50% of initial value

Precautions for using OLEDs/LCDs/LCMs

See Precautions at www.newhavendisplay.com/specs/precautions.pdf

Warranty Information

See Terms & Conditions at http://www.newhavendisplay.com/index.php?main_page=terms