

NHD-1.8-128160EF-CTXI#-FT

TFT (Thin-Film Transistor) Liquid Crystal Display Module

| | |
|---------|-------------------------------------|
| NHD- | Newhaven Display |
| 1.8- | 1.8" Diagonal |
| 128160- | 128 x 160 Pixels (Portrait Mode) |
| EF- | Model |
| C- | Built-in Controller |
| T- | White LED Backlight |
| X- | TFT |
| I- | 6:00 Optimal View, Wide Temperature |
| #- | RoHS Compliant |
| F- | FFC ZIF Connection Style |
| T- | 4-wire Resistive Touch Panel |

Newhaven Display International, Inc.

2661 Galvin Ct.

Elgin IL, 60124

Ph: 847-844-8795

Fax: 847-844-8796

www.newhavendisplay.com

nhtech@newhavendisplay.com

nhsales@newhavendisplay.com

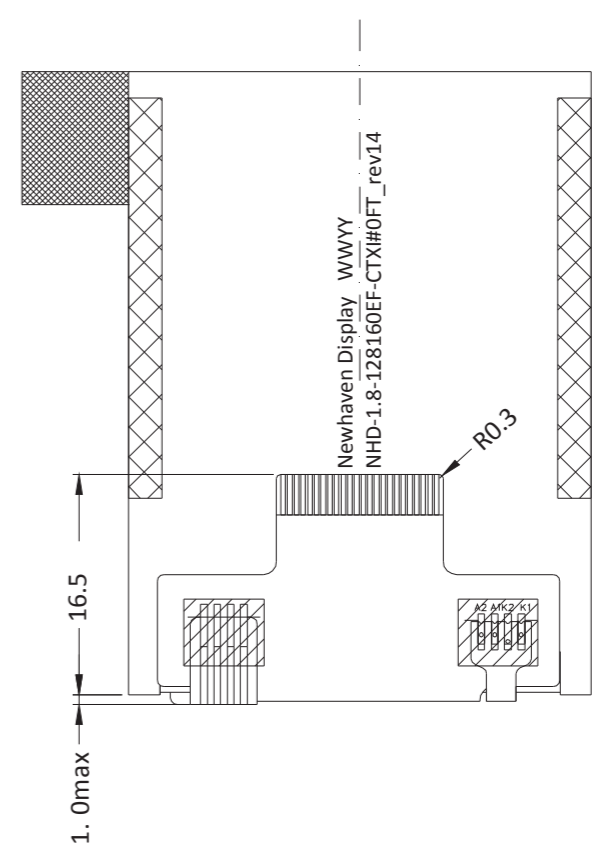
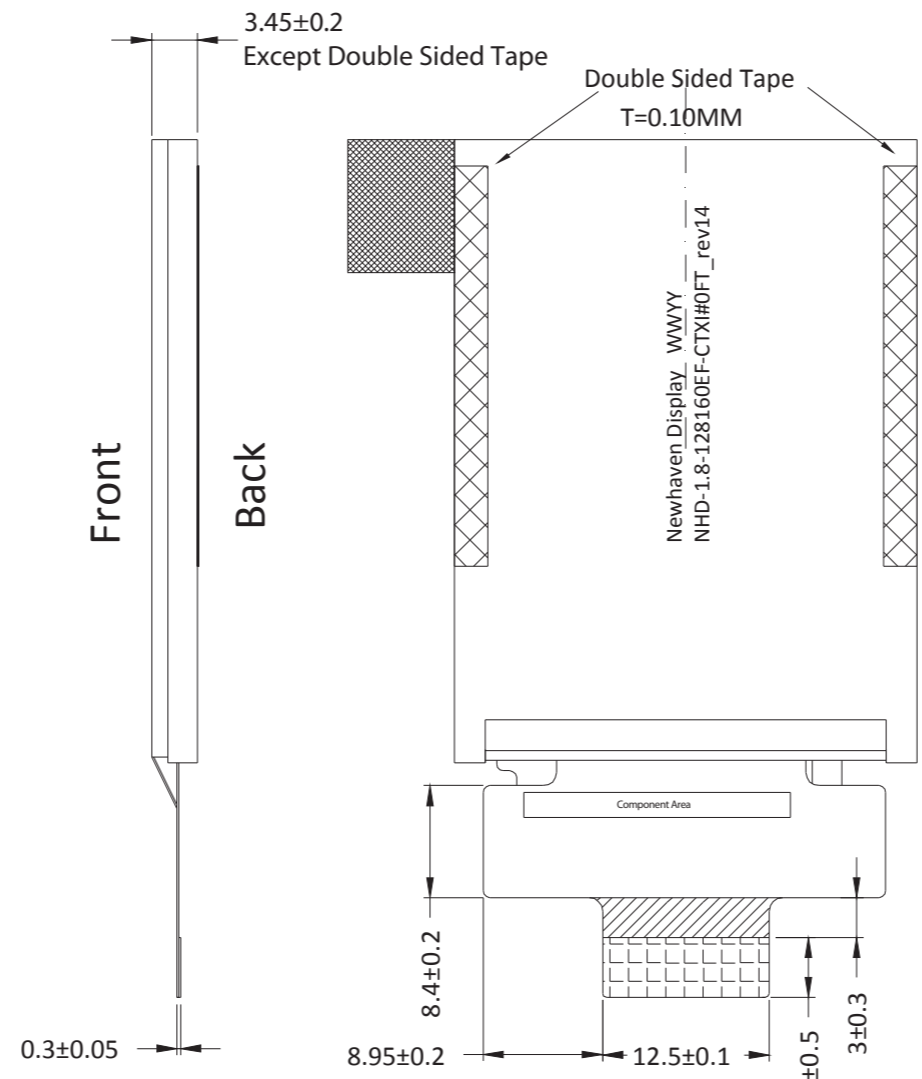
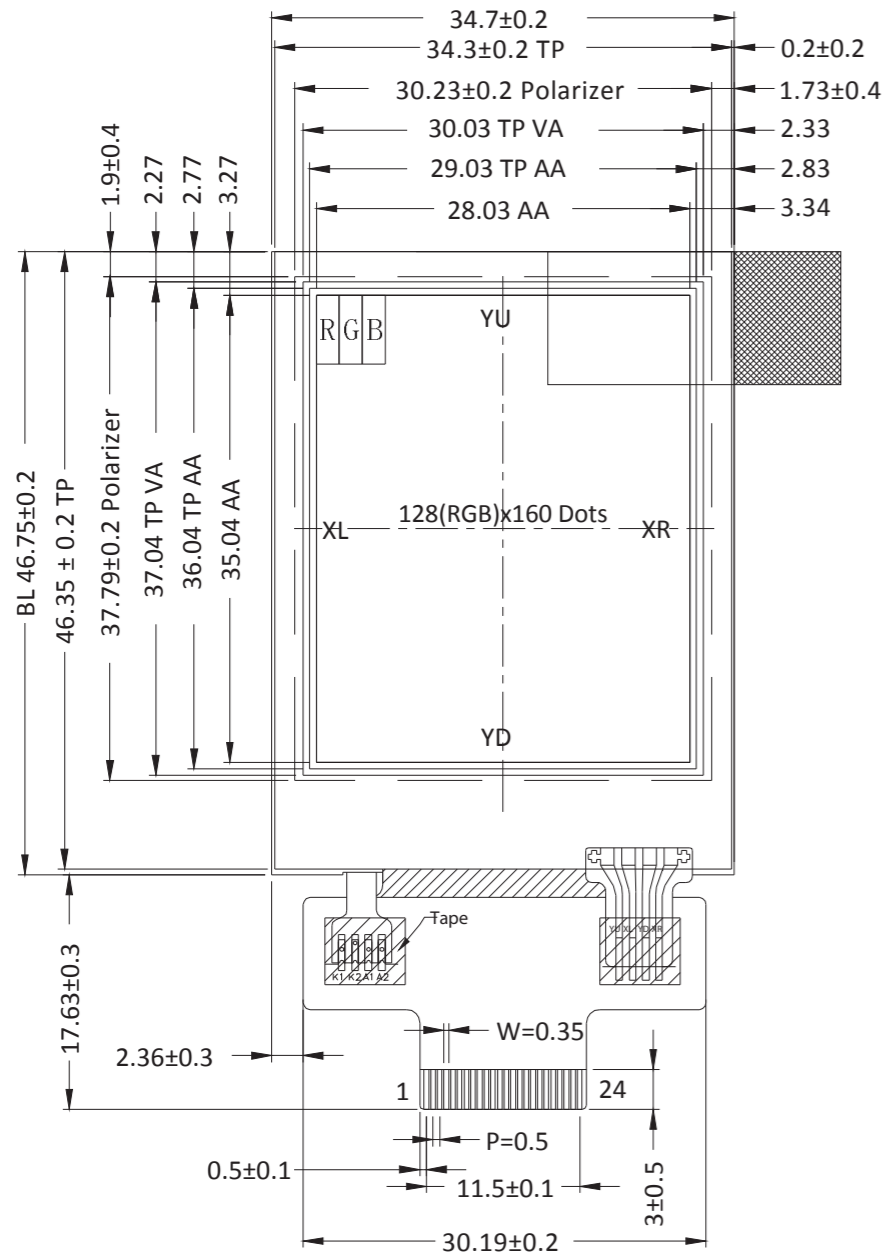
Document Revision History

| Revision | Date | Description | Changed by |
|----------|-----------|--|------------|
| 0 | 9/11/2013 | Initial Release | AK |
| 1 | 8/12/16 | Datasheet Reformat | SB |
| 2 | 9/26/18 | Mechanical Drawing, Backlight Characteristics & Supply Current Updated | SB |

Functions and Features

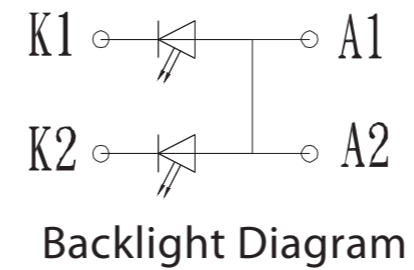
- 128 x 160 pixels (portrait mode)
- LED backlight
- 2.8V power supply
- 8-bit Parallel interface
- Built-in ILI9163C controller
- 4-wire Resistive touch panel

| SYMBOL | REVISION | DATE |
|--------|----------|------|
| | | |



| No: | PIN NAME |
|-----|------------|
| 1 | GND |
| 2 | IOVCC 1.8V |
| 3 | VCC 2.8V |
| 4 | CSB |
| 5 | RST |
| 6 | RS |
| 7 | WRB |
| 8 | RDB |
| 9 | DB0 |
| 10 | DB1 |
| 11 | DB2 |
| 12 | DB3 |
| 13 | DB4 |
| 14 | DB5 |
| 15 | DB6 |
| 16 | DB7 |
| 17 | BL_A |
| 18 | BL_K1 |
| 19 | BL_K2 |
| 20 | GND |
| 21 | YU |
| 22 | XL |
| 23 | YD |
| 24 | XR |

- NOTES:**
1. Display Size: 1.77" TFT
 2. Optimal View: 6:00
 3. Display Mode: Transmissive / Normally White / Anti-Glare
 4. Power Supply Voltage: 2.8V
 5. Driver IC: ILI9163C
 6. Backlight: White LED / 3.2 V (Typ) / 30 mA
 7. Luminance: 280 cd/m² (Typ)
 8. Touch Panel: 4-Wire Resistive

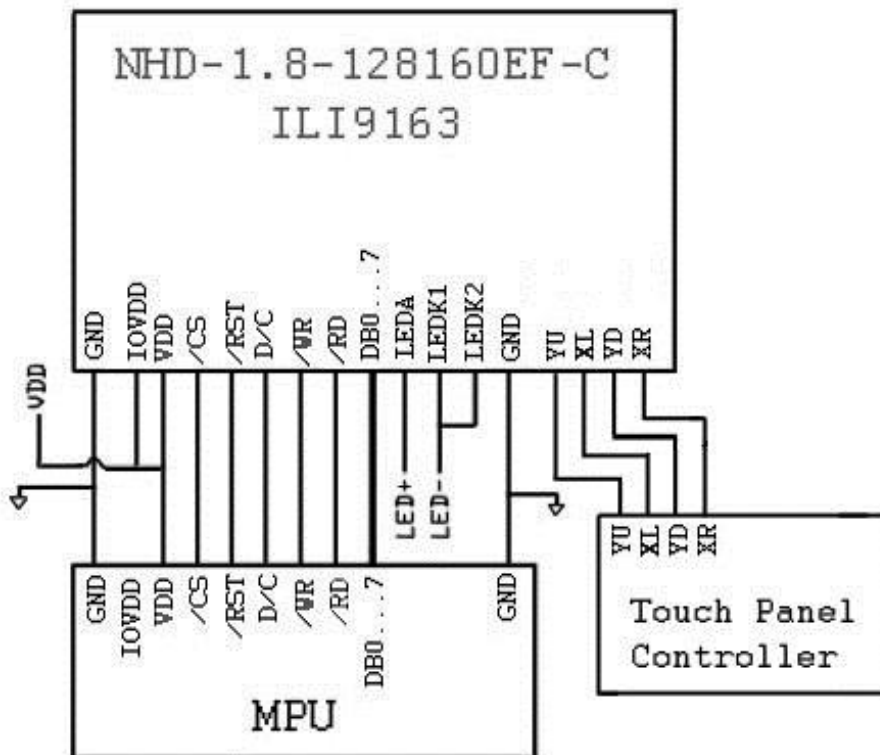


| | | | |
|---|--|---|---|
| STANDARD TOLERANCES (UNLESS OTHERWISE SPECIFIED) LINEAR: XX. ±0.3 mm XX.X ±0.3 mm XX.XX ±0.3 mm | NEWHAVEN DISPLAY INTERNATIONAL | | REVISION: 14 |
| | DRAWING/PART NUMBER: NHD-1.8-128160EF-CTXI#-FT | | SIZE: A3 |
| UNLESS OTHERWISE SPECIFIED - DIMENSIONS ARE IN MILLIMETERS - THIRD ANGLE PROJECTION | DRAWN BY: S. Baxi DRAWN DATE: 09/26/18 | CHECKED BY: S. Baxi CHECKED DATE: 09/26/18 | APPROVED BY: S. Baxi APPROVED DATE: 09/26/18 |
| DO NOT SCALE DRAWING | | | SCALE: NS |
| THIS DRAWING IS SOLELY THE PROPERTY OF NEWHAVEN DISPLAY INTERNATIONAL, INC. THE INFORMATION IT CONTAINS IS NOT TO BE DISCLOSED, REPRODUCED OR COPIED IN WHOLE OR PART WITHOUT WRITTEN APPROVAL FROM NEWHAVEN DISPLAY. | | | |

Pin Description and Wiring Diagram

| Pin No. | Symbol | External Connection | Function Description |
|---------|--------|---------------------|--|
| 1 | GND | Power Supply | Ground |
| 2 | IOVDD | Power Supply | Supply Voltage for Logic (2.8V) – Can be tied to VDD |
| 3 | VDD | Power Supply | Power Supply for LCD (2.8V) |
| 4 | /CS | MPU | Active LOW Chip Select signal |
| 5 | /RST | MPU | Active LOW Reset signal |
| 6 | D/C | MPU | Data / Command selection: '1' = Data; '0' = Command |
| 7 | /WR | MPU | Active LOW Write signal |
| 8 | /RD | MPU | Active LOW Read signal |
| 9 | DB0 | MPU | 8-bit bi-directional data bus |
| 10 | DB1 | MPU | |
| 11 | DB2 | MPU | |
| 12 | DB3 | MPU | |
| 13 | DB4 | MPU | |
| 14 | DB5 | MPU | |
| 15 | DB6 | MPU | |
| 16 | DB7 | MPU | |
| 17 | LED-A | Power Supply | Backlight Anode (3.2V) |
| 18 | LED-K1 | Power Supply | Backlight Cathode (Ground) |
| 19 | LED-K2 | Power Supply | Backlight Cathode (Ground) |
| 20 | GND | Power Supply | Ground |
| 21 | YU | Touch Controller | Touch Panel Up |
| 22 | XL | Touch Controller | Touch Panel Left |
| 23 | YD | Touch Controller | Touch Panel Down |
| 24 | XR | Touch Controller | Touch Panel Right |

LCD connector: 24pin 0.5mm FFC connector. Molex P/N: 52435-2471



Electrical Characteristics

| Item | Symbol | Condition | Min. | Typ. | Max. | Unit |
|-----------------------------|-------------------|--|-----------------------|--------|-----------------------|------|
| Operating Temperature Range | T _{OP} | Absolute Max | -20 | - | +70 | °C |
| Storage Temperature Range | T _{ST} | Absolute Max | -30 | - | +80 | °C |
| Supply Voltage for Logic | IOV _{DD} | - | 1.65 | 2.8 | 3.3 | V |
| Supply Voltage for LCD | V _{DD} | - | 2.5 | 2.8 | 3.3 | V |
| Supply Current | I _{DD} | V _{DD} = 2.8V | 1 | 3 | 5 | mA |
| "H" Level input | V _{IH} | - | 0.7*IOV _{DD} | - | IOV _{DD} | V |
| "L" Level input | V _{OH} | - | GND | - | 0.3*IOV _{DD} | V |
| "H" Level output | V _{IL} | - | 0.8*IOV _{DD} | - | IOV _{DD} | V |
| "L" Level output | V _{OH} | - | GND | - | 0.2*IOV _{DD} | V |
| Backlight Supply Current | I _{LED} | - | - | 30 | 40 | mA |
| Backlight Supply Voltage | V _{LED} | I _{LED} = 30 mA | 2.8 | 3.1 | 3.3 | V |
| Backlight Lifetime* | - | I _{LED} = 30 mA T _{OP} = 25°C | 20,000 | 50,000 | - | Hrs. |

*Backlight Lifetime is rated as hours until **Half-Brightness**, under normal operating conditions.

Optical Characteristics

| Item | Symbol | Condition | Min. | Typ. | Max. | Unit |
|-----------------------------|--------------------------------|-------------------------|------|------|------|-------------------|
| Optimal Viewing Angle | Top | CR ≥ 10 | - | 20 | - | ° |
| | Bottom | | - | 50 | - | ° |
| | Left | | - | 45 | - | ° |
| | Right | | - | 45 | - | ° |
| Contrast Ratio | CR | - | 400 | 500 | - | - |
| Luminance | L _V | I _{LED} = 30mA | 220 | 280 | - | cd/m ² |
| Response Time (Rise + Fall) | T _R +T _F | T _{OP} = 25°C | - | 20 | 30 | ms |

Touch Panel Characteristics

| Item | Min. | Typ. | Max. | Unit |
|-----------------------------|-----------|------|------|------------|
| Linearity | -1.5 | - | 1.5 | % |
| Circuit Resistance – X-Axis | 150 | - | 550 | Ω |
| Circuit Resistance – Y-Axis | 250 | - | 800 | Ω |
| Insulation Resistance | 20 | - | - | MΩ |
| Operating Voltage | - | 5 | 10 | V |
| Chattering | - | - | 10 | ms |
| Activation Force | 20 | - | 80 | g |
| Pen Writing Durability | 100,000 | - | - | Characters |
| Pitting Durability | 1,000,000 | - | - | Touches |
| Surface Hardness | 3 | - | - | H |

Controller Information

Built-in ILI9163C controller.

Please download specification at http://www.newhavendisplay.com/app_notes/ILI9163.pdf

Table of Commands

| Hex Code | Command | Description | Number of Parameters | Display Architecture Implementation Requirement | | |
|----------|-----------------------|---|----------------------|---|--------|--------|
| | | | | Type 1 | Type 2 | Type 3 |
| 00h | nop | No Operation | 0 | Yes | Yes | Yes |
| 01h | soft_reset | Software Reset | 0 | Yes | Yes | Yes |
| 06h | get_red_channel | Get the red component of the pixel at (0, 0). | 1 | No | Yes | Yes |
| 07h | get_green_channel | Get the green component of the pixel at (0, 0). | 1 | No | Yes | Yes |
| 08h | get_blue_channel | Get the blue component of the pixel at (0, 0). | 1 | No | Yes | Yes |
| 0Ch | get_pixel_format | Get the current pixel format. | 1 | Yes | Yes | Yes |
| 0Ah | get_power_mode | Get the current power mode. | 1 | Yes | Yes | Yes |
| 0Bh | get_address_mode | Get the frame memory to the display panel read order. | 1 | Yes | Yes | Yes |
| 0Dh | get_display_mode | Get the current display mode from the peripheral. | 1 | Yes | Yes | Yes |
| 0Eh | get_signal_mode | Get display module signaling mode. | 1 | Yes | Yes | Yes |
| 0Fh | get_diagnostic_result | Get Peripheral Self-Diagnostic Result | 1 | Yes | Yes | Yes |
| 10h | enter_sleep_mode | Power for the display panel is off. | 0 | Yes | Yes | Yes |
| 11h | exit_sleep_mode | Power for the display panel is on. | 0 | Yes | Yes | Yes |
| 12h | enter_partial_mode | Part of the display area is used for image display. | 0 | Yes | Yes | No |
| 13h | enter_normal_mode | The whole display area is used for image display. | 0 | Yes | Yes | No |
| 20h | exit_invert_mode | Displayed image colors are not inverted. | 0 | Yes | Yes | Yes |
| 21h | enter_invert_mode | Displayed image colors are inverted. | 0 | Yes | Yes | Yes |
| 26h | set_gamma_curve | Selects the gamma curve used by the display device. | 1 | Yes | Yes | Yes |
| 28h | set_display_off | Blanks the display device. | 0 | Yes | Yes | Yes |
| 29h | set_display_on | Show the image on the display device. | 0 | Yes | Yes | Yes |
| 2Ah | set_column_address | Set the column extent. | 4 | Yes | Yes | No |
| 2Bh | set_page_address | Set the page extent. | 4 | Yes | Yes | No |
| 2Ch | write_memory_start | Transfer image data from the Host Processor to the peripheral starting at the location provided by set_column_address and set_page_address. | Variable | Yes | Yes | No |
| 2Dh | write_LUT | Fills the peripheral look-up table with the provided data. | Variable | optional | No | No |
| 2Eh | read_memory_start | Transfer image data from the peripheral to the Host Processor interface starting at the location provided by set_column_address and set_page_address. | Variable | Yes | Yes | No |
| 30h | set_partial_area | Defines the partial display area on the display device. | 4 | Yes | Yes | No |
| 33h | set_scroll_area | Defines the vertical scrolling and fixed area on display device. | 6 | Yes | No | No |
| 34h | set_tear_off | Synchronization information is not sent from the display module to the host processor. | 0 | Yes | No | No |
| 35h | set_tear_on | Synchronization information is sent from the display module to the host processor at the start of VFP. | 1 | Yes | No | No |

| | | | | | | |
|-----|-----------------------|--|----------|-----|-----|-----|
| 36h | set_address_mode | Set the read order from frame memory to the display panel. | 1 | Yes | Yes | Yes |
| 37h | set_scroll_start | Defines the vertical scrolling starting point. | 2 | Yes | No | No |
| 38h | exit_idle_mode | Full color depth is used on the display panel. | 0 | Yes | No | No |
| 39h | enter_idle_mode | Reduced color depth is used on the display panel. | 0 | Yes | No | No |
| 3Ah | set_pixel_format | Defines how many bits per pixel are used in the interface. | 1 | Yes | Yes | Yes |
| 3Ch | write_memory_continue | Transfer image information from the Host Processor interface to the peripheral from the last written location. | Variable | Yes | Yes | No |
| 3Eh | read_memory_continue | Read image data from the peripheral continuing after the last read_memory_continue or read_memory_start. | Variable | Yes | Yes | No |
| 44h | set_tear_scanline | Synchronization information is sent from the display module to the host processor when the display device refresh reaches the provided scanline. | 2 | Yes | No | No |
| 45h | get_scanline | Get the current scanline. | 2 | Yes | Yes | No |
| Dah | Read ID1 | | | | | |
| DBh | Read ID2 | | | | | |
| DCh | Read ID3 | | | | | |

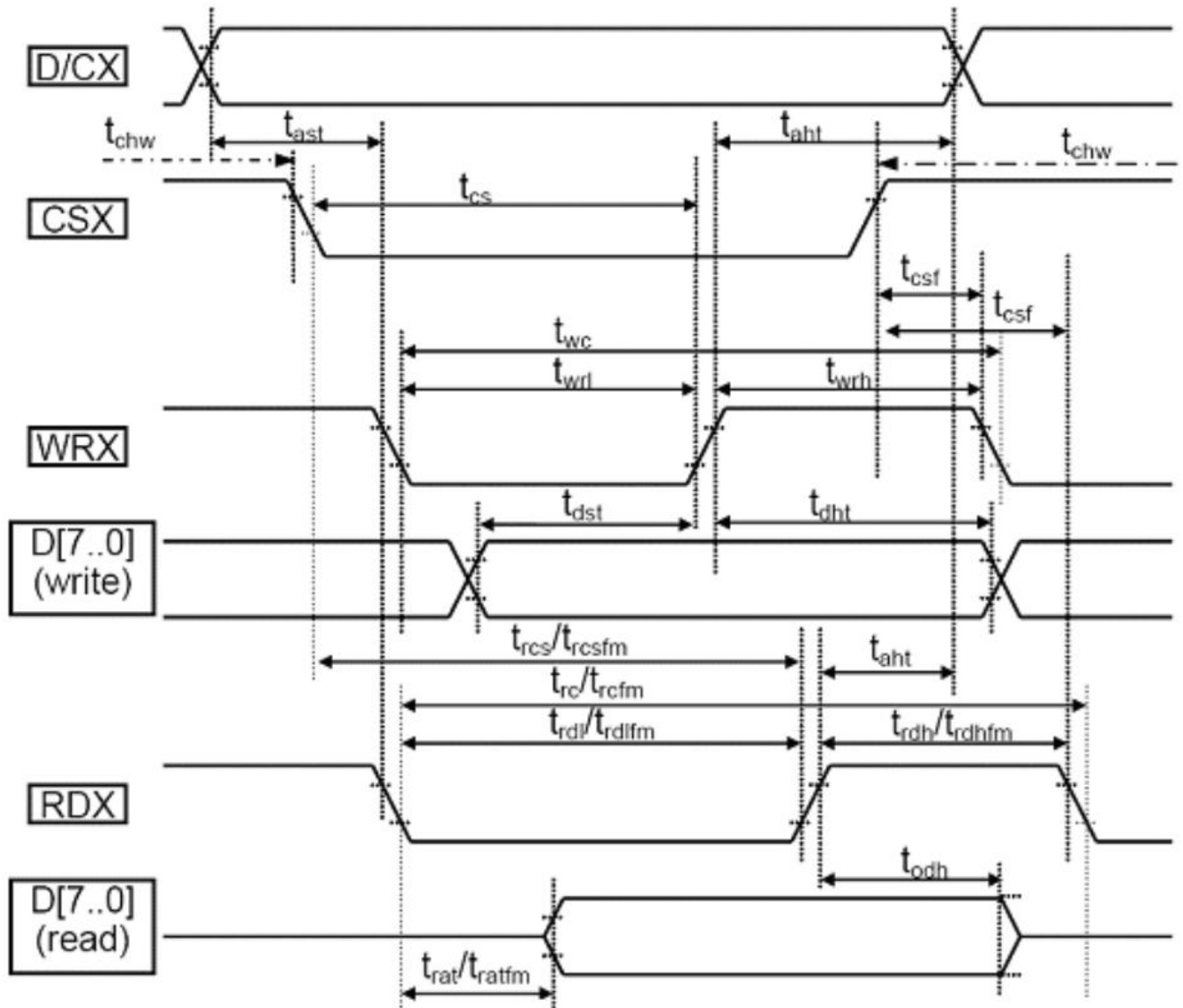
Notes:

1. There will be no abnormal visible effects on the display when S/W or H/W Reset are applied.
2. After Powered-On Reset finishes within 10 μ s after both VDD & VDDI are applied.
3. Mode 1 means Tearing Effect Output Line consists of V-Blanking Information only.

For Command Descriptions, please see: http://www.newhavendisplay.com/app_notes/ILI9163.pdf

Timing Characteristics

Parallel 8-bit Bus



Note: Logic high and low levels are specified as 30% and 70% of VDDI for Input signals.

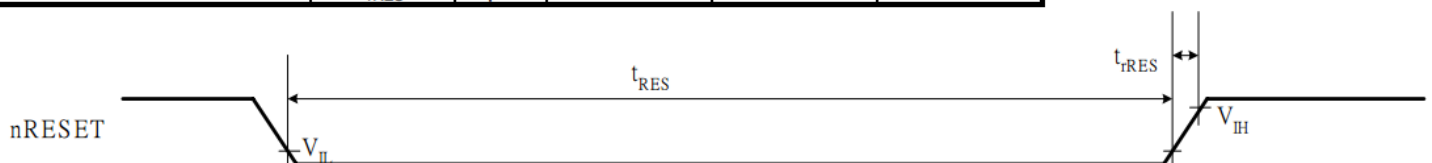
| Signal | Symbol | Parameter | min | max | unit | description |
|----------|--------|-----------------------------------|-----|-----|------|-----------------------------|
| D/CX | tast | Address setup time | 0 | | ns | |
| | taht | Address hold time(Write/Read) | 10 | | ns | |
| CSX | tchw | "S""H" Pulse Width | 0 | | ns | |
| | tcs | Chip Select setup time (Write) | 10 | | ns | |
| | trcs | Chip Select setup time (Read ID) | 45 | | ns | |
| | trcsfm | Chip Select setup time (Read FM) | 355 | | ns | |
| | tcsf | Chip Select Wait time(Write/read) | 10 | | ns | |
| WRX | twc | Write cycle | 66 | | ns | |
| | twrh | Controlpulse H duration | 15 | | ns | |
| | twrl | Control pulse L duration | 15 | | ns | |
| RDX | trc | Read cycle (ID) | 160 | | ns | When read ID data |
| | trdh | Control pulse H duration(ID) | 90 | | ns | |
| | trdl | Control pulse L duration(ID) | 45 | | ns | |
| RDX | trcfm | Read cycle (FM) | 450 | | ns | When read from frame memory |
| | trdhfm | Control pulse H duration (FM) | 90 | | ns | |
| | trdlfm | Control pulse L duration (FM) | 355 | | ns | |
| D[17..0] | tdst | Data setup time | 10 | | ns | For maximum CL = 30pF |
| | tdht | Data hold time | 10 | | ns | |
| | trat | Read access time (ID) | | 40 | ns | For minimum CL = 8pF |
| | tratfm | Read access time (FM) | | 340 | ns | |
| | todh | Output disable time | 20 | 80 | ns | |

Note 1: VDDI 1.65 to 3.3V, VDD=2.6 to 3.3V, AGND=GND=0V, Ta=-30 to 70 °C (to +85°C no damage)

Note 2: This input signal rise time and fall time (tr, tf) is specified at 15 ns or less. Logic high and low levels are specified as 30% and 70% of VDDI for input signals

Reset Timing

| Item | Symbol | Unit | Min. | Typ. | Max. |
|-----------------------|------------|------|------|------|------|
| Reset low-level width | t_{RES} | ms | 1 | - | - |
| Reset rise time | t_{rRES} | µs | - | - | 10 |



Example Program Code

```
void TFT_18E_Init(void)
{
    GPIO_ResetBits(GPIOC, CS1);
    GPIO_SetBits(GPIOC, nRD);
    GPIO_ResetBits(GPIOC, nWR);
    GPIO_WriteBit(GPIOC, RES, Bit_RESET);
    delay(5);
    TFT_delay(10);
    GPIO_WriteBit(GPIOC, RES, Bit_SET);
    delay(100);
    TFT_delay(10);
    TFT_18E_Write_Command(0x11);
    TFT_delay(100);
    TFT_18E_Write_Command(0x26);TFT_18E_Write_Data(0x04);
    TFT_18E_Write_Command(0xF2);TFT_18E_Write_Data(0x00);
    TFT_18E_Write_Command(0xB1);TFT_18E_Write_Data(0x0A);TFT_18E_Write_Data(0x14);
    TFT_18E_Write_Command(0xC0);TFT_18E_Write_Data(0x0A);TFT_18E_Write_Data(0x00);
    TFT_18E_Write_Command(0xC1);TFT_18E_Write_Data(0x02);
    TFT_18E_Write_Command(0xC5);TFT_18E_Write_Data(0x2F);TFT_18E_Write_Data(0x3E);
    TFT_18E_Write_Command(0xC7);TFT_18E_Write_Data(0x40);
    TFT_18E_Write_Command(0x2A);
    TFT_18E_Write_Data(0x00);
    TFT_18E_Write_Data(0x00);
    TFT_18E_Write_Data(0x00);
    TFT_18E_Write_Data(0x7F);
    TFT_18E_Write_Command(0x2B);
    TFT_18E_Write_Data(0x00);
    TFT_18E_Write_Data(0x00);
    TFT_18E_Write_Data(0x00);
    TFT_18E_Write_Data(0x9F);
    TFT_18E_Write_Command(0x36);TFT_18E_Write_Data(0x48);
    TFT_18E_Write_Command(0x3A);TFT_18E_Write_Data(0xC5);
    TFT_18E_Write_Command(0x29);
    TFT_18E_Write_Command(0x2C);
}
/*****/
void TFT_18E_Write_Command(unsigned char command)
{
    GPIO_ResetBits(GPIOC, RS);
    GPIO_Write(GPIOB, command);
    GPIO_ResetBits(GPIOC, nWR);
    GPIO_SetBits(GPIOC, nWR);
}
/*****/
void TFT_18E_Write_Data(unsigned char data1)
{
    GPIO_SetBits(GPIOC, RS);
    GPIO_Write(GPIOB, data1);
    GPIO_ResetBits(GPIOC, nWR);
    GPIO_SetBits(GPIOC, nWR);
}
/*****/
```

Quality Information

| Test Item | Content of Test | Test Condition | Note |
|---------------------------------------|---|---|------|
| High Temperature storage | Endurance test applying the high storage temperature for a long time. | +80°C , 48hrs | 2 |
| Low Temperature storage | Endurance test applying the low storage temperature for a long time. | -30°C , 48hrs | 1,2 |
| High Temperature Operation | Endurance test applying the electric stress (voltage & current) and the high thermal stress for a long time. | +70°C , 48hrs | 2 |
| Low Temperature Operation | Endurance test applying the electric stress (voltage & current) and the low thermal stress for a long time. | -20°C , 48hrs | 1,2 |
| High Temperature / Humidity Operation | Endurance test applying the electric stress (voltage & current) and the high thermal with high humidity stress for a long time. | +50°C , 90% RH , 48hrs | 1,2 |
| Thermal Shock resistance | Endurance test applying the electric stress (voltage & current) during a cycle of low and high thermal stress. | -20°C 30 min ~ +70°C 30 min, 10 cycles | |
| Vibration test | Endurance test applying vibration to simulate transportation and use. | 10-55Hz , 1.5mm amplitude. 2 hours in each of 3 directions X,Y,Z. For 6 hours total | 3 |
| Static electricity test | Endurance test applying electric static discharge. | VS=4KV, RS=330Ω, CS=150pF Five times | |

Note 1: No condensation to be observed.

Note 2: Conducted after 4 hours of storage at 25°C, 0%RH.

Note 3: Test performed on product itself, not inside a container.

Precautions for using LCDs/LCMs

See Precautions at www.newhavendisplay.com/specs/precautions.pdf

Warranty Information

See Terms & Conditions at http://www.newhavendisplay.com/index.php?main_page=terms