

DLM11GN601SD2#

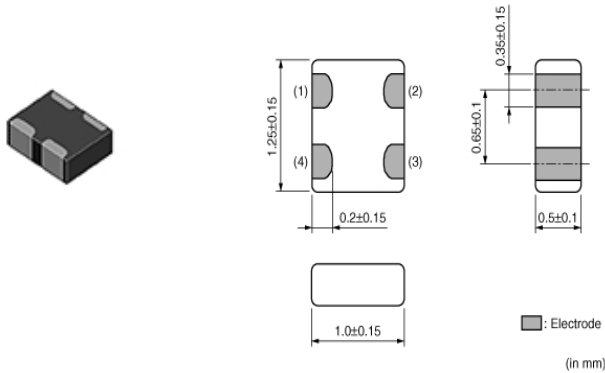
“#” indicates a package specification code.



< List of part numbers with package codes >

DLM11GN601SD2B DLM11GN601SD2D

Appearance & Shape



Features

Small size chip common mode choke coil.
Suitable for noise suppression at audio line of mobile phones.

Features

1. Small size: 1.25x1.0x0.5mm
2. Suitable for noise suppression for personal mobile equipment
3. Effective to both differential mode and common mode noise.
Common mode impedance:
600 ohm at 100MHz (typ.)
Differential mode impedance:
1200Ω at 100MHz (Typ. DLM11GN601SZ2)
1300Ω at 100MHz (Typ. DLM11GN601SD2)
4. Available for high density mounting (Narrow pitch)
5. SD2 type is ideal to keep low distortion audio signal.

Applications

| | |
|-------------|-------------|
| Other Usage | For general |
|-------------|-------------|

Applications

1. Audio line for mobile phones
(Microphones, Speakers, Headphones)
2. Handsets
3. Personal mobile equipment
(PDAs, Digital still cameras, Digital audio players)

Packaging Information

| Packaging | Specifications | Standard Packing Quantity |
|-----------|------------------|---------------------------|
| B | Bulk(Bag) | 1000 |
| D | 180mm Paper Tape | 10000 |

Attention

1. This datasheet is downloaded from the website of Murata Manufacturing Co., Ltd. Therefore, its specifications are subject to change or our products in it may be discontinued without advance notice. Please check with our sales representatives or product engineers before ordering.
2. This datasheet has only typical specifications because there is no space for detailed specifications.
Therefore, please review our product specifications or consult the approval sheet for product specifications before ordering.

DLM11GN601SD2#

“#” indicates a package specification code.



Specifications

| | |
|----------------------------------------------------------------|---------------|
| Shape | SMD |
| Size Code (in mm) | 1210 |
| Size Code (in inch) | 0504 |
| Length | 1.25mm |
| Length Tolerance | ±0.15mm |
| Width | 1.0mm |
| Width Tolerance | ±0.15mm |
| Thickness | 0.5mm |
| Thickness Tolerance | ±0.1mm |
| Common Mode Impedance (at 100MHz) | 600Ω |
| Common Mode Impedance (at 100MHz) Tolerance | ±25% |
| Rated Current | 100mA |
| Derating of Rated Current | No |
| Rated Voltage | 5Vdc |
| Withstanding Voltage | 25Vdc |
| DC Resistance(max.) | 0.8Ω |
| DC Resistance | 0.8Ω max. |
| Insulation Resistance(min.) | 100MΩ |
| Operating Temperature Range | -40°C to 85°C |
| Mass(typ.) | 0.004g |
| Number of Circuit | 1 |
| Operating Temperature Range(Self-temperature rise is included) | No |

Attention

1.This datasheet is downloaded from the website of Murata Manufacturing Co., Ltd. Therefore, it's specifications are subject to change or our products in it may be discontinued without advance notice. Please check with our sales representatives or product engineers before ordering.

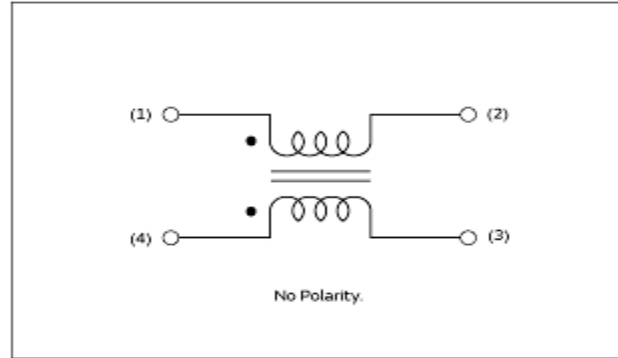
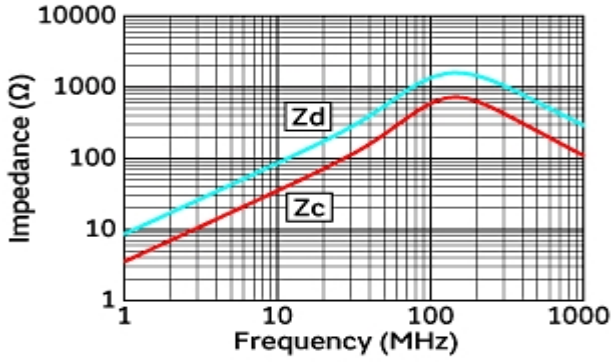
2.This datasheet has only typical specifications because there is no space for detailed specifications.

Therefore, please review our product specifications or consult the approval sheet for product specifications before ordering.

DLM11GN601SD2#

“#” indicates a package specification code.

Product Data



Impedance-Frequency Characteristics

Equivalent Circuit

Attention

- 1.This datasheet is downloaded from the website of Murata Manufacturing Co., Ltd. Therefore, it's specifications are subject to change or our products in it may be discontinued without advance notice. Please check with our sales representatives or product engineers before ordering.
- 2.This datasheet has only typical specifications because there is no space for detailed specifications. Therefore, please review our product specifications or consult the approval sheet for product specifications before ordering.