

# NFP0QSB132HL2#

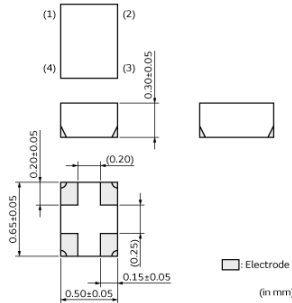
"#" indicates a package specification code.



< List of part numbers with package codes >

NFP0QSB132HL2D NFP0QSB132HL2B

## Appearance & Shape



## Features

1. Small size and tight dimensional tolerance  
Size: 0.65x0.50x0.30mm  
Tolerance: +/-0.05mm
2. Common mode noise suppression effect  
(The effect become maximum at 1.3GHz)
3. Prevents signal damaging in high speed differential lines.
4. Designed to match line impedance.

### Application

High speed differential signal lines.  
HDMI,DVI,DisplayPort,USB3.0 etc.

1. Note PCs
2. Cellular phones
3. Digital Still Cameras, Digital Video Cameras

## Applications

Other Usage	For general
-------------	-------------

## Packaging Information

Packaging	Specifications	Minimum Order Quantity
D	180mm Paper Tape	15000
B	Bulk(Bag)	500

### Attention

- 1.This datasheet is downloaded from the website of Murata Manufacturing Co., Ltd. Therefore, it's specifications are subject to change or our products in it may be discontinued without advance notice. Please check with our sales representatives or product engineers before ordering.
- 2.This datasheet has only typical specifications because there is no space for detailed specifications.  
Therefore, please review our product specifications or consult the approval sheet for product specifications before ordering.

# NFP0QSB132HL2#

“#” indicates a package specification code.



## Specifications

Shape	SMD	DC Resistance(max.)	2.6Ω
Size Code (in mm)	0605	DC Resistance	2.0Ω±30%
Size Code (in inch)	025020	Insulation Resistance(min.)	100MΩ
Length	0.65mm	Cut-off Frequency	7.5GHz (Typ.)
Length Tolerance	±0.05mm	Operating Temperature Range	-40°C to 85°C
Width	0.5mm	Mass(typ.)	0.456mg
Width Tolerance	±0.05mm	Number of Circuit	1
Thickness	0.3mm	Operating Temperature Range(Self-temperature rise is included)	No
Thickness Tolerance	±0.05mm		
Common Mode Impedance (at 100MHz)	90Ω		
Common Mode Impedance (at 100MHz) Tolerance	(Typ.)		
Common Mode Insertion Loss Characteristic	20dB Typ.(700MHz), 23dB Typ.(900MHz), 25dB Typ.(1.7GHz), 22dB Typ.(2.4GHz), 14dB Typ.(5.0GHz)		
Rated Current	100mA		
Derating of Rated Current	No		
Rated Voltage	5Vdc		
Withstanding Voltage	12.5Vdc		

### Attention

1.This datasheet is downloaded from the website of Murata Manufacturing Co., Ltd. Therefore, it's specifications are subject to change or our products in it may be discontinued without advance notice. Please check with our sales representatives or product engineers before ordering.

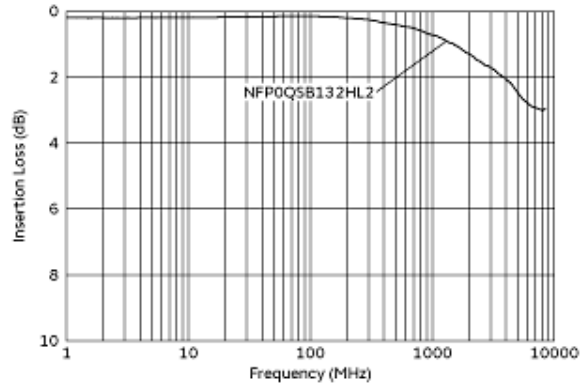
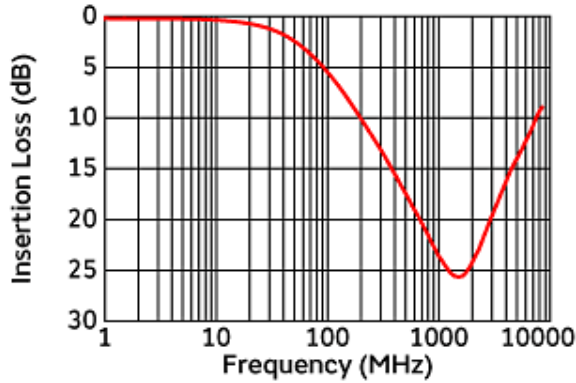
2.This datasheet has only typical specifications because there is no space for detailed specifications.

Therefore, please review our product specifications or consult the approval sheet for product specifications before ordering.

# NFP0QSB132HL2#

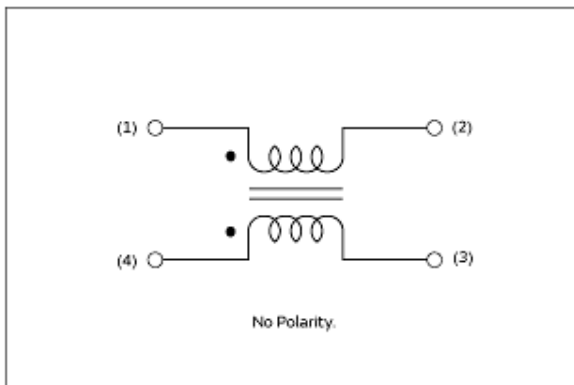
"#" indicates a package specification code.

## Product Data



Common Mode Insertion Loss Characteristic (Typical Value)

Differential Mode Transmission Characteristics (Typical Value)



Equivalent Circuit

**Attention**

1.This datasheet is downloaded from the website of Murata Manufacturing Co., Ltd. Therefore, it's specifications are subject to change or our products in it may be discontinued without advance notice. Please check with our sales representatives or product engineers before ordering.  
2.This datasheet has only typical specifications because there is no space for detailed specifications.  
Therefore, please review our product specifications or consult the approval sheet for product specifications before ordering.