

ATSM-49-R Surface Mount Crystals



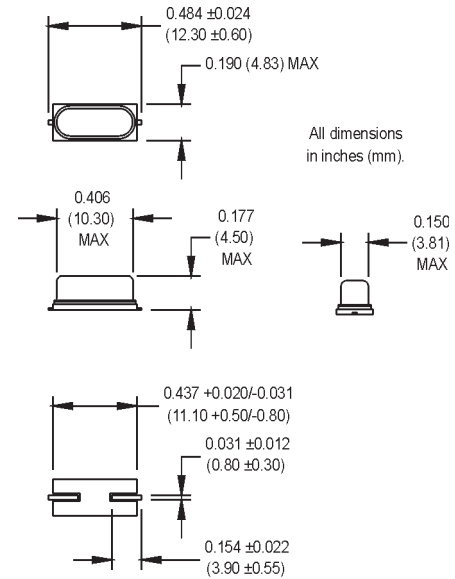
Order by:

***ATSM-49-R 00.0000 MHz** (Frequency)
 -R signifies RoHS compliant part

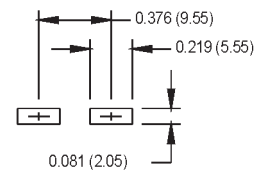
For Custom P/N:

M1001Sxxx - Contact factory for datasheet

Equivalent Series Resistance (ESR), Max.	
Fundamental (AT-cut)	
3.579 to 3.999 MHz	200 Ω
4.000 to 4.999 MHz	150 Ω
5.000 to 5.999 MHz	120 Ω
6.000 to 9.999 MHz	100 Ω
10.000 to 13.999 MHz	80 Ω
14.000 to 40.000 MHz	50 Ω
Fundamental (BT-cut)	Note 1
24.000 to 50.000 MHz	100 Ω
Third Overtones (AT-cut)	
25.000 to 39.999 MHz	100 Ω
40.000 to 72.000 MHz	80 Ω



SUGGESTED SOLDER PAD LAYOUT



MtronPTI ATSM-49 Options	
Order by part number listed followed by the desired frequency.	
Part No.	Description
520-010-R	Fundamental frequencies, -20°C to +70°C operating temperature
520-230-R	Fundamental frequencies, 20pF load capacitance
520-260-R	Fundamental frequencies, 32pF load capacitance
520-910-R	3 rd overtone frequencies, 18 pF load capacitance
520-930-R	3 rd overtone frequencies, 20pF load capacitance
520-960-R	3 rd overtone frequencies, 32pF load capacitance
522-210-R	Fundamental frequencies, -40°C to +85°C operating temperature
522-215-R	3 rd overtone frequencies, -40°C to +85°C operating temperature
Balance of specifications same as shown in "Electrical Specifications"	
Contact the factory for options not listed above.	

	PARAMETER	Symbol	Min.	Typ.	Max.	Units	Condition/Notes	
Electrical Specification	Frequency Range	F	3.579545		72	MHz		
	Frequency Tolerance	F/F			±30	ppm		
	Frequency Stability	ΔF/F			±50	ppm		
	Operating Temperature	T _A	-10		+70	°C		
	Storage Temperature	T _S	-55		+125	°C		
	Aging 1 st Year Thereafter (per year)				+3 +5	ppm ppm	Up to 3 rd year	
	Load Capacitance	C _L		18		pF	See Note 2	
	Shunt Capacitance	C _O			7	pF		
	ESR			See ESR Table				
	Drive Level	D _L	25	100	500	μW		
	Insulation Resistance	I _R	500			MΩ		
	Environmental	Aging	Internal Specification, 168 hrs. at +55°C					
		Physical Dimensions	MIL-STD-883, Method 2016					
Shock		MIL-STD-202, Method 213 Condition C, 100 g						
Vibration		MIL-STD-202, Methods 201 & 204, 10 g from 10-2000 Hz						
Thermal Cycle		MIL-STD-883, Method 1010, Condition B, -55°C to +125°C						
Gross Leak		MIL-STD-202, Method 112, 30 sec. Immersion						
Fine Leak		MIL-STD-202, Method 112, 1 x 10 ⁻⁸ atmcc/sec. min.						
Resistance to Solvents		MIL-STD-883, Method 2015, Three 1 minute soaks						
Max Soldering Conditions	See solder profile							

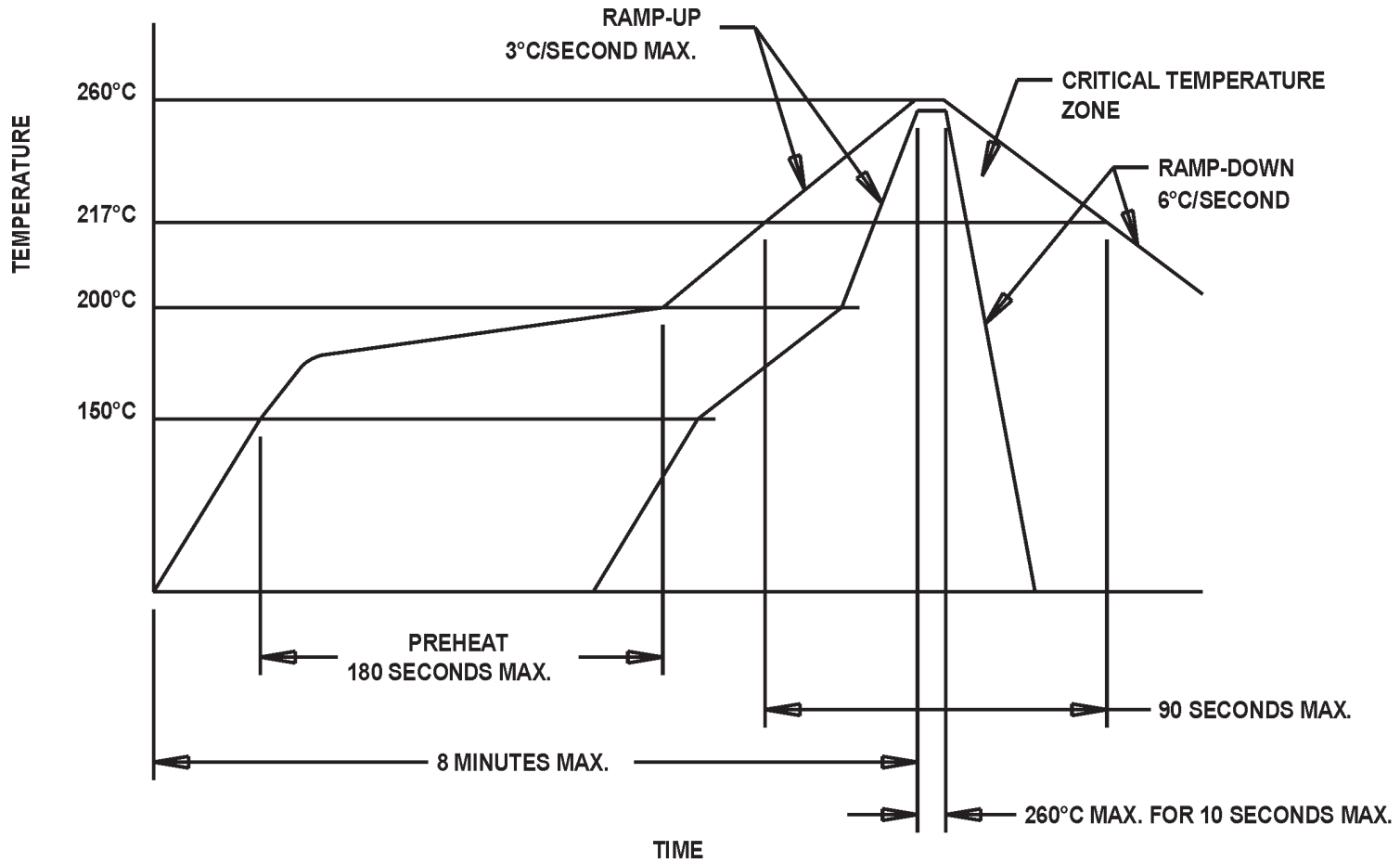
Note 1: BT Cut fundamentals from 24.000 to 40.000 MHz have a tolerance of ±50 ppm and 100 ppm stability. Order by P/N 471-010-R-Frequency.

Note 2: Series resonant designated by "SR" prefix (ie., SRATSM-49-R).

MtronPTI reserves the right to make changes to the product(s) and service(s) described herein without notice. No liability is assumed as a result of their use or application.

Please see www.mtronpti.com for our complete offering and detailed datasheets. Contact us for your application specific requirements: MtronPTI 1-800-762-8800.

MtronPTI Lead Free Solder Profile



MtronPTI reserves the right to make changes to the product(s) and service(s) described herein without notice. No liability is assumed as a result of their use or application.

Please see www.mtronpti.com for our complete offering and detailed datasheets. Contact us for your application specific requirements: MtronPTI 1-800-762-8800.